

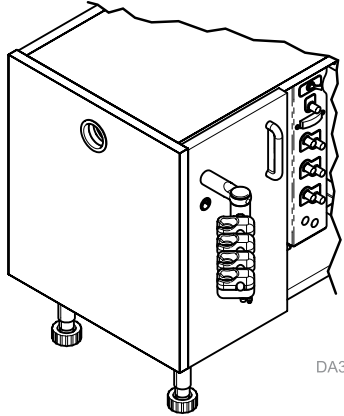
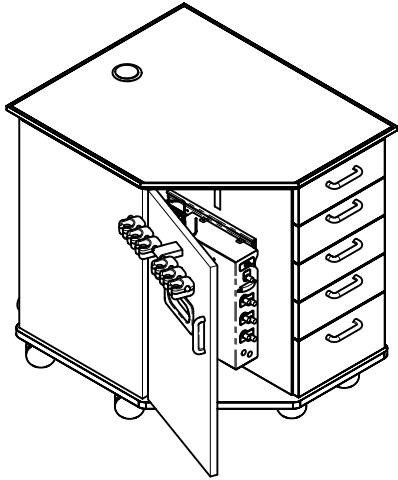


Tubing / Wiring Diagrams: Procenter Delivery Systems (Cabinet Mounted Specialty)

Attention
This document contains wiring and/or tubing diagrams for the models listed in the table below. Locate the desired model / serial number, then click on the blue text to view the desired diagram.

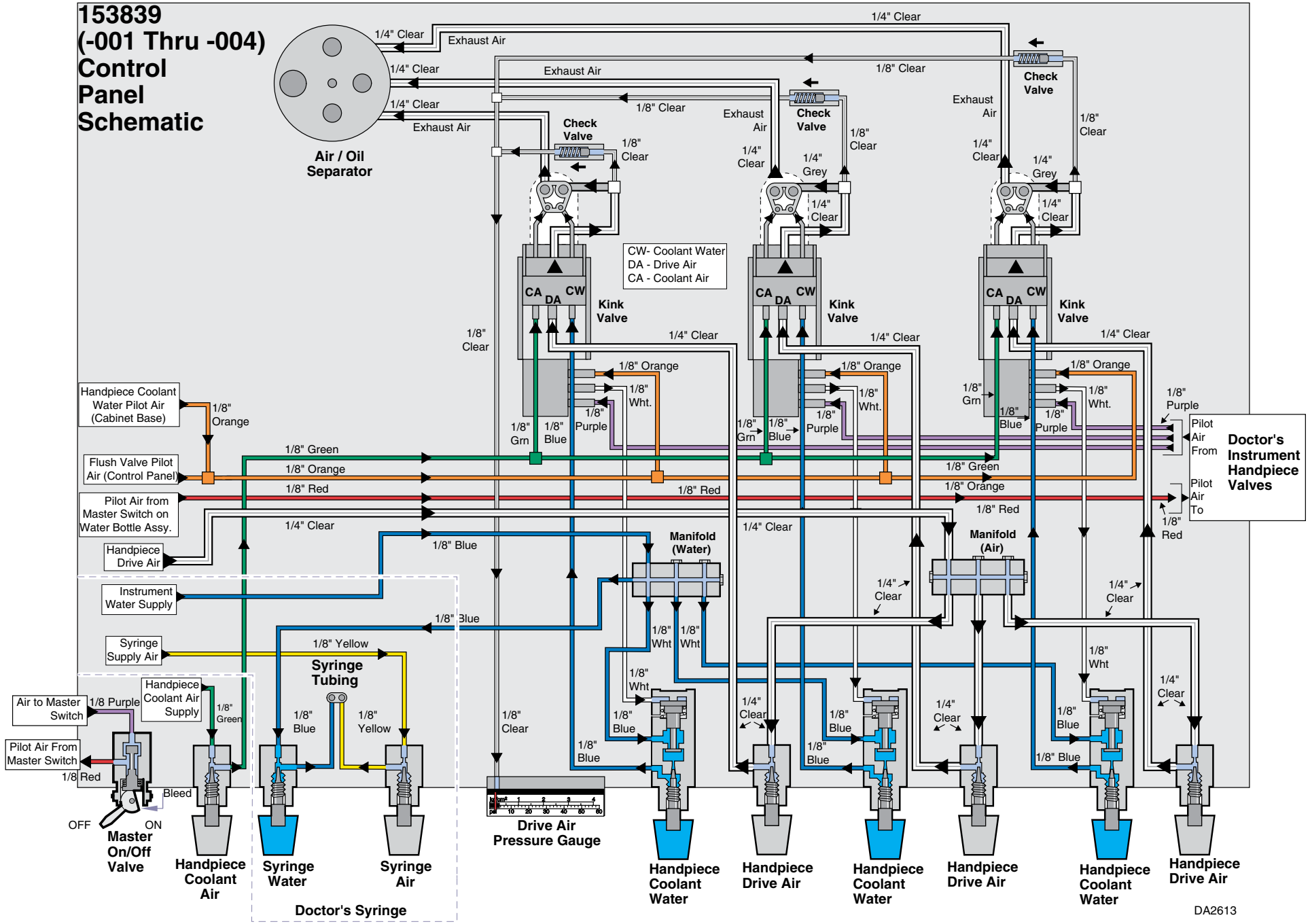
Description:	Refer to Page:
Control Panel Tubing	2
Water Bottle Tubing	3*
Supply Connections (w/o Water Bottle)	4
Supply Connections (w/ Water Bottle)	5*
Umbilicals	6
Color Abbreviation Chart	7

* Serial number break / multiple pages



DA3854i

153839 (-001 Thru -004) Control Panel Schematic

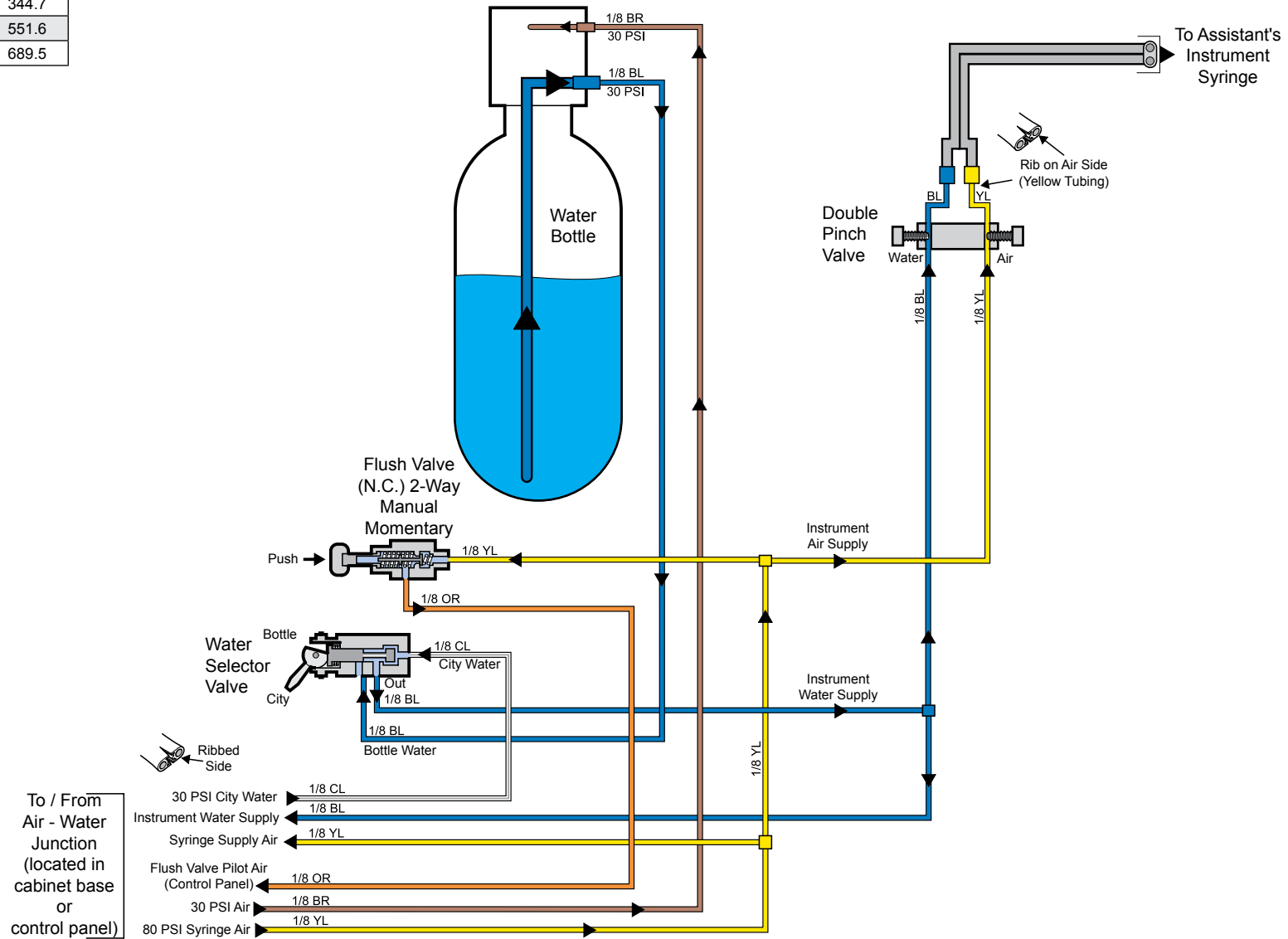


Description	Serial Numbers:
Control Panel Tubing	all

TP209 Rev. A

PSI	kpa
30	206.8
50	344.7
80	551.6
100	689.5

153839 (-001 thru -004)
Water Bottle Assembly

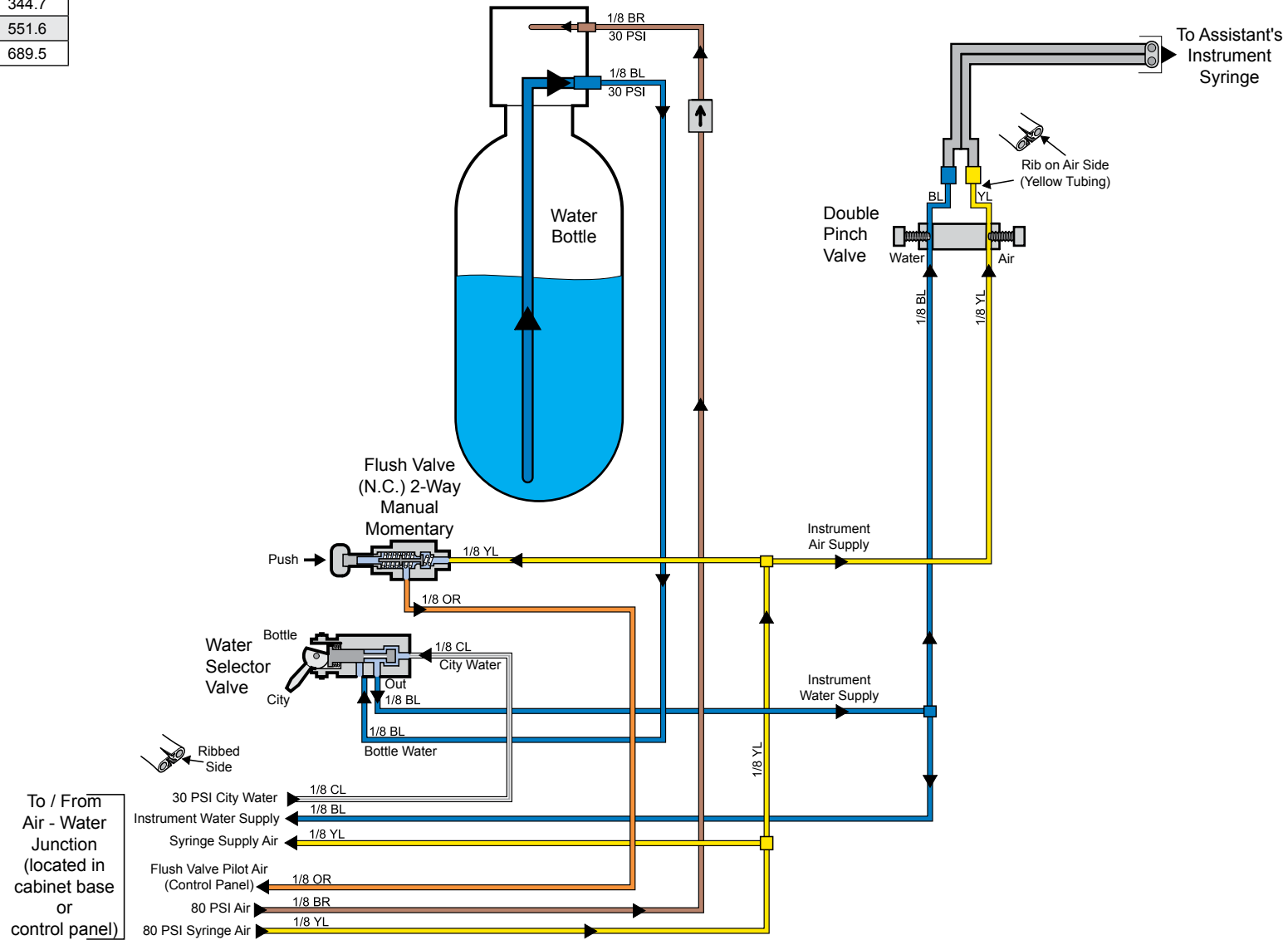


DA3224i

Description	Serial Numbers:
Water Bottle Tubing	V988068 thru V1349187

PSI	kpa
30	206.8
50	344.7
80	551.6
100	689.5

153839 (-001 thru -004)
Water Bottle Assembly

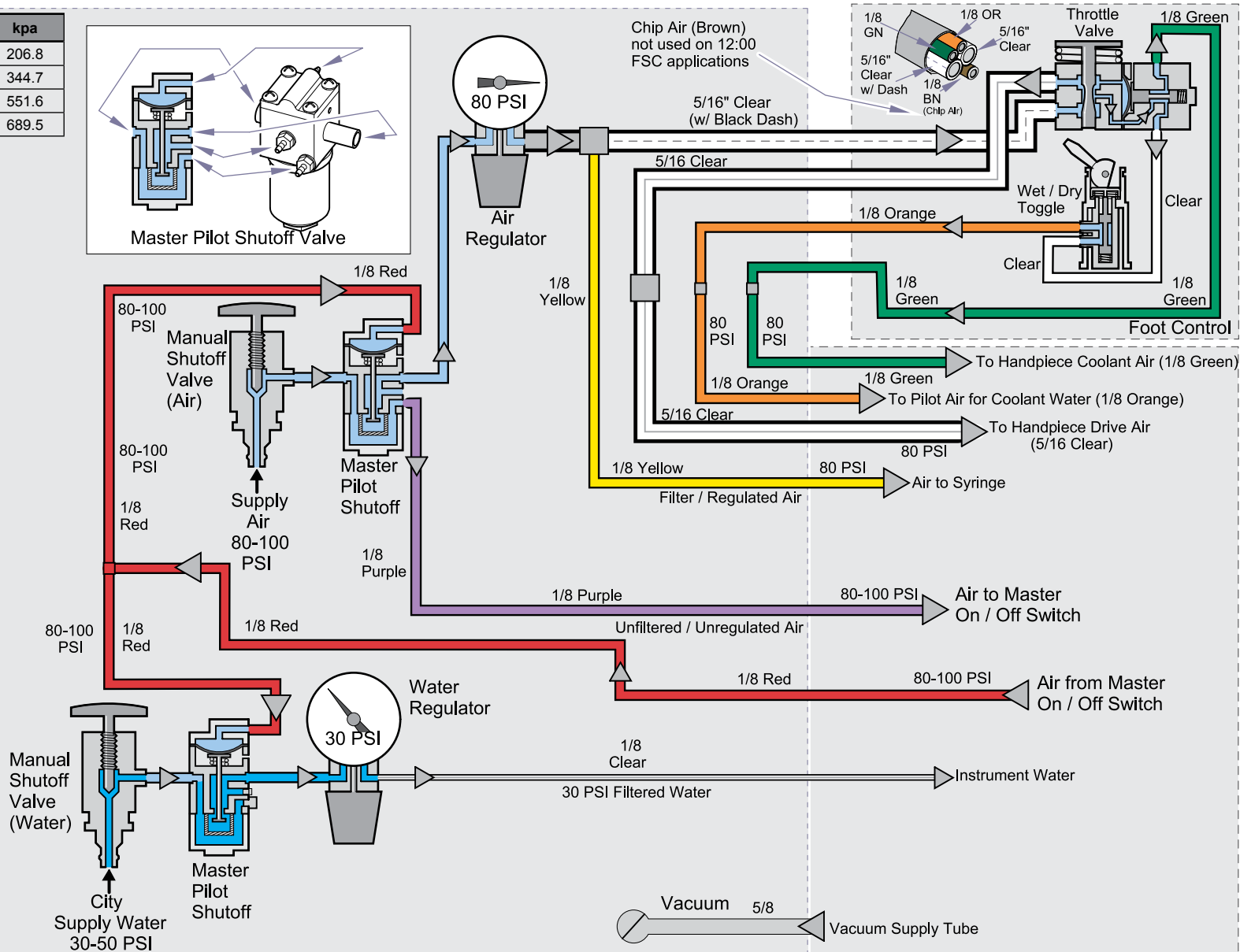
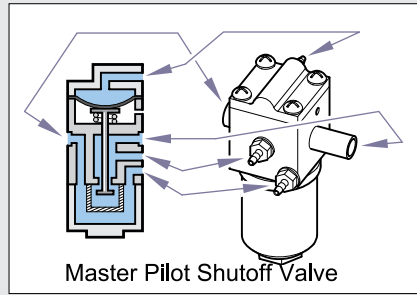


DA3224-1i

Description	Serial Numbers:
Water Bottle Tubing	V1349188 thru Present

TP209 Rev. A

PSI	kpa
30	206.8
50	344.7
80	551.6
100	689.5



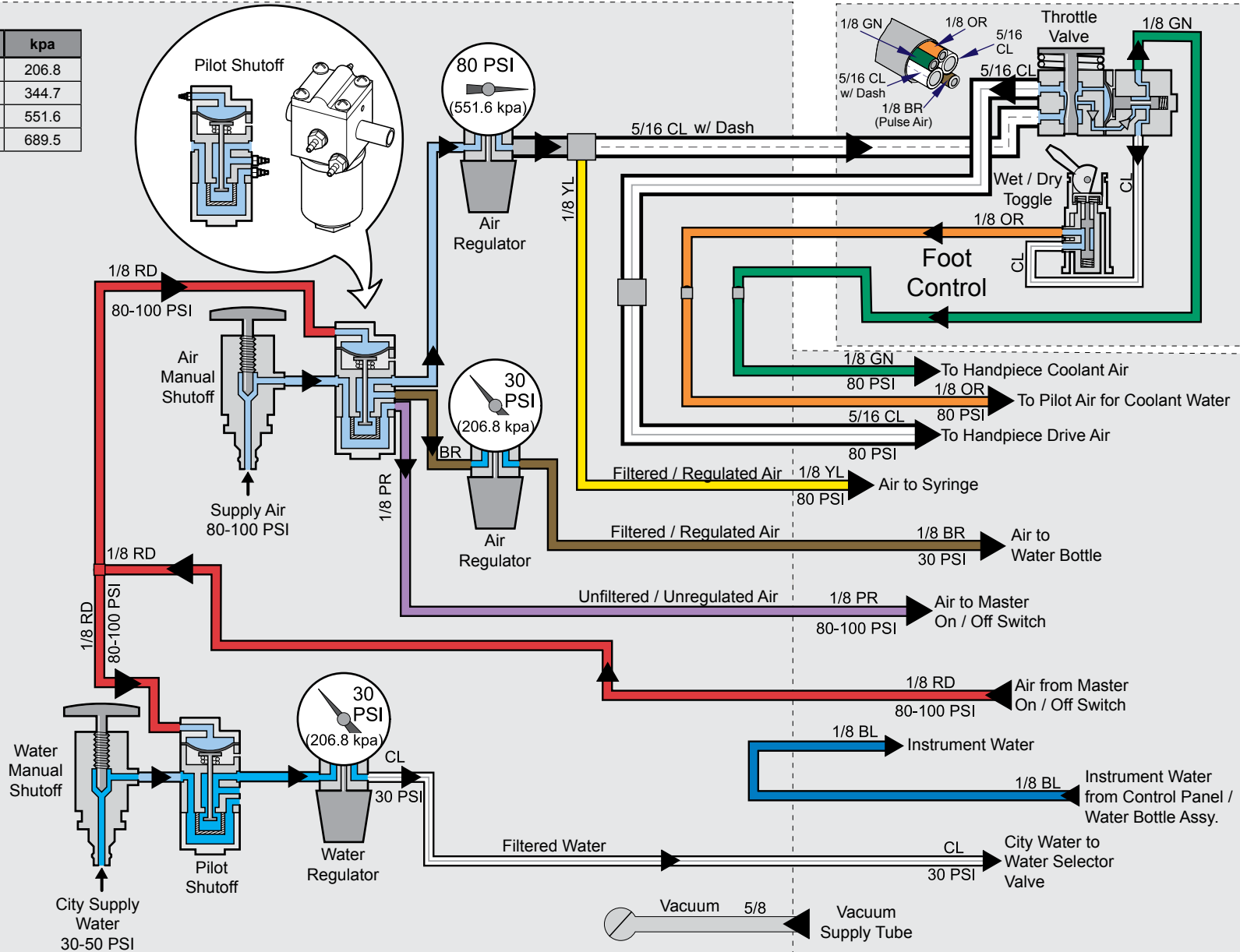
**153839 (-001 thru -004) without Water Bottle Option with Doctors Controls
Air / Water Supply (located in cabinet base)**

DA2510-1i

Description	Serial Numbers:
Supply Connections (w/o Water Bottle)	all

TP209 Rev. A

PSI	kpa
30	206.8
50	344.7
80	551.6
100	689.5



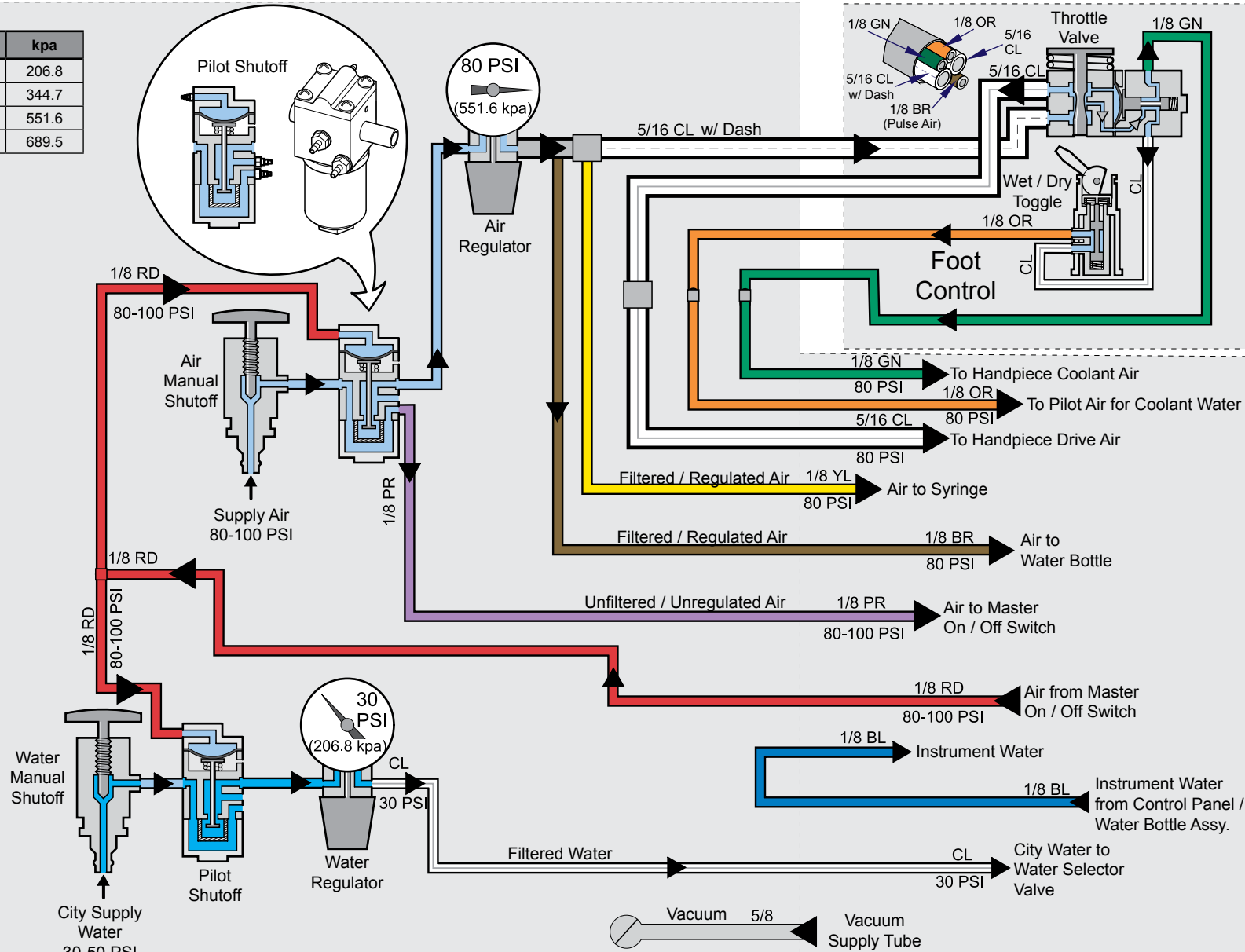
153839 (-001 thru -004 with Water Bottle Option with Doctors Controls
Air / Water Supply [located in cabinet base])

DA3223i

Description	Serial Numbers:
Supply Connections (w/ Water Bottle)	V988068 thru V1349187

TP209 Rev. A

PSI	kpa
30	206.8
50	344.7
80	551.6
100	689.5



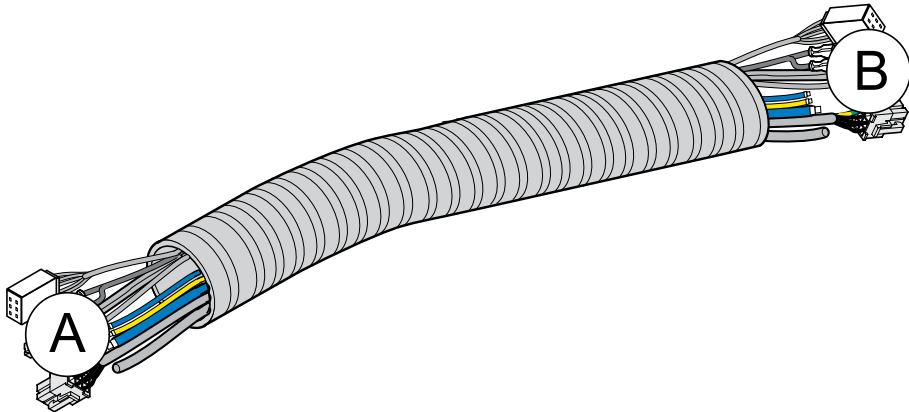
153839 (-001 thru -004 with Water Bottle Option with Doctors Controls
Air / Water Supply [located in cabinet base])

DA3223-1i

Description	Serial Numbers:
Supply Connections (w/ Water Bottle)	V1349188 thru Present

TP209 Rev. A

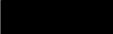










Umbilicals



TP209 Rev. A

Delivery System	Connects: (A / B)	Length	Assembly Number
<i>Procenter: Cabinet Mtd. Specialty</i>	<i>Instrument Holder / Control Panel</i>	-	<i>029-5099-00</i>

Color Abbreviation Chart

	Item	Color (English)	Farbe (Deutsch)	Couleur (Français - Europe)	Color (español europeo)	Colore (italiano)	Color (others)
	BK	Black	Schwarz	Noir	Negro	Nero	
	BL	Blue	Blau	Bleu	Azul	Blu	
	BR	Brown	Braun	Marron	Marrón	Marrone	
	CL	Clear	Durchsichtig	Incolore	Transparente	Trasparente	
	GN	Green	Grün	Vert	Verde	Verde	
	GY	Grey	Grau	Gris	Gris	Grigio	
	OR	Orange	Orange	Orange	Naranja	Arancione	
	PR	Purple	Purpur	Pourpre	Morado	Porpora	
	CL/PR	Clear Purple	Durchsichtig Purpur	Incolore Pourpre	Transparente Morado	Trasparente Porpora	
	RD	Red	Rot	Rouge	Rojo	Rosso	
	WH	White	Weiß	Blanc	Blanco	Bianco	
	YL	Yellow	Gelb	Jaune	Amarillo	Giallo	
	PK	Pink	Pink	Rose	Rosa	Rosa	
	TN	Tan	Hellbraun	Fauve	Marrón claro	Tanè (marrone scuro)	
	BK/WH	Black/White	Schwarz / Weiß	Noir / Blanc	Negro / Blanco	Bianco / Nero	
	BL/WH	Blue/White	Blau / Weiß	Bleu / Blanc	Azul / Blanco	Blu / Bianco	
	BR/WH	Brown/White	Braun / Weiß	Marron / Blanc	Marrón / Blanco	Marrone / Bianco	
	CL/BK	Clear / Black	Durchsichtig / Schwarz	Incolore / Noir	Transparente / Negro	Trasparente / Nero	
	GN/WH	Green / White	Grün / Weiß	Vert / Blanc	Verde / Blanco	Verde / Bianco	
	GN/YL	Green / Yellow	Grün / Gelb	Vert / Jaune	Verde / Amarillo	Verde / Giallo	
	OR/WH	Orange / White	Orange / Weiß	Orange / Blanc	Naranja / Blanco	Arancione / Bianco	
	PR/WH	Purple / White	Purpur / Weiß	Pourpre / Blanc	Morado / Blanco	Porpora / Bianco	
	RD/WH	Red / White	Rot / Weiß	Rouge / Blanc	Rojo / Blanco	Rosso / Bianco	
	VI/WH	Violet / White	Violett / Weiß	Violet / Blanc	Violeta / Blanco	Viola / Bianco	
	YL/WH	Yellow / White	Gelb / Weiß	Jaune / Blanc	Amarillo / Blanco	Giallo / Bianco	
	YL/GN	Yellow / Green	Gelb / Grün	Jaune / Vert	Amarillo / Verde	Giallo / Verde	
	YL/BK	Yellow / Black	Gelb / Schwarz	Jaune / Noir	Amarillo / Negro	Giallo / Nero	