



Pre-installation Guide for VetPro® 5000 Dental System

Note

Please allow time for basic equipment training after the installation (approx 10 minutes) The complete training is available in-service. To schedule an in-service please contact Vet Customer Service at Midmark, 1-800-Midmark (1-800-643-6275).

Name of Clinic _____ Contact Name _____

Address _____

Phone _____ Email: _____

1. What method will the delivery system be mounted? (Wall, cabinet, or table) _____

2. Will a junction box or solo unit be utilized? _____

Note: Outlet must be within 5 ft of the Solo unit; If a junction box is used please refer to the junction box template.

3. Is power available? _____

Note: Review power requirements within this pre-install guide.

4. If "NO" to Q.3 what date will the power be available? _____

5. Will this be a dedicated line? _____ **Midmark strongly recommends a dedicated line.**

Note: Electrician will need a template to determine exact location for the electrical wiring to be installed when using a junction box.

6. Is there anything that might interfere with the dental system in its home position? _____

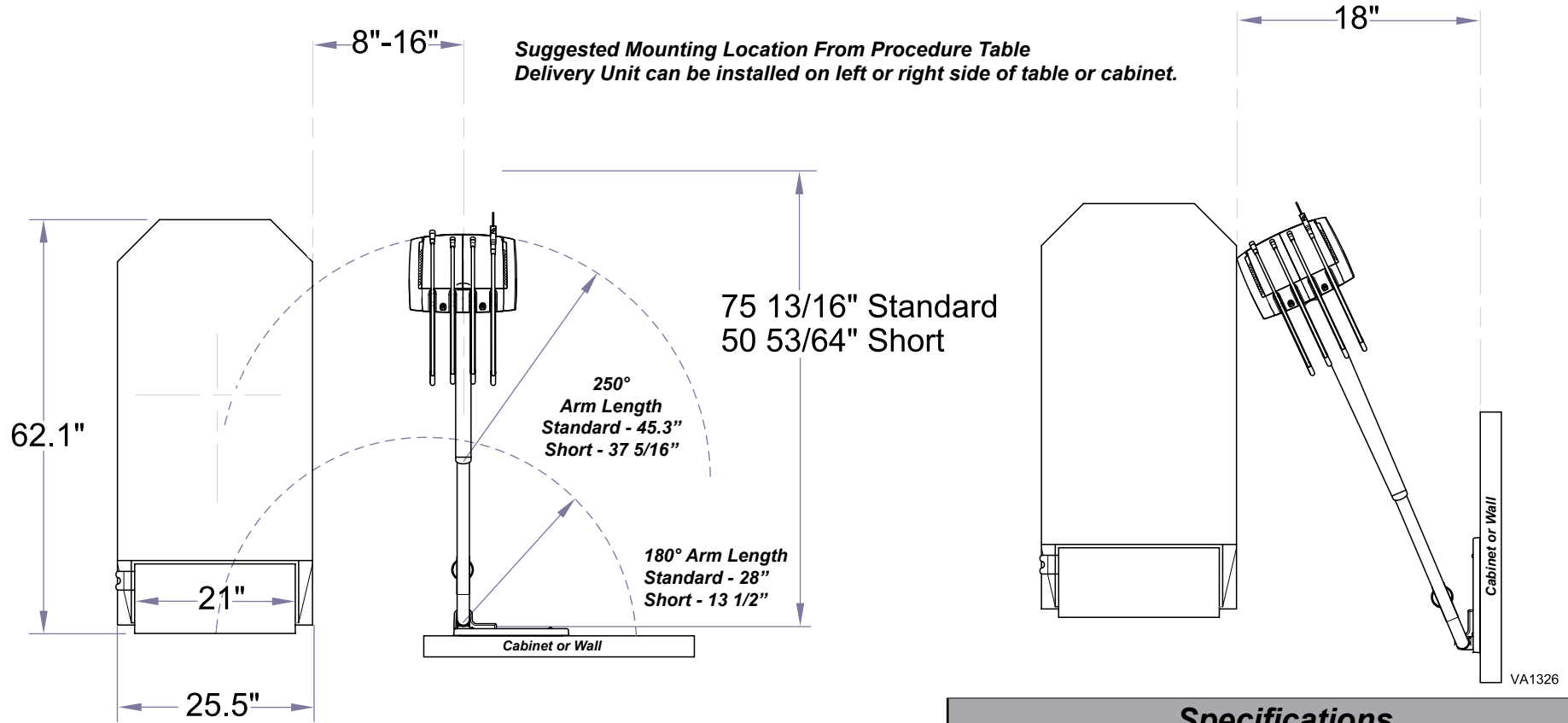
Refer to minimum space requirements in this guide.

7. Is the stud material wood or metal? _____

Note: Site must have two studs available to complete the install for wall mounted units.

TP200 Rev. A

Space Requirements



Note

WHIP head folded against wall measures 30.6" from center of main axis to outermost point.

Mounting Requirements

Mounting Structure Note: The mounting structure must be capable of supporting the weight and torque listed below without deflection.

Unit / Arm Assembly	Maximum
Weight	50lbs (22.6 kgs)
Torque	170.8 ft. lbs. (231.5 N•M)

Note: To prevent unit from drifting, the mounting plate must deflect no more than 1/16" (1.6 mm) over a 12" (30.5) distance.

Specifications

Water Module

Reservoir	One - 1 Liter
City Water	Toggled with Reservoir
Pressurized System	30 - 50 PSI
Aseptic	Non-Retracting HPC Coolant
Handpiece Flush System	Manual

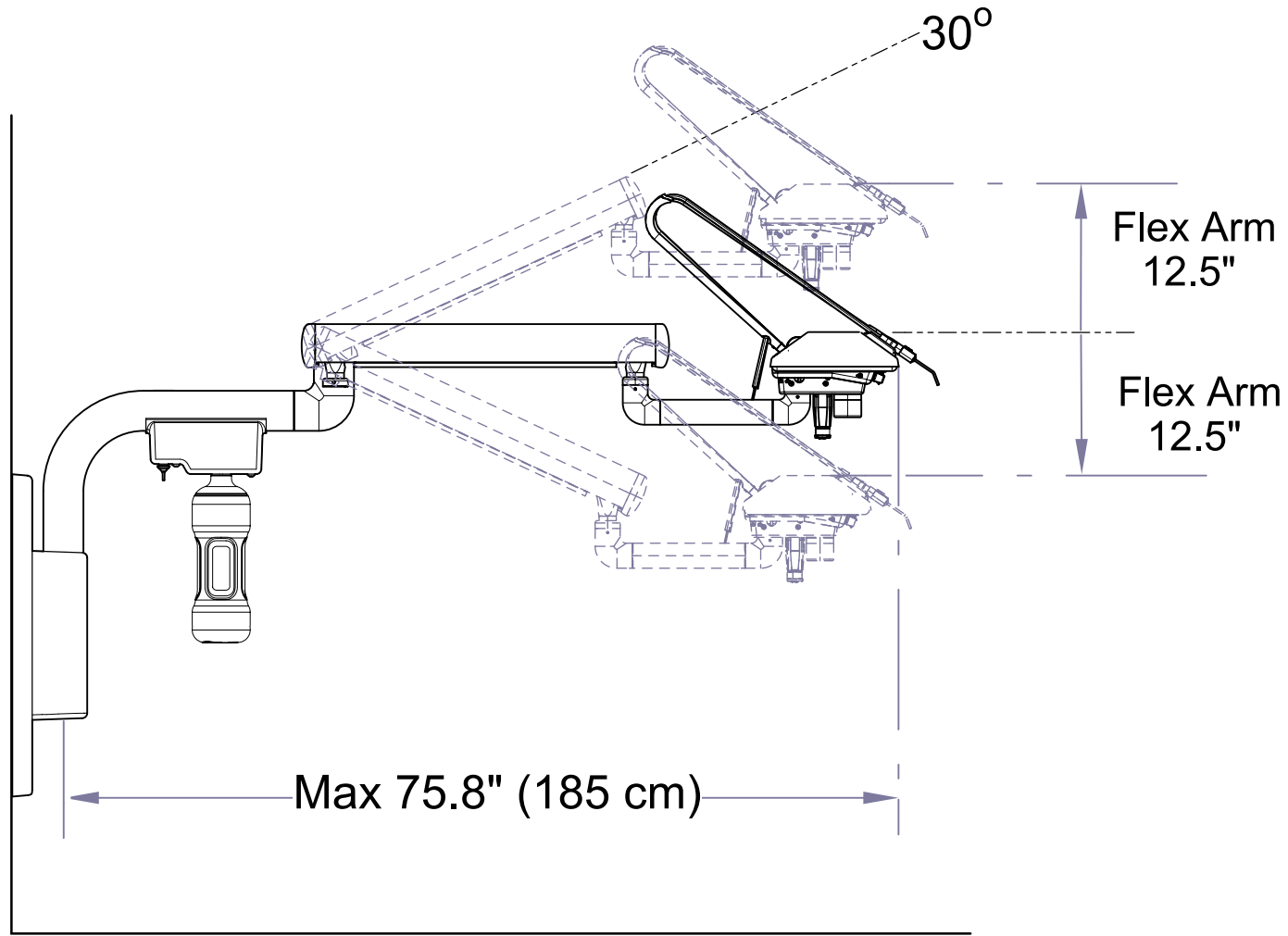
Recommended Pressure Settings (Junction Box)

"City" Water Regulator Valve	30 PSI
Air Regulator Valve	80 PSI
Water Bottle Regulator Valve	30 PSI

Electrical

Voltage	115 VAC
Circuit Breaker Protection	15 amps
Frequency	60 Hz

Range of Motion



TP200 Rev. A

Junction Box



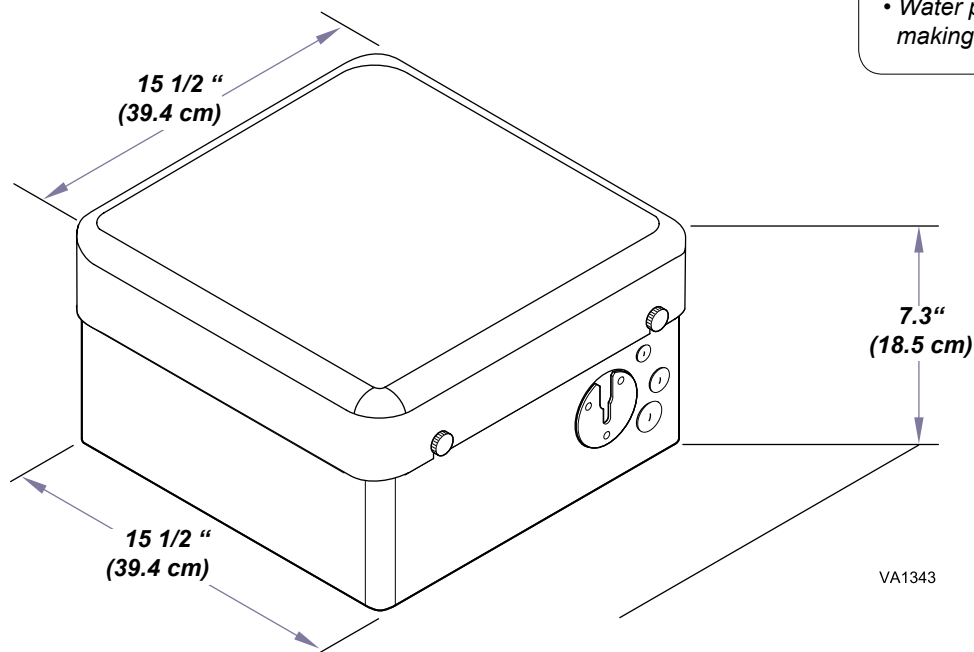
Equipment Alert

When installing 115 VAC receptacle in the junction box, the ground must be positioned as shown on diagram/template (in this manual) to accommodate power cord.

Electrical Requirements

- 115 VAC models only - Grounding reliability can only be achieved if this equipment is connect to an equivalent receptacle marked Hospital Grade (NEMA 5-15R, HOSPITAL GRADE).
- 1/2" (13mm) conduit box with quad receptacle.
- Wire box per local codes and regulations.

ATTENTION: Junction Box Must be Positioned Within Reach of the Umbilical.



VA1343

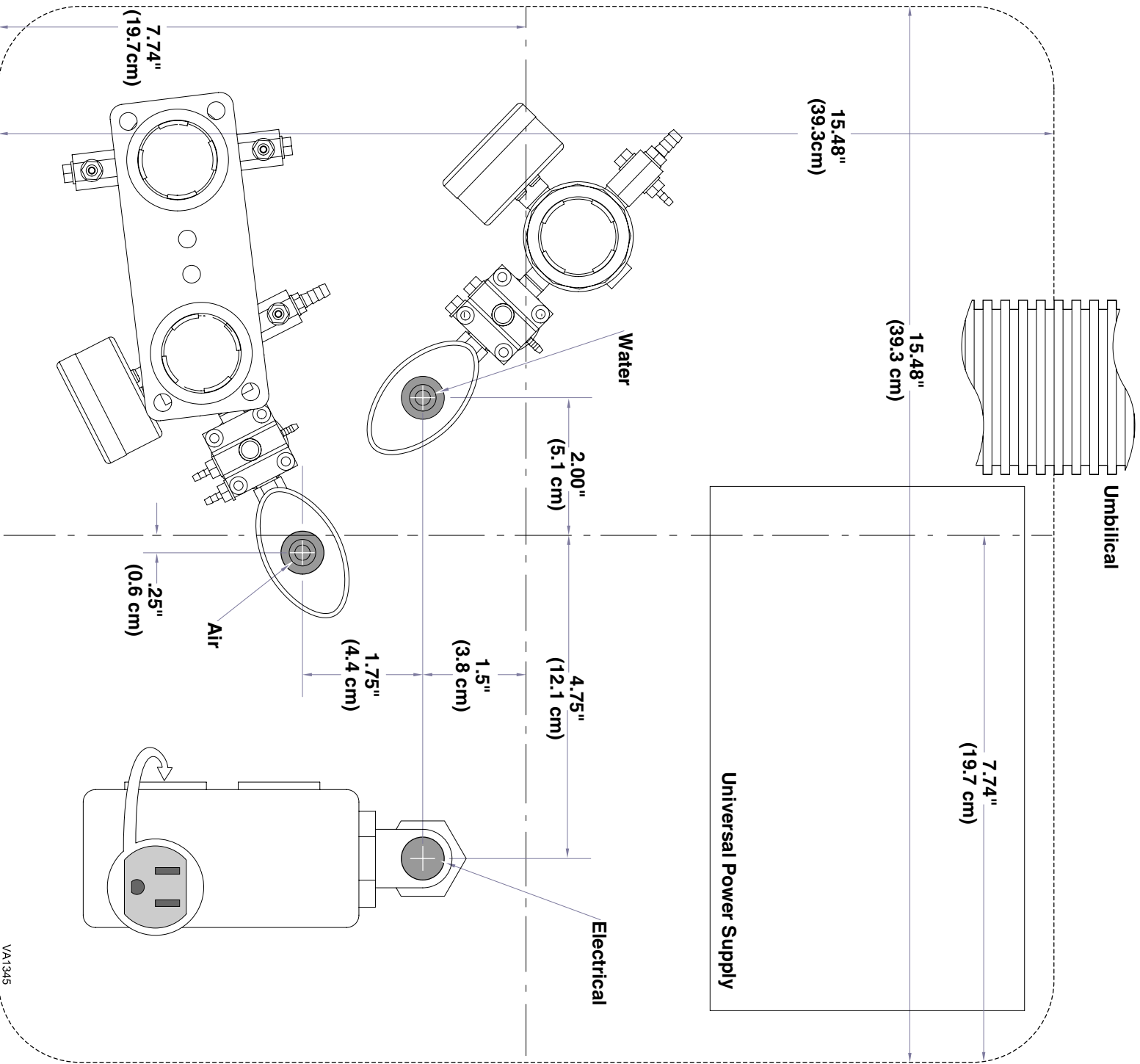
Water Supply Requirements

- 1/2" (13 mm) pipe (supplied by contractor) protruding 2" (51 mm) above finished surface of floor.
- Manual shut off valve (supplied by Midmark) to be installed by contractor.
- Water pressure must be 30-50 (max.) PSI at the shut-off valve. Flush water plumbing clean before making final connections to dental equipment.

Air Supply Requirements

- 1/2" (13 mm) pipe (supplied by contractor) protruding 2" (51 mm) from finished surface of floor.
- Manual shut off valve (supplied by Midmark) to be installed by contractor.
- Air pressure must be 80 - 100 (max.) PSI at the shut-off valve.
- Flush air plumbing clean before making final connections to dental equipment.

Junction Box Template - Not to Scale
Note: Full Size Templates is included with Junction Box

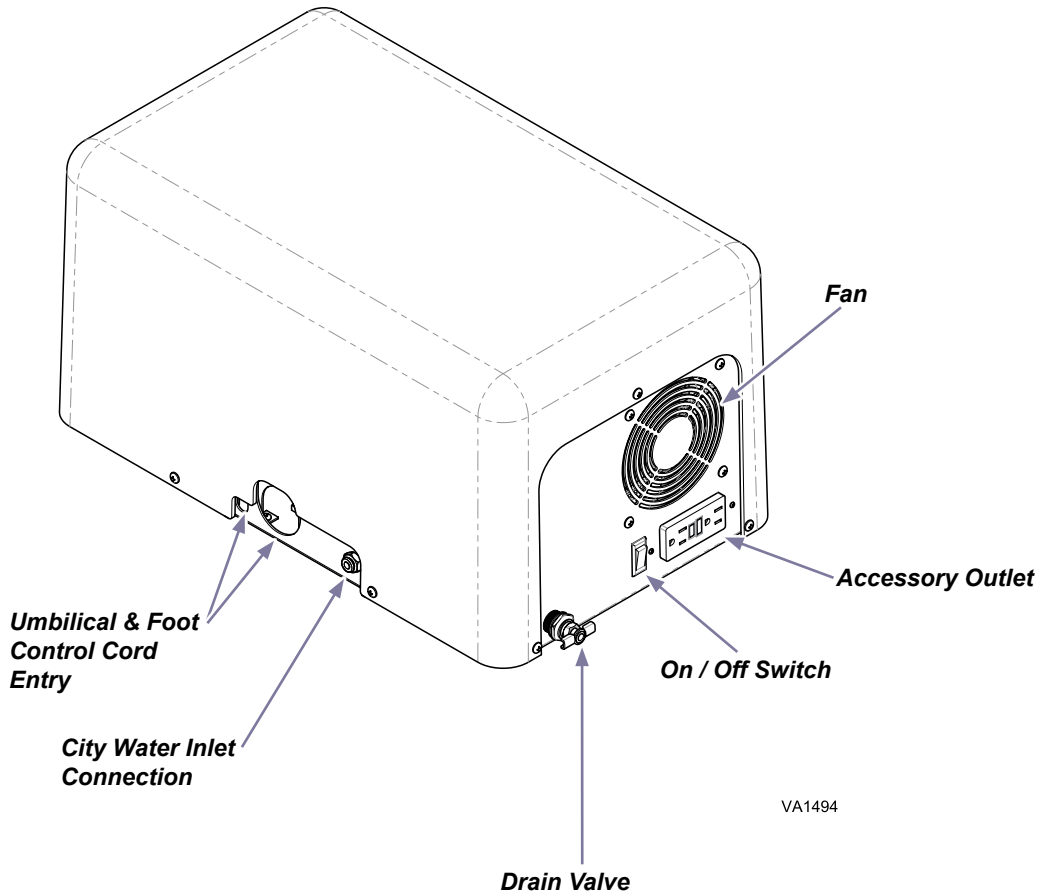


VAT345

003-1913-00 Rev A

TP200 Rev. A

Solo



Specifications

Dimensions	
Width	12.75 inches (32.4 cm)
Length	20.89 inches (53 cm)
Height	11.40 inches (29 cm)
Weight	54 lbs (24.5 kg)
Shipping Weight	61 lbs (27.7 kg)
Electrical	
Voltage	115 VAC
Frequency	60 Hz
Circuit Breaker Protection	15 amps
Hospital Grade Wiring	NEMA type: 14 and 18 AWG
Accessory Outlet (Side Mounted, User Specs)	GFCI 5 amps, 125 VAC
Receptacles (Internal)	NEMA Outlet, Snap AC Connector, 15 amp, 125 VAC
Plug	15 amps, 125 VAC
Power Cord Length	5 ft. NEMA 5-15R
Compressor	
Motor	Oil Free 1/3 HP
Working Pressure	80 - 100 PSI
Flow Rate	2.6 scfm @ 45 PSI
Sound Level (full load)	< 55 dB
Air Tank	1 gal 3.79 Liter
Water Connection	
Water Inlet Length	10 ft. (3 m)
Water Inlet Thread Size	3/8" FNPT
Saddle Valve Adapter Length	2 ft. (.61 m)
Saddle Clamp Range	3/8" - 1 5/16" OD Copper Pipe