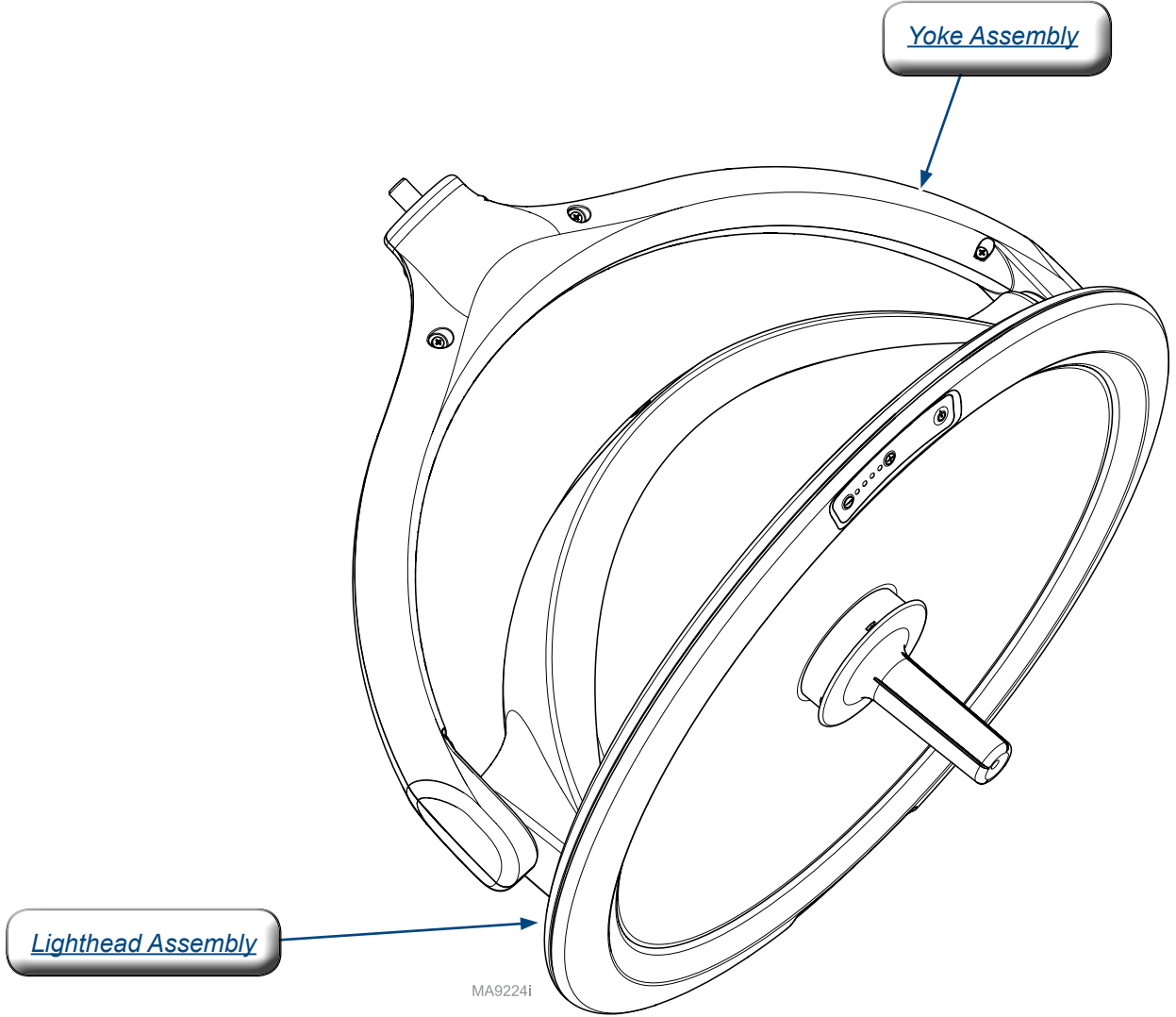
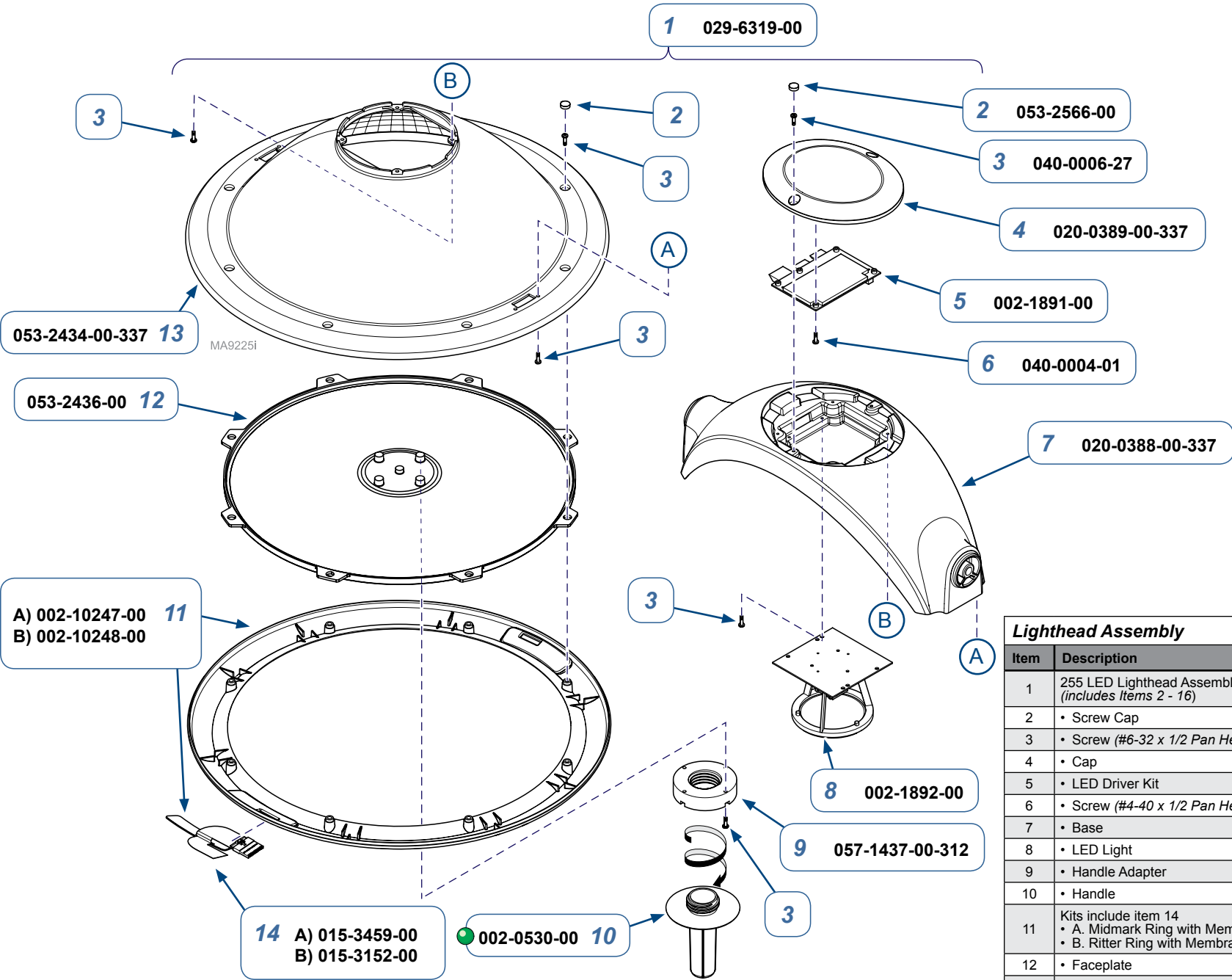


# 255 LED Lighthouse / Yoke

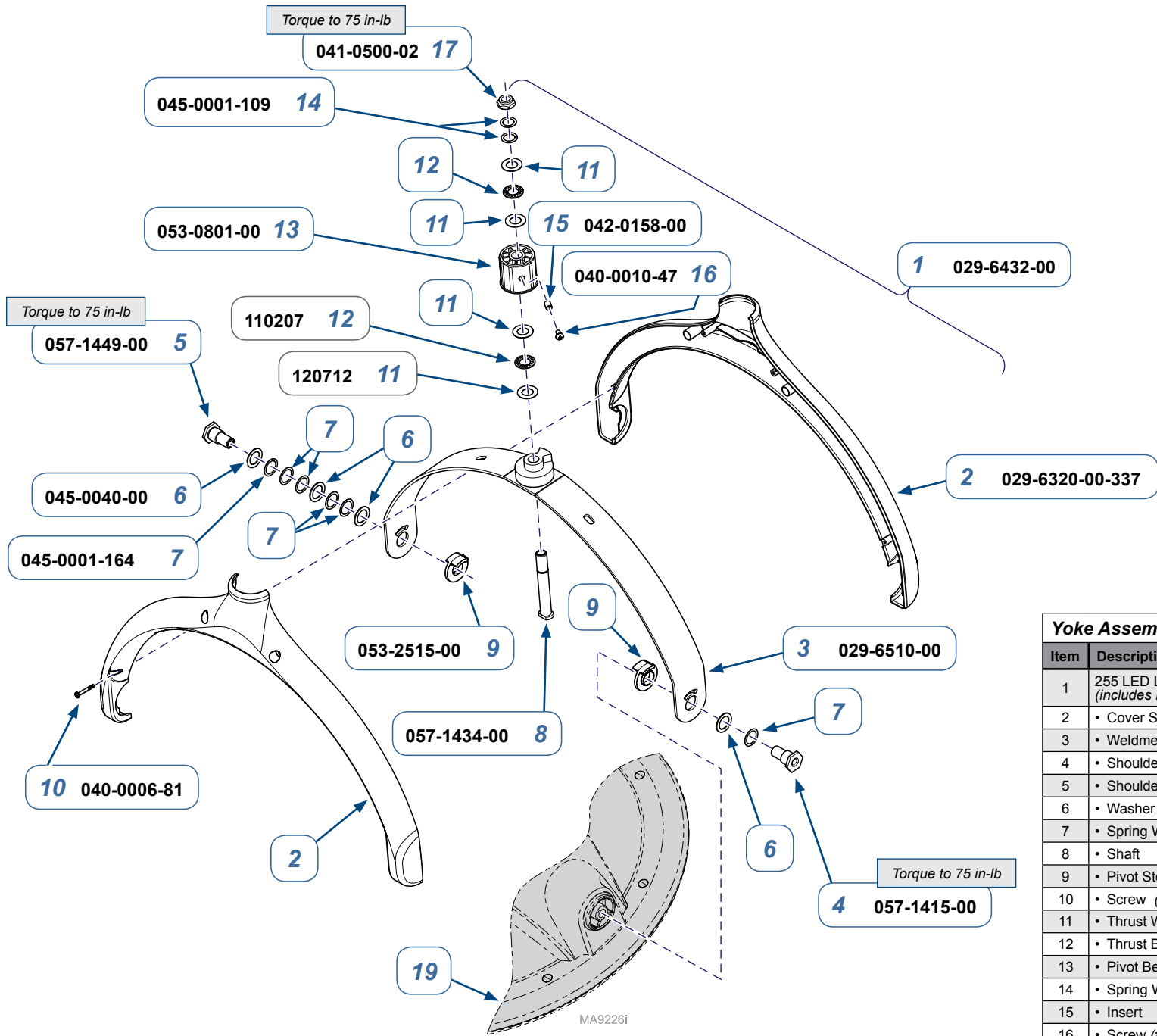


TP205 Rev. B



Lighthouse Assembly		
Item	Description	Qty.
1	255 LED Lighthouse Assembly (includes Items 2 - 16)	1
2	• Screw Cap	10
3	• Screw (#6-32 x 1/2 Pan Head)	26
4	• Cap	1
5	• LED Driver Kit	1
6	• Screw (#4-40 x 1/2 Pan Head)	4
7	• Base	1
8	• LED Light	1
9	• Handle Adapter	1
10	• Handle	1
11	Kits include item 14 • A. Membrane Switch (Midmark models) • B. Membrane Switch (Ritter models)	1
12	• Faceplate	1
13	• Reflector	1
14	Refer to " <a href="#">Wiring Diagrams</a> " • A. Membrane Switch (Midmark models) • B. Membrane Switch (Ritter models)	Ref
15	• Cable Tie (015-0013-02, Attach to inside Item 4)	1
16	• Mounting Platform (123058, Attach to Item 4)	1

<b>Page Applies To Model Numbers:</b>	<b>Serial Numbers:</b>
255	all



Yoke Assembly		
Item	Description	Qty.
1	255 LED Light Yoke Assembly (includes Items 2 - 18)	1
2	• Cover Set	1
3	• Weldment	1
4	• Shoulder Screw (RH with hole)	1
5	• Shoulder Screw (LH w/o hole)	1
6	• Washer (5/8")	4
7	• Spring Washer (5/8", Triple Wave)	6
8	• Shaft	1
9	• Pivot Stop	2
10	• Screw (#6-20 x 1")	4
11	• Thrust Washer	4
12	• Thrust Bearing	2
13	• Pivot Bearing	1
14	• Spring Washer	2
15	• Insert	2
16	• Screw (#10-24 x 3/8")	2
17	• Nut	1
18	• Lubricant (Part # 185171, Not Shown)	AR
19	Refer to: <a href="#">Lighthouse Assembly</a>	Ref

<b>Page Applies To Model Numbers:</b>	<b>Serial Numbers:</b>
255	all