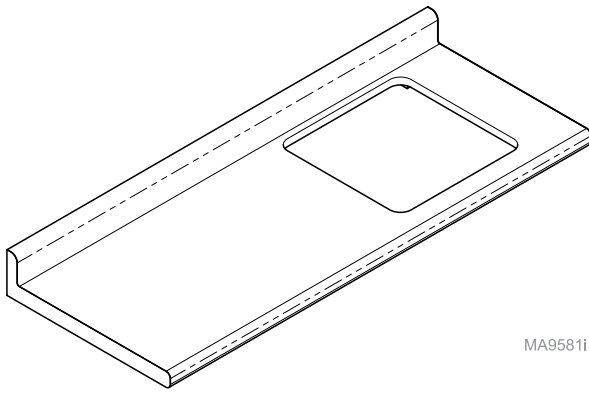


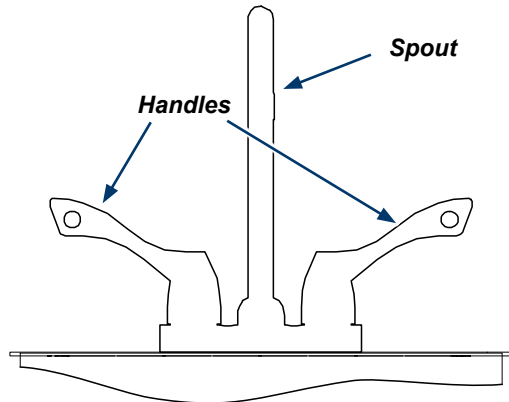
MA9515i



MA95811

Countertop:

- *Post Form Laminate*



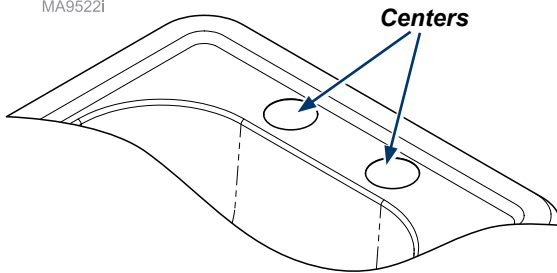
MA9522i

Sink / Faucet:

CFT-3GS4WB-2

Manufacturer: Moen #8938

- Hole Deck Mount, 4" Centers (2)
- 4.31" Wristblade Handles
- 3.5" Swivel Gooseneck Spout



Exam - E4

Cabinet:

- Powdercoated 18 gauge cold rolled steel; multi-piece shell and frame design; riveted and press joined (Tog-L-Loc®)

Door Construction:

- *Front/Back:* 12 Mil. Seamless polymer-covered front; melamine back (Frost in color).
- *Core:* 45 lb. LEED IEQ compliant MDF board, 3/4 inch thick. All composite wood material to meet CARB P2 emission std of CARB reg. 91320.2.
- *Hinges:* Manufacturer's standard Blum®, concealed, self-closing, 110 deg. opening, nickel-plated metal, clip-on mount, three adjustment points.
- *Pulls:* 128 mm pull offering for Serenity.

Drawers:

- *Deep Drawer Construction:* One piece molded polystyrene drawer bodies w/rounded corners; (Frost in color).
- *File Drawer Construction:* 18 gauge cold rolled steel frame; including suspended file system and file bars.
- *Front/Back:* 12 Mil. Seamless polymer-covered front; melamine back (Frost in color).
- *Core:* 45 lb. LEED IEQ compliant MDF board, 3/4 inch thick. All composite wood material to meet CARB P2 emission std of CARB reg. 91320.2.

Drawers (continued):

- *Slide:* Manufacturer's standard Accuride Aero (100 lb. capacity) ball bearing slides; Accuride Model 3832 (100 lb. capacity) for pullout writing surfaces and waste cans; and heavy duty Accuride Model 3640 (200 lb. capacity) slide for file drawers and heavy duty pull out shelves.
- *Pulls:* 128 mm pull offering for Serenity.

Adjustable Shelving:

- Powdercoated 18 gauge cold rolled steel, painted to match cabinet color; manufacturer's standard die cast zinc support clips.

Locks:

- *Doors:* Manufacturer's standard Timberline, individually mounted, cam style lock removable lock plug; locks keyed alike with two keys per lock.
- *Drawers:* Manufacturer's standard Timberline lock body with removable lock plug with 14 gauge cold rolled steel pivoting lock bar for central lock system; locks keyed alike with two keys per lock.

Accessories & Options (Countertops):

- *Standard Laminate Countertops (Postform):* LEED IEQ compliant particle board core. All composite wood material to meet CARB P2 emission std of CARB regulation 91320.2.
 - *Horizontal:* High pressure laminate surfacing material is .045 inch thick, matte finish.
 - *Plastic Laminate:* Wilsonart; Formica®, as selected.