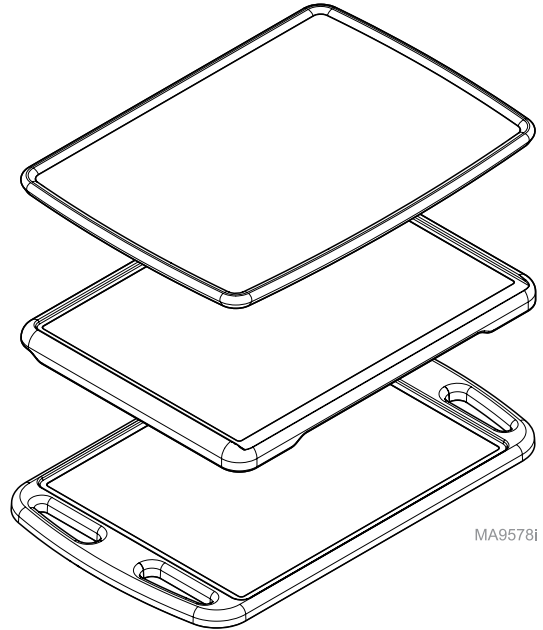


Countertop
(three options listed on right)



MA9521i

MA9578i

Dimension Ranges	
(depth)	18 in
(width including countertop)	27 to 29 in

- Countertop:**
- *Kydex Contour Top (27" w)*
 - *Soft Edge (27" w)*
 - *Soft Edge w/Handle (29" w)*

Mobile - M5
Cabinet:
 • Powdercoated 18 gauge cold rolled steel; multi-piece shell and frame design; riveted and press joined (Tog-L-Loc®)

Door Construction:
 • *Front/Back:* 12 Mil. Seamless polymer-covered front; melamine back (Frost in color).
 • *Core:* 45 lb. LEED IEQ compliant MDF board, 3/4 inch thick. All composite wood material to meet CARB P2 emission std of CARB reg. 91320.2.
 • *Hinges:* Manufacturer's standard Blum®, concealed, self-closing, 110 deg. opening, nickel-plated metal, clip-on mount, three adjustment points.
 • *Pulls:* 128 mm pull offering for Serenity.

Drawers:
 • *Deep Drawer Construction:* One piece molded polystyrene drawer bodies w/rounded corners; (Frost in color).
 • *File Drawer Construction:* 18 gauge cold rolled steel frame; including suspended file system and file bars.
 • *Front/Back:* 12 Mil. Seamless polymer-covered front; melamine back (Frost in color).
 • *Core:* 45 lb. LEED IEQ compliant MDF board, 3/4 inch thick. All composite wood material to meet CARB P2 emission std of CARB reg. 91320.2.

Drawers (continued):
 • *Slide:* Manufacturer's standard Accuride Aero (100 lb. capacity) ball bearing slides; Accuride Model 3832 (100 lb. capacity) for pullout writing surfaces and waste cans; and heavy duty Accuride Model 3640 (200 lb. capacity) slide for file drawers and heavy duty pull out shelves.
 • *Pulls:* 128 mm pull offering for Serenity.

Adjustable Shelving:
 • Powdercoated 18 gauge cold rolled steel, painted to match cabinet color; manufacturer's standard die cast zinc support clips.

Locks:
 • *Doors:* Manufacturer's standard Timberline, individually mounted, cam style lock removable lock plug; locks keyed alike with two keys per lock.
 • *Drawers:* Manufacturer's standard Timberline lock body with removable lock plug with 14 gauge cold rolled steel pivoting lock bar for central lock system; locks keyed alike with two keys per lock.

Casters:
 • Manufacturer's standard Shepherd Caster Corp®, 60 mm nylon or 4" twin wheel design with elastomeric treads, stem mounting; locking wheel.