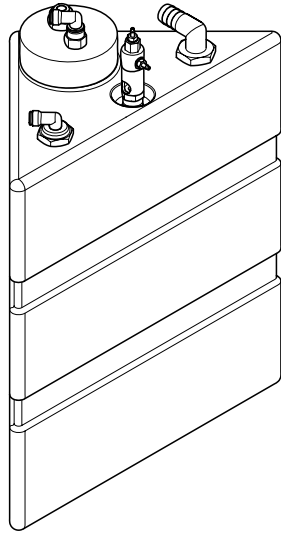
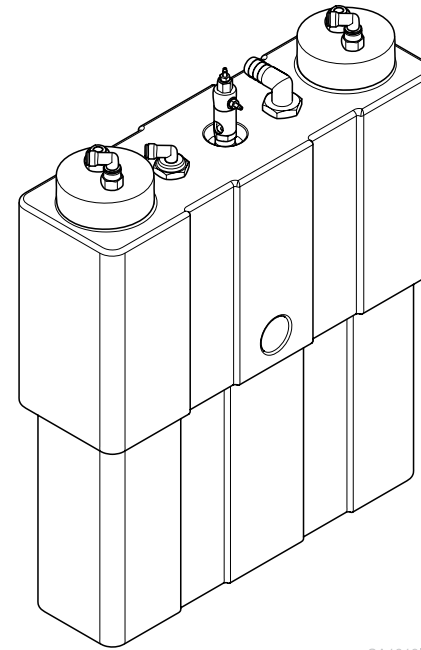


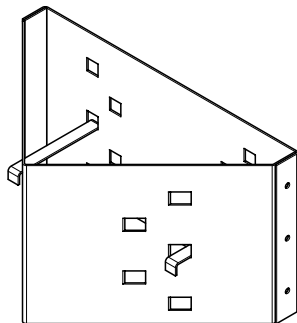
Direct - to - Drain Thermal Reduction System (9A586)



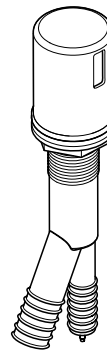
9A586001 Tank (Single) 1



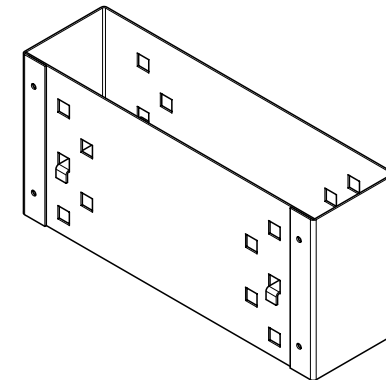
9A586002 Tank (Dual) 2



9A586005 Adjustable Tank Stand (Single) 4



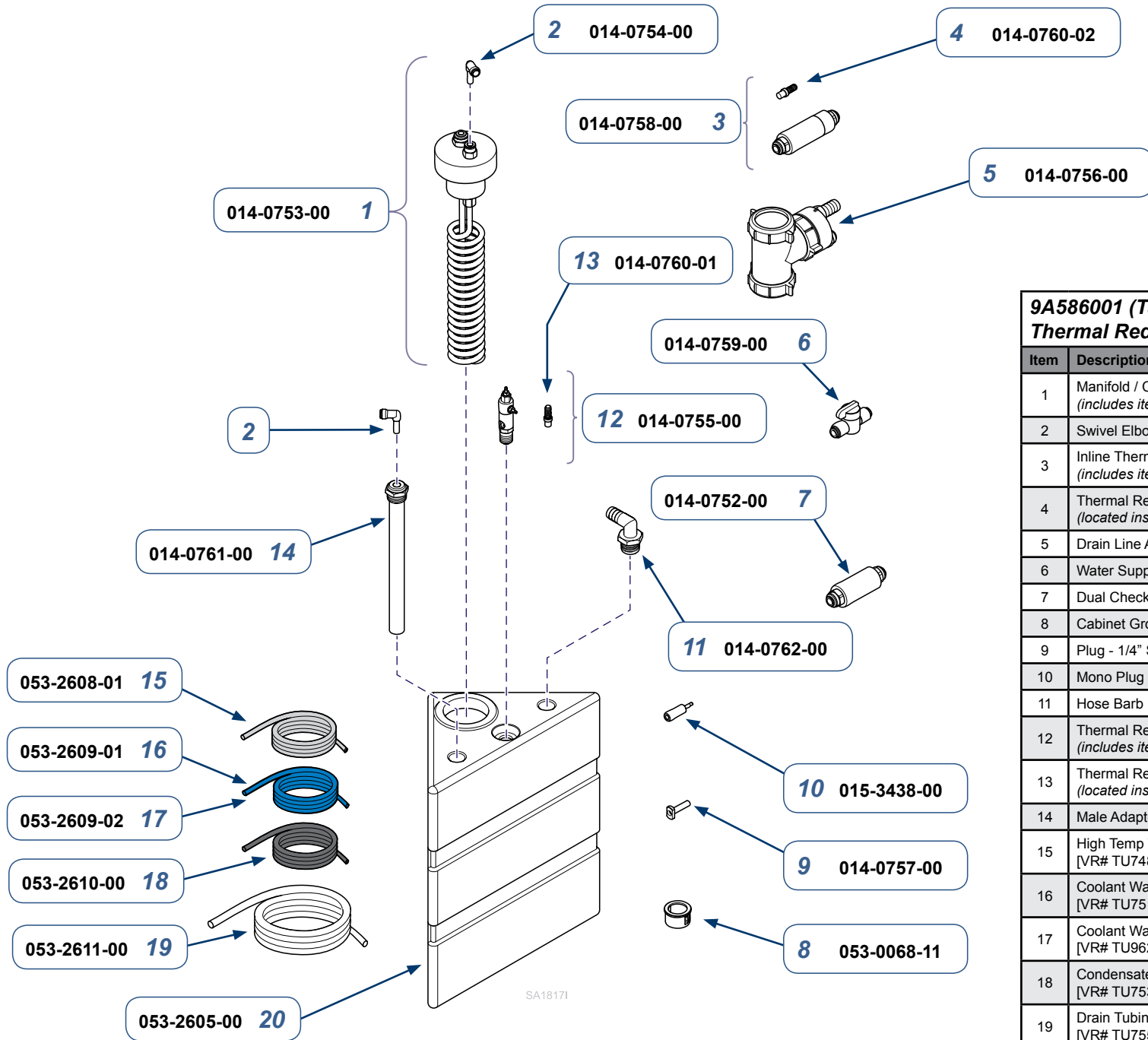
9A586004 Air Gap Kit 3



9A586006 Adjustable Tank Stand (Dual) 5

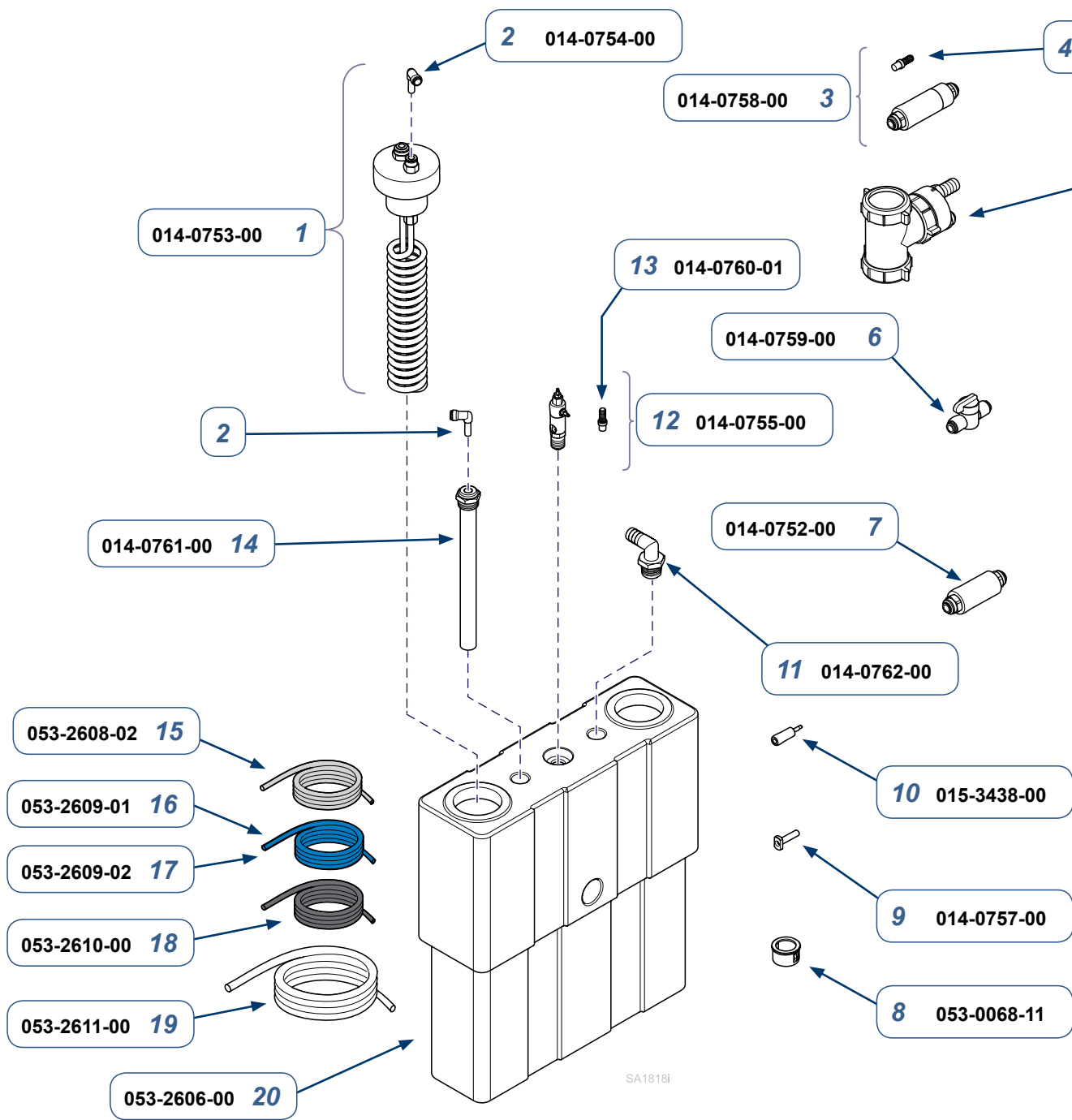
TP204 Rev. A

Serial Numbers / Dates: For sterilizers with the following s/n prefixes:
RN / RP / RR / RS / RT / RV / RW / RX / RY / RZ / V



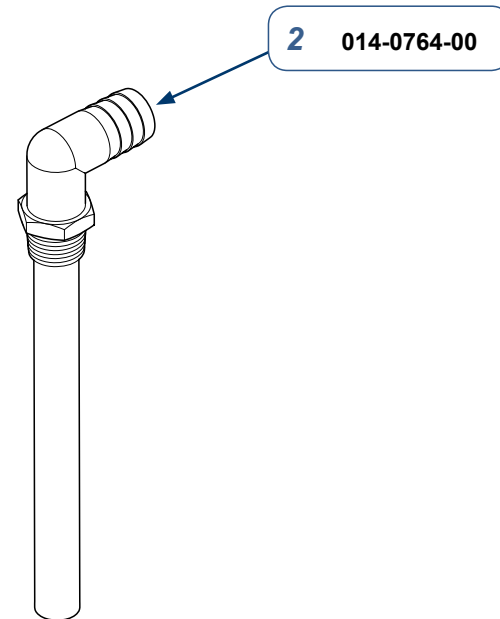
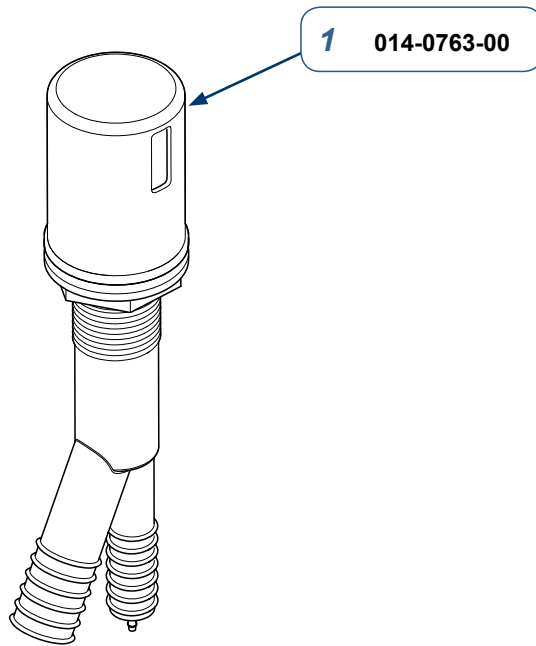
| 9A586001 (Tank) Direct - to - Drain Thermal Reduction System (Single) | | |
|---|--|-----|
| Item | Description | Qty |
| 1 | Manifold / Coil Assembly [VR# S7504] <i>(includes item 2)</i> | 1 |
| 2 | Swivel Elbow [VR# S6112P] | 2 |
| 3 | Inline Thermal Sensor [VR# S7508] <i>(includes item 4)</i> | 1 |
| 4 | Thermal Reg. Wax Motor, 140° F [VR# S7515] <i>(located inside the Inline Thermal Sensor)</i> | 1 |
| 5 | Drain Line Assembly [VR# S7506] | 1 |
| 6 | Water Supply Valve [VR# S6155P] | 1 |
| 7 | Dual Check Backflow Preventer [VR# VC250-A] | 1 |
| 8 | Cabinet Grommet [VR# S7539] | 4 |
| 9 | Plug - 1/4" Stem [VR# S6130P] | 1 |
| 10 | Mono Plug [VR# S7550] | 1 |
| 11 | Hose Barb Elbow [VR# S7532] | 1 |
| 12 | Thermal Reg. Valve [VR# S7503] <i>(includes item 13)</i> | 1 |
| 13 | Thermal Reg. Wax Motor, 80° F [VR# S7514] <i>(located inside the Thermal Regulator Valve)</i> | 1 |
| 14 | Male Adapter [VR# S7531] | 1 |
| 15 | High Temp Tubing - Natural (1/4" OD x 9 ft) [VR# TU748] | 1 |
| 16 | Coolant Water Tubing - Blue (1/4" OD x 6 ft) [VR# TU751] | 1 |
| 17 | Coolant Water Tubing - Blue (1/4" OD x 7 in) [VR# TU962] | 1 |
| 18 | Condensate Tubing - Black (1/4" OD x 6 ft) [VR# TU753] | 1 |
| 19 | Drain Tubing - Clear (1/2" ID x 6 ft) [VR# TU755] | 1 |
| 20 | Tank (Single) [VR# S7511] | 1 |

Serial Numbers / Dates: For sterilizers with the following s/n prefixes:
RN / RP / RR / RS / RT / RV / RW / RX / RY / RZ / V



| 9A586002 (Tank) Direct - to - Drain Thermal Reduction System (Dual) | | |
|--|--|-----|
| Item | Description | Qty |
| 1 | Manifold / Coil Assembly [VR# S7504] (includes item 2) | 2 |
| 2 | Swivel Elbow [VR# S6112P] | 3 |
| 3 | Inline Thermal Sensor [VR# S7508] (includes item 4) | 2 |
| 4 | Thermal Reg. Wax Motor, 140° F [VR# S7515] (located inside the Inline Thermal Sensor) | 2 |
| 5 | Drain Line Assembly [VR# S7506] | 1 |
| 6 | Water Supply Valve [VR# S6155P] | 1 |
| 7 | Dual Check Backflow Preventer [VR# VC250-A] | 1 |
| 8 | Cabinet Grommet [VR# S7539] | 8 |
| 9 | Plug - 1/4" Stem [VR# S6130P] (Only used if connected to a single autoclave) | 1 |
| 10 | Mono Plug [VR# S7550] | 2 |
| 11 | Hose Barb Elbow [VR# S7532] | 1 |
| 12 | Thermal Reg. Valve [VR# S7503] (includes item 13) | 1 |
| 13 | Thermal Reg. Wax Motor, 80° F [VR# S7514] (located inside the Thermal Regulator Valve) | 1 |
| 14 | Male Adapter [VR# S7531] | 1 |
| 15 | High Temp Tubing - Natural (1/4" OD x 18 ft) [VR# TU749] | 1 |
| 16 | Coolant Water Tubing - Blue (1/4" OD x 6 ft) [VR# TU751] | 1 |
| 17 | Coolant Water Tubing - Blue (1/4" OD x 7 in) [VR# TU962] | 1 |
| 18 | Condensate Tubing - Black (1/4" OD x 6 ft) [VR# TU753] | 1 |
| 19 | Drain Tubing - Clear (1/2" ID x 6 ft) [VR# TU755] | 2 |
| 20 | Tank (Dual) [VR# S7512] | 1 |
| 21 | M9/M11 Adapter Kit 9A586003 (Not Shown) [VR# S7560] | 2 |

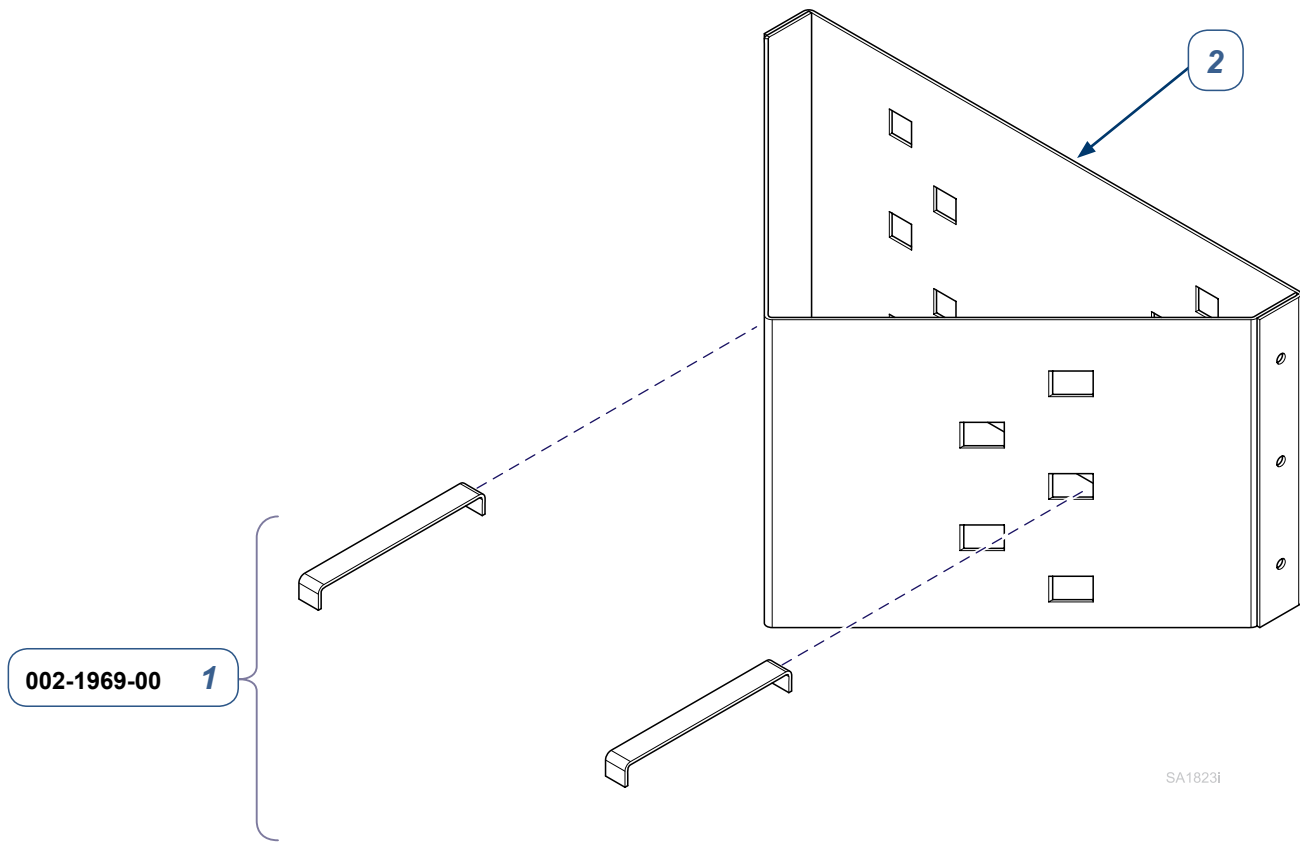
Serial Numbers / Dates: For sterilizers with the following s/n prefixes: RN / RP / RR / RS / RT / RV / RW / RX / RY / RZ / V



SA1825i

| 9A586004 Air Gap Kit | | |
|-----------------------------|---|-----|
| Item | Description | Qty |
| 1 | Air Gap Assembly [VR# S7552] | 1 |
| 2 | Water Inlet Assembly [VR# S7554] | 1 |
| 3 | Coolant Water Tubing - Blue (1/4" OD x 3 ft) 053-2609-00 (Not Shown) [VR# TU750] | 1 |
| 4 | Overflow Tubing - Clear (3/4" ID x 3 ft) 053-2612-00 (Not Shown) [VR# TU757] | 1 |

Serial Numbers / Dates: For sterilizers with the following s/n prefixes:
RN / RP / RR / RS / RT / RV / RW / RX / RY / RZ / V

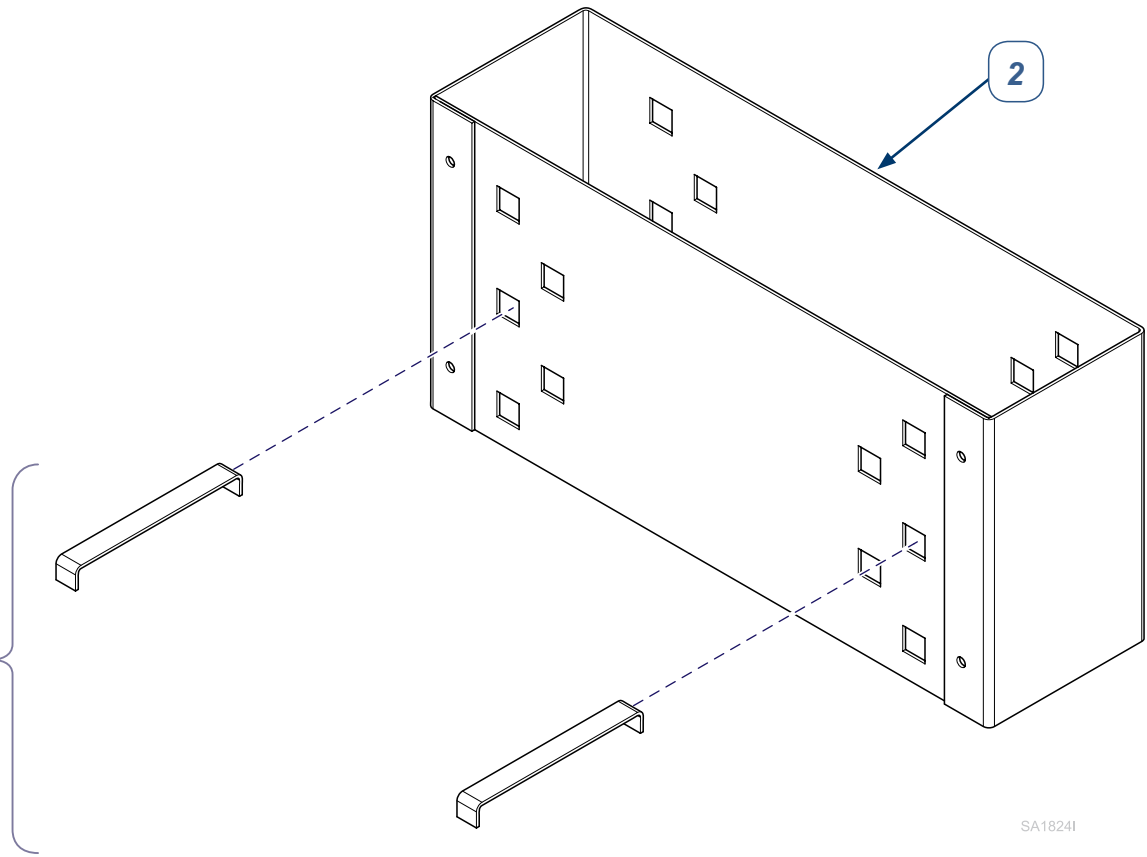


SA1823i

Serial Numbers / Dates: For sterilizers with the following s/n prefixes:
 RN / RP / RR / RS / RT / RV / RW / RX / RY / RZ / V

| 9A586005 Adjustable Tank Stand (Single) | | |
|--|--|-----|
| Item | Description | Qty |
| 1 | Adjustable Straps (include 2 straps) [VR# S7548] | 1 |
| 2 | Tank Stand | 1 |

002-1969-00 1



SA18241

Serial Numbers / Dates: For sterilizers with the following s/n prefixes:
RN / RP / RR / RS / RT / RV / RW / RX / RY / RZ / V

Always verify model & serial number

| 9A586006 Adjustable Tank Stand (Dual) | | |
|--|--|-----|
| Item | Description | Qty |
| 1 | Adjustable Straps (include 2 straps) [VR# S7548] | 1 |
| 2 | Tank Stand | 1 |