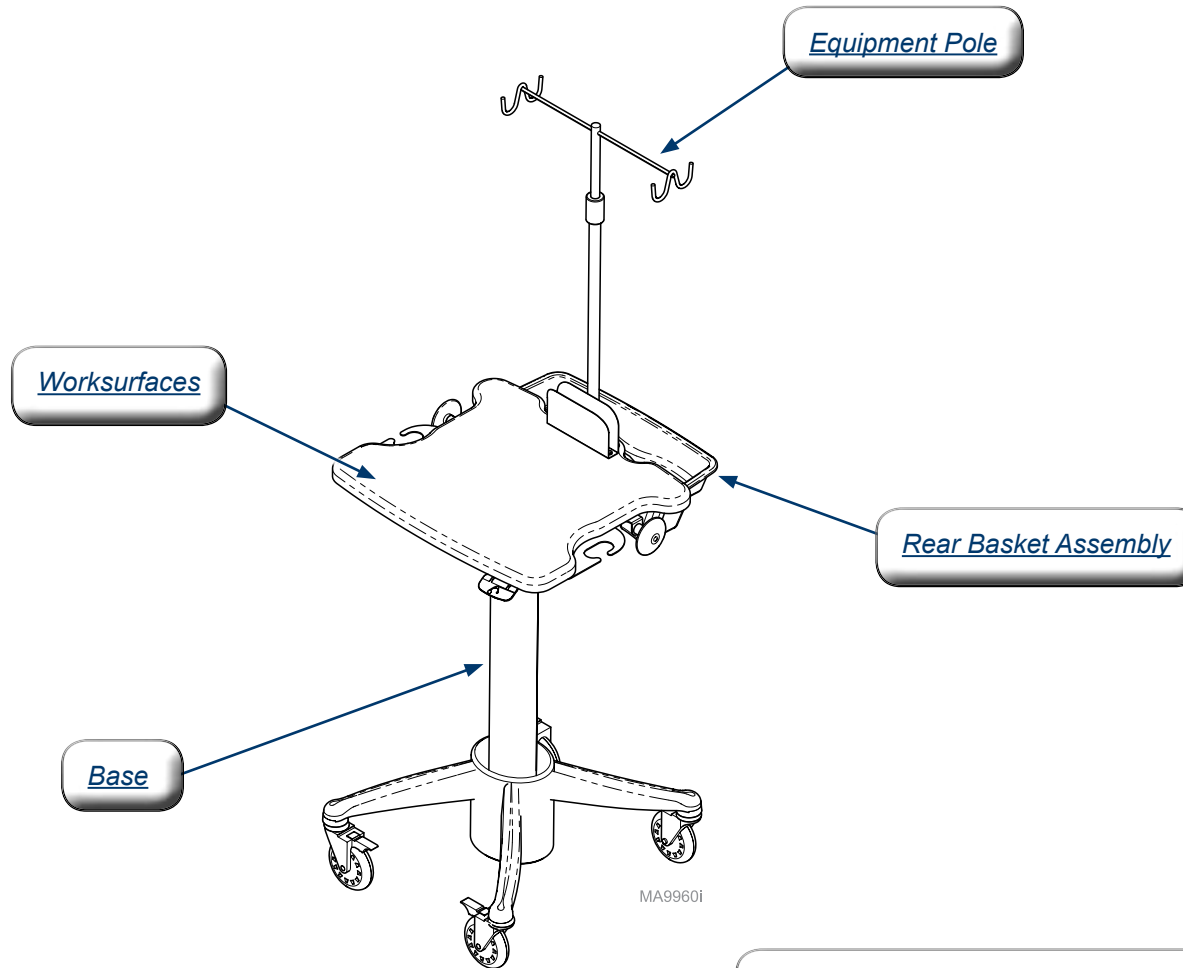
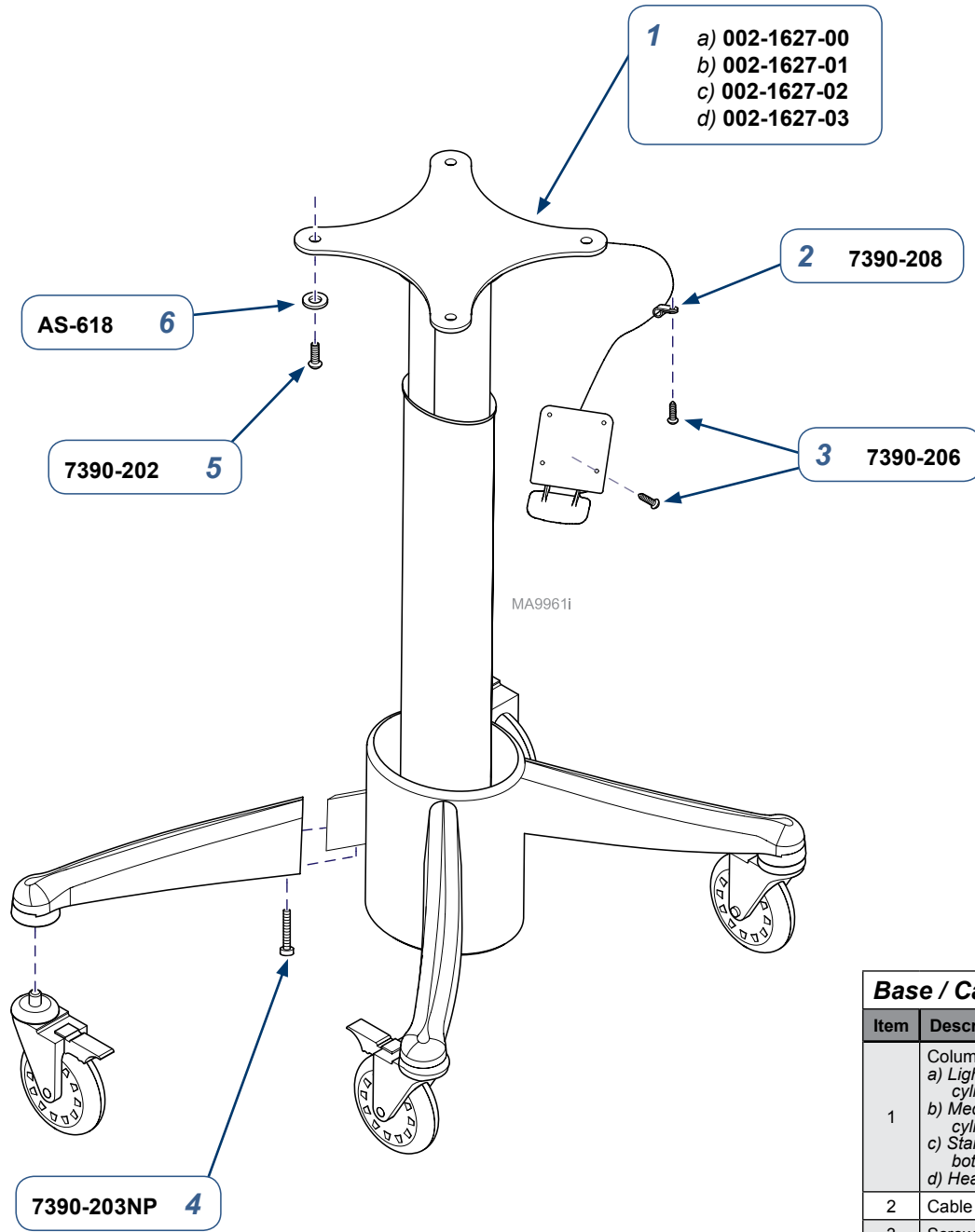


6231-001

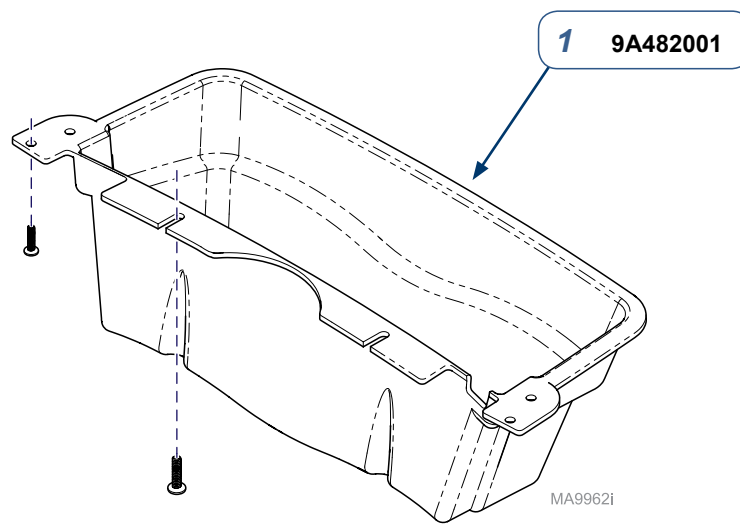


Accessories:	
<u>Utility Basket (9A439)</u>	004-0941-99
<u>Multi-Purpose Shelf (9A440)</u>	004-0942-99
<u>Sharps Container (9A450)</u>	004-0947-99
<u>Large Utility Basket (9A466)</u>	004-0950-99
<u>Scale Holder (9A489)</u>	004-1141-99
<u>Cart Counterweight (9A494)</u>	004-1024-99
<u>Multi-Purpose Shelf (9A596)</u>	004-1137-99

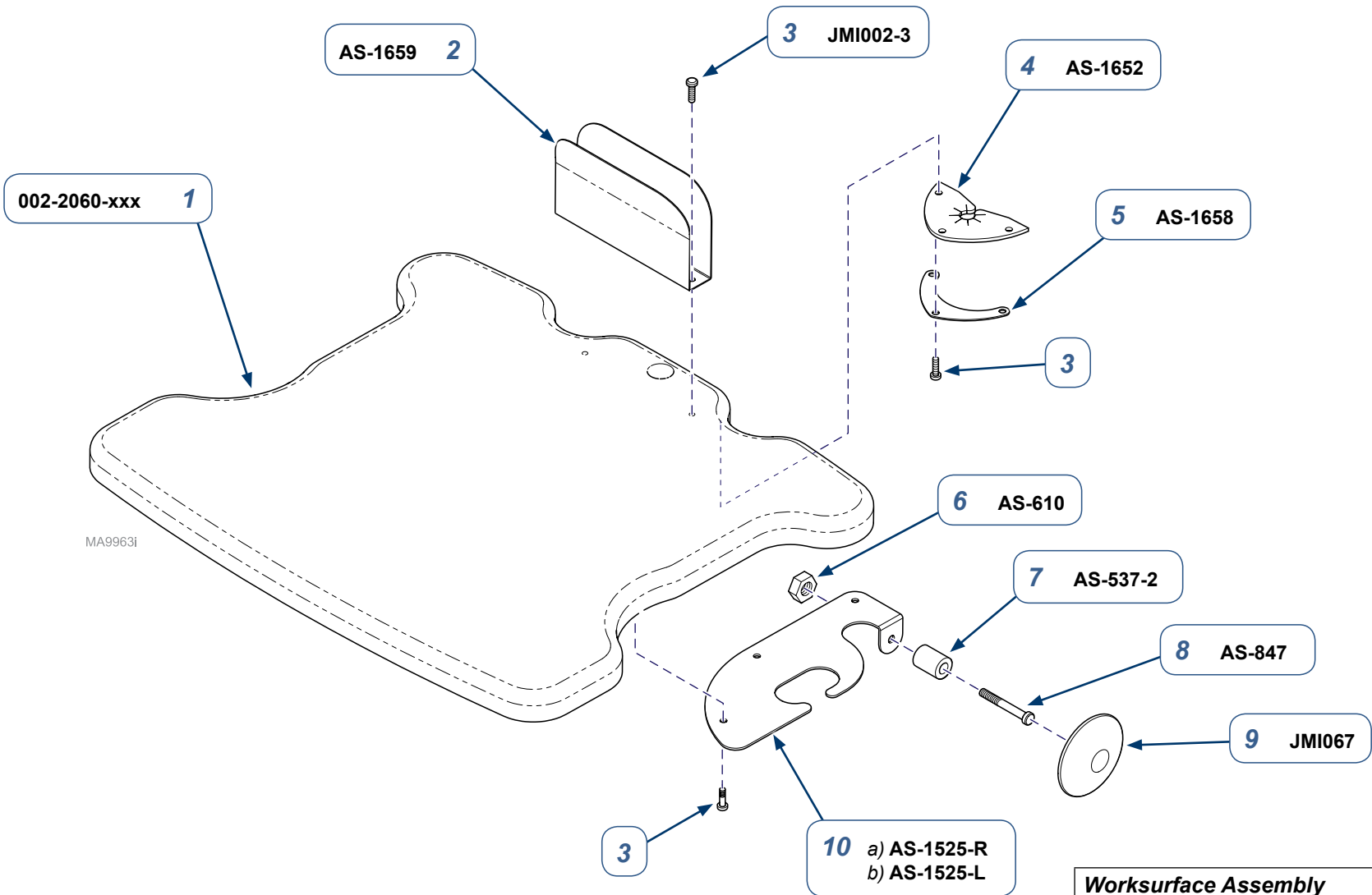


Base / Cartridge Components

Item	Description	Qty.
1	Column Assy Kit (includes cable release lever) a) Light Duty (blue sticker on bottom of cylinder) b) Medium Duty (green sticker on bottom of cylinder) c) Standard (no sticker or yellow sticker on bottom of cylinder) d) Heavy Duty (red sticker on bottom of cylinder)	1
2	Cable Clamp	1
3	Screw (#8 x 1/2")	5
4	Screw (1/4-20 x 1 3/4")	8
5	Screw (3/8-16 x 7/8")	4
6	Lockwasher	4
7	Thread Locking Adhesive (Not Shown)	AR

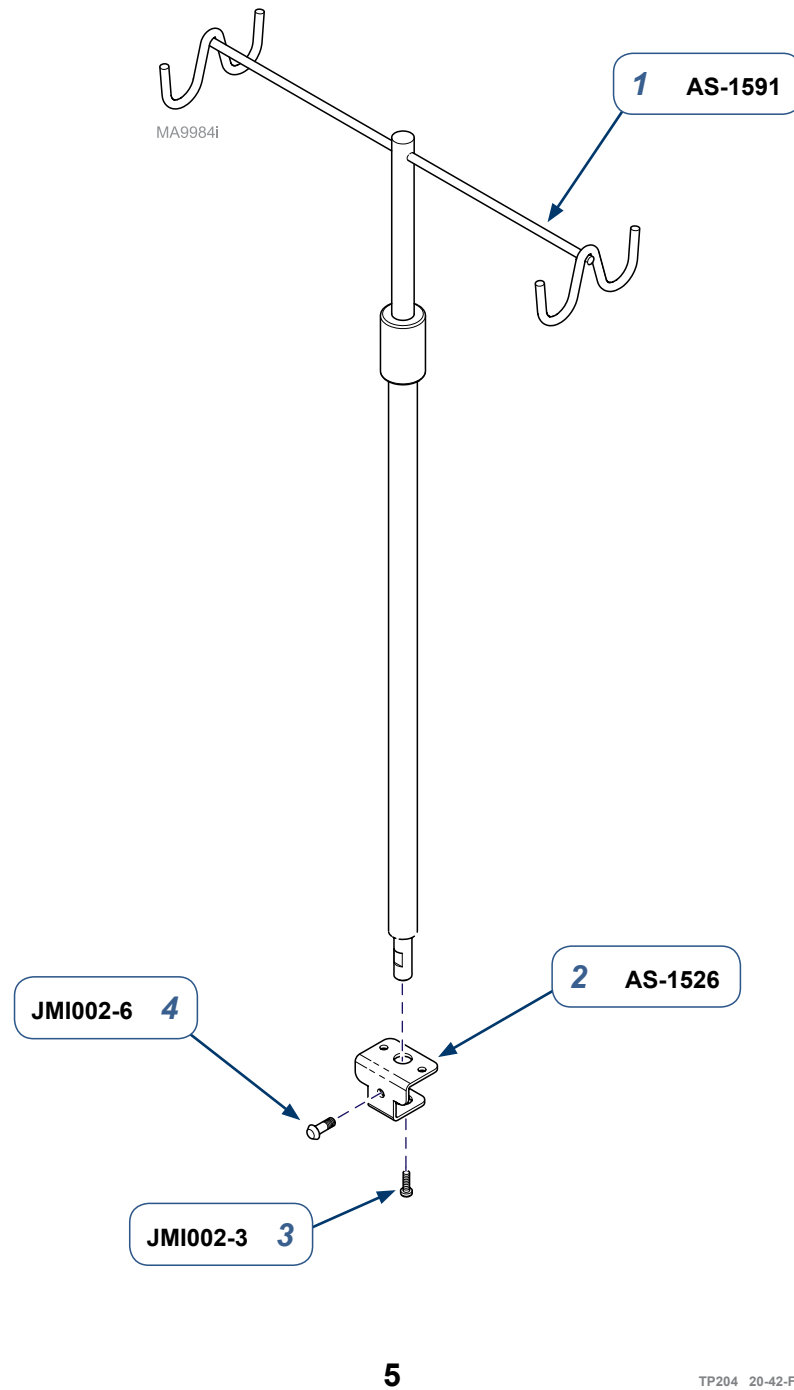


Rear Basket		
Item	Description	Qty.
1	Rear Basket Assembly	1



Worksurface Assembly

Item	Description	Qty.
1	6231-001 Worksurface Assembly Kit (includes items AS-1524-xxxx and four AS-392 inserts)	1
2	Bracket	1
3	Screw (10-3/4")	14
4	Top Retention Clip	2
5	Bottom Retention Clip	2
6	Nut	2
7	Spacer	2
8	Screw (1/4-20 x 2")	2
9	Clamp	2
10	Bracket (Spiro) a) Right (Shown) b) Left	1



Equipment Pole		
Item	Description	Qty.
1	Equipment Pole Assembly	1
2	Bracket	1
3	Screw (#10 x 3/4")	2
4	Screw (1/4-20 x 3/4")	1