

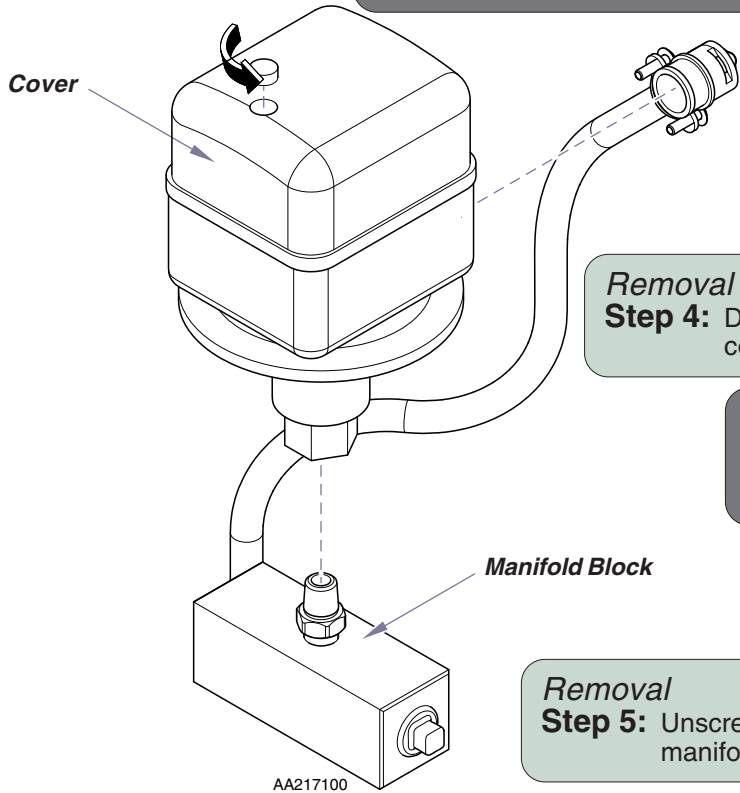
Vacuum Switch (230 VAC) Replacement For PowerMax Models [30126601]

DANGER
Line voltage is present at the power inlet.

Removal
Step 1: Disconnect power to PowerMax.

Removal
Step 2: Remove vacuum switch cover.

Installation
Step 7: Remove vacuum switch cover.

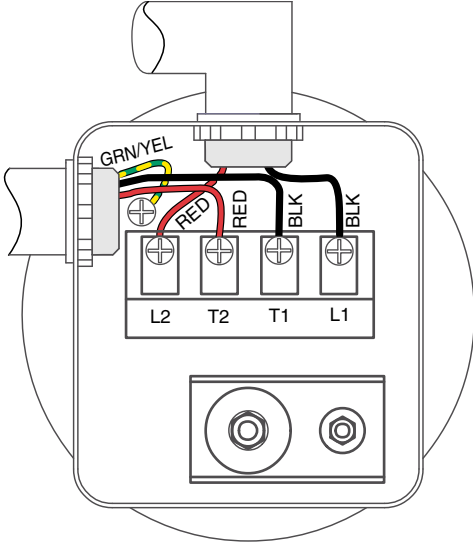


Removal
Step 4: Disconnect conduit from connector from vacuum switch.

Installation
Step 8: Install conduit to vacuum switch. Connect wiring to terminals.

Removal
Step 5: Unscrew vacuum switch from manifold block hex nipple.

Removal
Step 3: Disconnect wires from all terminals.



Installation
Step 9: Install vacuum switch cover. Connect supply power.

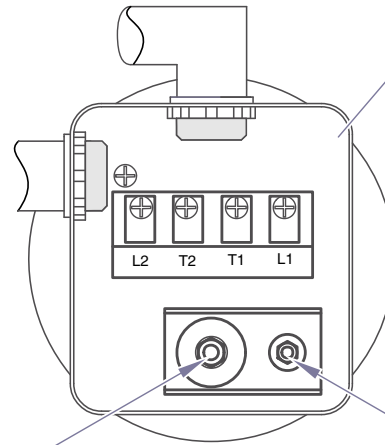
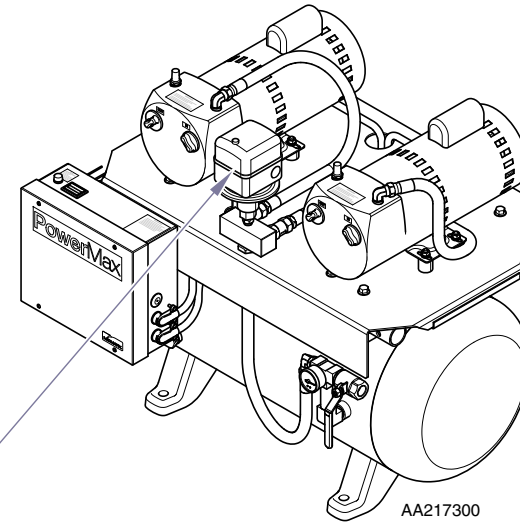
Note: Perform Adjustment shown on Page 2.

Installation
Step 6: Install new vacuum switch onto manifold block hex nipple.

Vacuum Switch Adjustment

Check Vacuum Setpoints...

- Close ball valve and drain valve.
- Turn PowerMax on.
- Observe Gauge, unit should shut off at 20"Hg.
- Open drain valve, unit should turn on at 13"Hg.
- Perform adjustment if necessary



Note: Wires Not Shown For Clarity

Vacuum Range
Switch Adjuster

Low Setpoint
for Low Limit

Adjustments

Vacuum Range..

- Adjust vacuum range if system didn't shut off at 20"Hg.
- Clockwise will decrease reading.
 - Counter Clockwise will increase reading.

Low Setpoint..

- Adjust Low Limit if system didn't turn on at 13"Hg.
- Clockwise will decrease reading.
 - Counter Clockwise will increase reading.

Midmark Corporation

For contact information, go to:
www.midmark.com



Because we care.