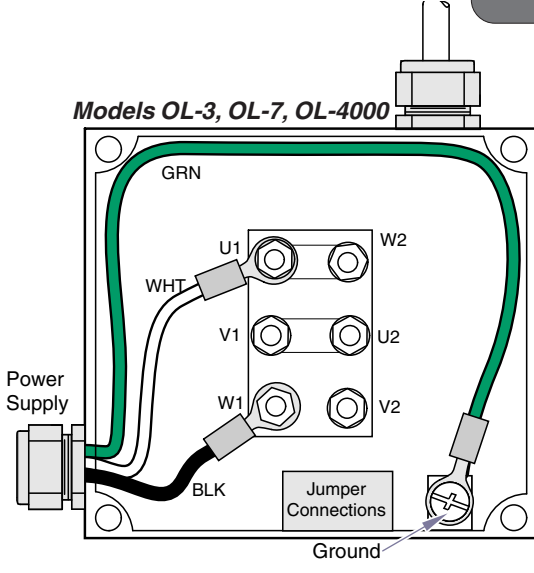
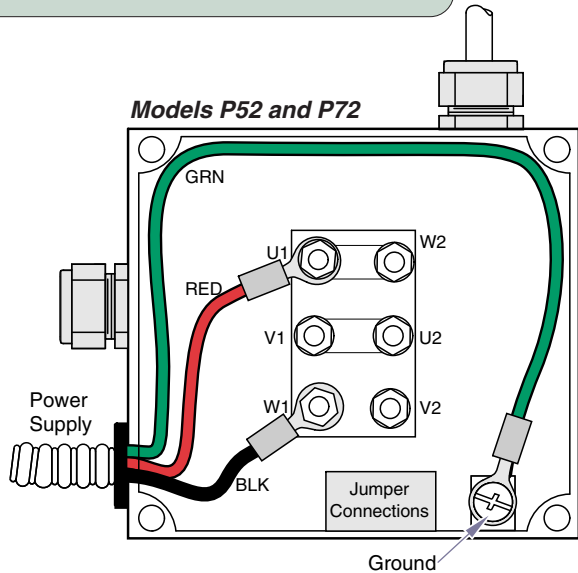




Replacement Compressor Head
Matrx Models: OL-3, OL-7
Midmark Models: P52 and P72
[77001544]

Components:
 Replacement Head 1

Removal
Step 1: Disconnect electrical power to the compressor.



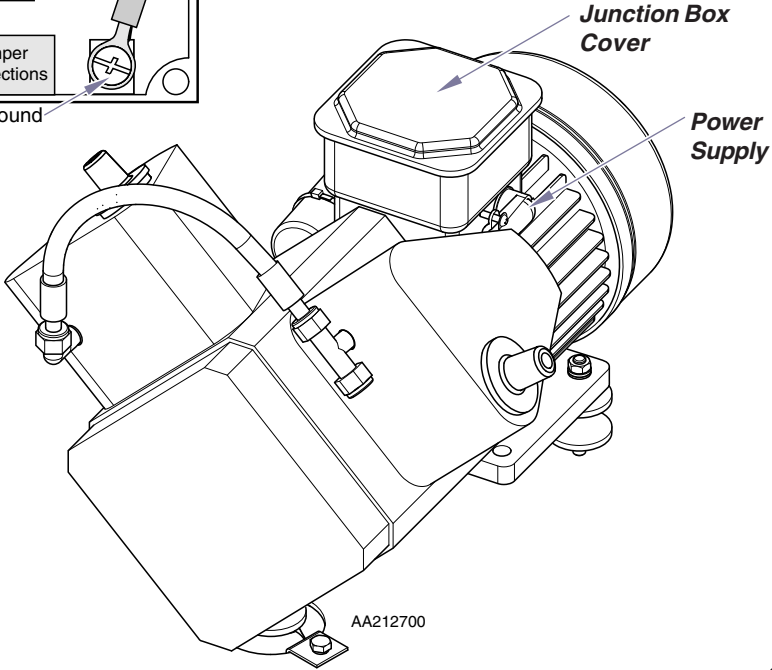
Installation
Step 6: Connect electrical power to compressor.

Installation
Step 5: Install motor junction box cover.

Removal
Step 2: Remove motor junction box cover.

Removal
Step 3: Disconnect power supply wires in junction box.
 Remove power supply cord/conduit from junction box.
 Note: Go to page 2 to for Step 4, Removal.

Installation
Step 4: Remove motor junction box cover.
 Connect power supply wires.
 Secure power supply cord/conduit to junction box.



Removal

Step 4: Disconnect air and exhaust lines from old motor.

Installation

Step 3: Connect air and exhaust lines to new motor. Verify that filter elements are inserted fully into boots when reinstalling boots into ports.

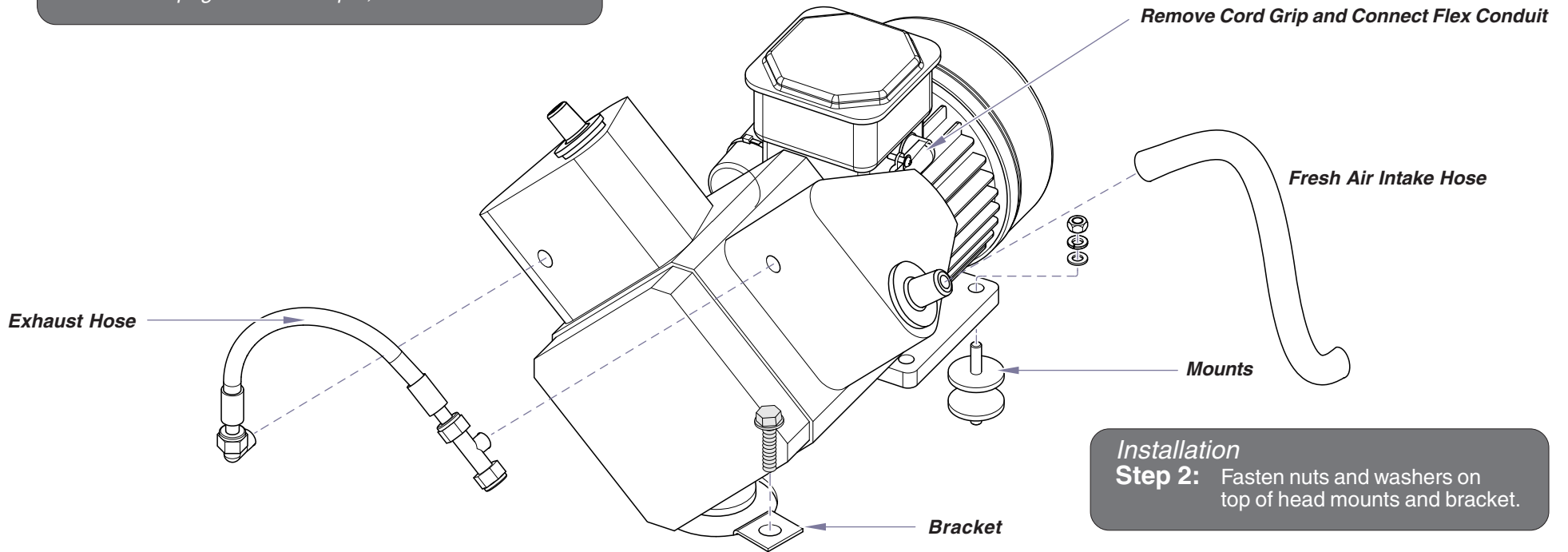
Note: Go to page 1 to for Step 4, Installation.

Installation

Step 1: Place head on mounts and position bracket in saddle.

Models OL-3, OL-7
Connect Cord Using Supplied Cord Grip

Models P52 & P72
Remove Cord Grip and Connect Flex Conduit



Installation

Step 2: Fasten nuts and washers on top of head mounts and bracket.

Removal

Step 5: Remove nut and washer from top of head mounts and bracket.

Removal

Step 6: Remove head from saddle.

AA212800