



# Vacuum Pump Flushing Solvent

[77000699]

**Components:**  
Flushing Solvent

**Special Tools:**  
Qty (2) 3/8" NPT x 4"  
Long Steel Pipe Nipple

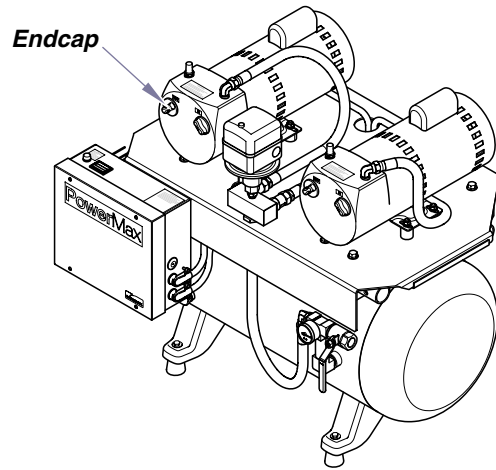
**Intended Use:**

To remove deposits built up on pump vanes and maintain proper vane performance.



**Caution**

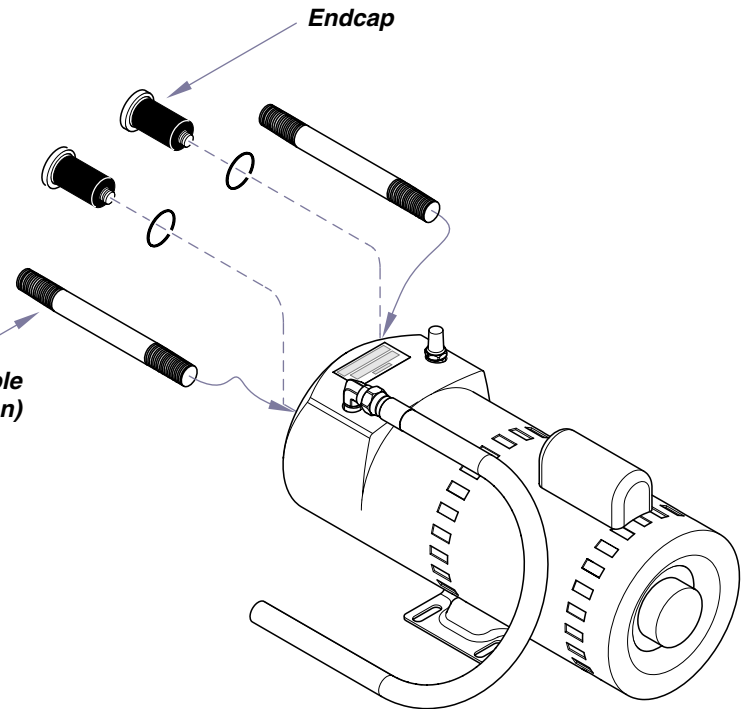
Always flush pump in a well ventilated area.



**Step 1: Install Steel Pipe Nipples.**

- A) Disconnect main power supply.
- B) Remove both Endcaps.
- C) Screw in Steel Pipe Nipples.
- D) Restore power and turn pump on.

3/8" NPT x 4" Long Steel Pipe Nipple  
(Supplied by Service Technician)



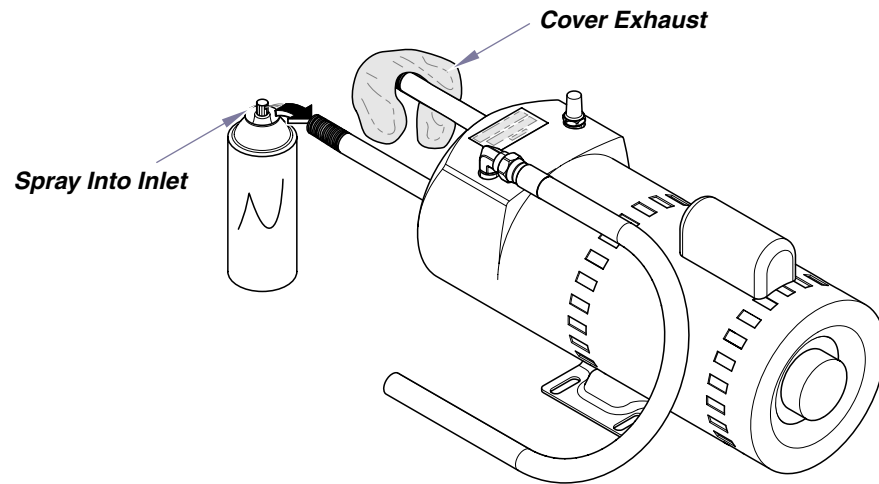
AA212000



### **WARNING**

*Use only Midmark Flushing Solvent 77000699.*

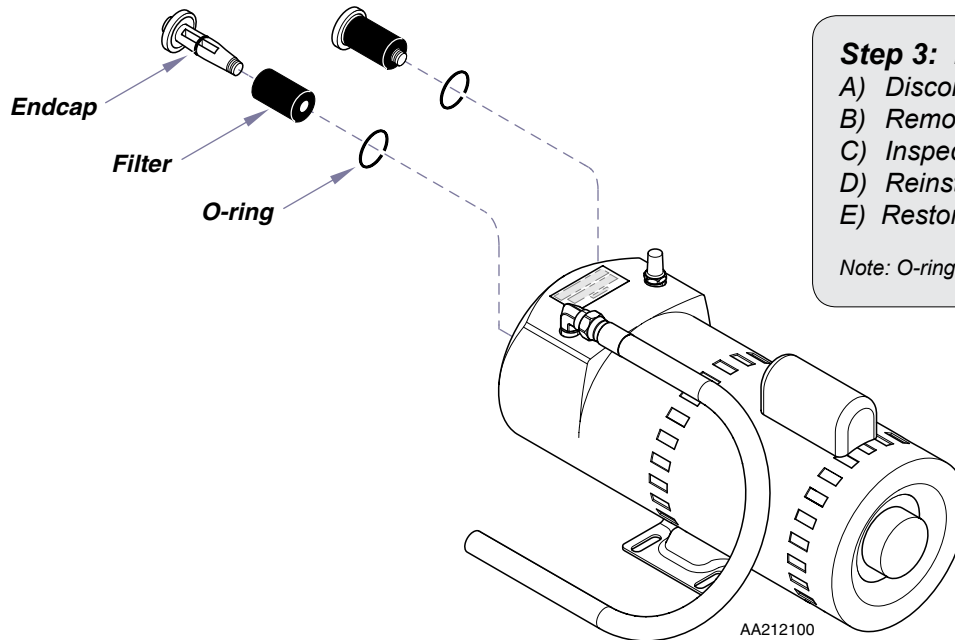
*Do not use kerosene or any other combustible solvent to flush pump.  
Refer to product label on solvent container for other warnings.*



### **Step 2: Use Solvent to Flush Pump**

- A) Place towel over exhaust pipe to absorb solvent.
- B) Spray solvent into inlet pipe, 5-10 seconds.  
Operate pump for one minute.

*Note: Repeat procedure until desired performance is restored.*



### **Step 3: Remove Pipe Nipples & Install Filters/Endcaps .**

- A) Disconnect main power supply.
- B) Remove Steel Pipe Nipples.
- C) Inspect filters and O-rings, Clean or replace if necessary.
- D) Reinstall endcaps
- E) Restore power.

*Note: O-rings should be soft and flexible.*