

# Changing Fuse

Only replace fuse with 1/3 amp, 250 volt, Slo Blo, fuse.

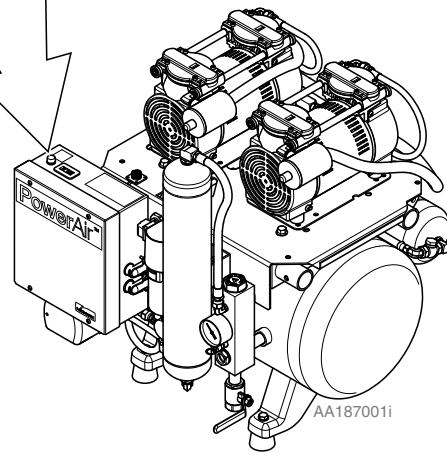
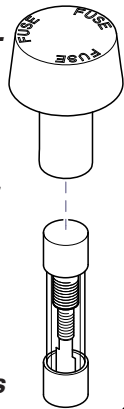
Push in and turn cap counter clockwise.

Pull fuse out of cap.

Visually check and replace if fuse is burnt or broken.

Put fuse in cap.

Push in and turn cap clockwise until it locks in place.



## Specifications

*Classifications: Class 1, No Applied Part*

Model	# Users	CFM @ 80 PSI	Total HP	Tank Capacity	Voltage	Total Amps	Breaker Size	Sound Level (dBA)	Sound Level (dBA) With Quiet Cover	Dimensions H x W x D (IN.)	Dimensions With Sound Cover H x W x D (IN.)	Product Weight (LBS.)	Fresh Air Intake Pipe Size
P21	1 - 3	5.2	1.5	10	115	16.0	20	65	60	27 x 26 x 24	32 x 26 x 25	225	2"
P22	1 - 3	5.2	1.5	10	208-230	7.0	20	65	60	27 x 26 x 24	32 x 26 x 25	225	2"
P32	3 - 5	7.8	2.25	20	208-230	11.0	20	67	62	29 x 33 x 26	33 x 33 x 28	295	2"
P52	5 - 7	10.6	3.2	20	208-230	20.0	30	70	65	31 x 33 x 26	33 x 33 x 28	345	2"
P72	7 - 10	15.9	4.8	32	208-230	29.0	40	73	68	33 x 40 x 27	39 x 40 x 30	425	2"

## LIMITED WARRANTY SCOPE OF WARRANTY

Midmark Corporation ("Midmark") warrants to the original purchaser its new Classic Series™ and PowerAir™ products and components (except for components not warranted under "Exclusions") manufactured by Midmark to be free from defects in material and workmanship under normal use and service. Midmark's obligation under this warranty is limited to the repair or replacement, at Midmark's option, of the parts or the products the defects of which are reported to Midmark within the applicable warranty period and which, upon examination by Midmark, prove to be defective.

### APPLICABLE WARRANTY PERIOD

The applicable warranty period, measured from the date of installation for the original user, shall be:

- ClassicSeries™ Lubricated Compressors: Two (2) years or 1,500 usage hours (whichever comes first)
- PowerAir™ Oil-less Compressors: Five (5) years or 3,500 usage hours (whichever comes first)

### EXCLUSIONS

This warranty does not cover and Midmark shall not be liable for the following: (1) repairs and replacements because of misuse, abuse, negligence, alteration, accident, freight damage, or tampering; (2) products which are not installed, used, and properly cleaned as required in the Midmark "Installation" manual and or "maintenance" guide for this applicable product; (3) products considered to be of a consumable nature; (4) accessories or parts not manufactured by Midmark; (5) charges by anyone for adjustments, repairs, replacement parts, installation, or other work performed upon or in connection with such products which is not expressly authorized in writing in advance by Midmark.

### EXCLUSIVE REMEDY

Midmark's only obligation under this warranty is the repair or replacement of defective parts. Midmark shall not be liable for any direct, special, indirect, incidental, exemplary, or consequential damages or delay, including, but not limited to, damages for loss of profits or loss of use.

### NO AUTHORIZATION

No person or firm is authorized to create for Midmark any other obligation or liability in connection with the products.

**THIS WARRANTY IS MIDMARK'S ONLY WARRANTY AND IS IN LIEU OF ALL OTHER WARRANTIES, EXPRESS OR IMPLIED. MIDMARK MAKES NO IMPLIED WARRANTIES OF ANY KIND INCLUDING ANY WARRANTIES OF MERCHANTABILITY OR FITNESS FOR ANY PARTICULAR PURPOSE. THIS WARRANTY IS LIMITED TO THE REPAIR OR REPLACEMENT OF DEFECTIVE PARTS.**



# Maintenance Guide

## PowerAir™ Compressors

### Intended Use

To provide air pressure during general examinations and procedures conducted by qualified dental professionals.

To ensure years of reliable service, follow the maintenance schedule outlined in this guide. If service is required, contact your authorized Apollo by Midmark dealer.

Dealer (name / phone): \_\_\_\_\_

Model Number: \_\_\_\_\_

Serial Number: \_\_\_\_\_

Date of Purchase: \_\_\_\_\_

### Annual Maintenance Log

Date:	Services Performed:	Technician:
_____	_____	_____
_____	_____	_____
_____	_____	_____
_____	_____	_____
_____	_____	_____
_____	_____	_____
_____	_____	_____
_____	_____	_____
_____	_____	_____
_____	_____	_____

**Attention:**

Never lubricate this oil-less compressor. The motor / crankshaft bearings and Teflon compressor rings are permanently lubricated.

P22 Model Shown

**Weekly**

**A. Check Moisture Indicator.**

If indicator is BLUE, no action is required.  
If indicator is PINK, marginal life or compressor is overcycled.  
If indicator is WHITE, dryer tank needs replacing.

**Monthly**

**A. Check Pressurization Time.**

Watch the Storage Air gauge as the compressor runs. Record the time it takes to go from 80 PSI to 100 PSI. It should take approximately 15 to 45 seconds. [Contact your dealer if significantly out of range]

**B. Clean / Dust Compressor.**

Wipe with a clean cloth to remove dust & debris.

**Annually**

**A. Replace Air Intake Filters.**

The number of air intake filters varies by model. You must replace all of these filters annually.

**B. Replace Ultra-Air Filter Element & O-ring**

All models have only one Ultra-Air Filter.

**Bi-Annually**

**A. Replace Exhaust Muffler.**

**Maintenance Kits & Parts**

**P21 - P22 - P32 (Order Kit #: 77001636)**

Kit Includes:

- Air Intake Filters (3)
- Ultra-Air Filter Element (1)
- O-Ring (2)

**P52 (Order Kit #: 77001610)**

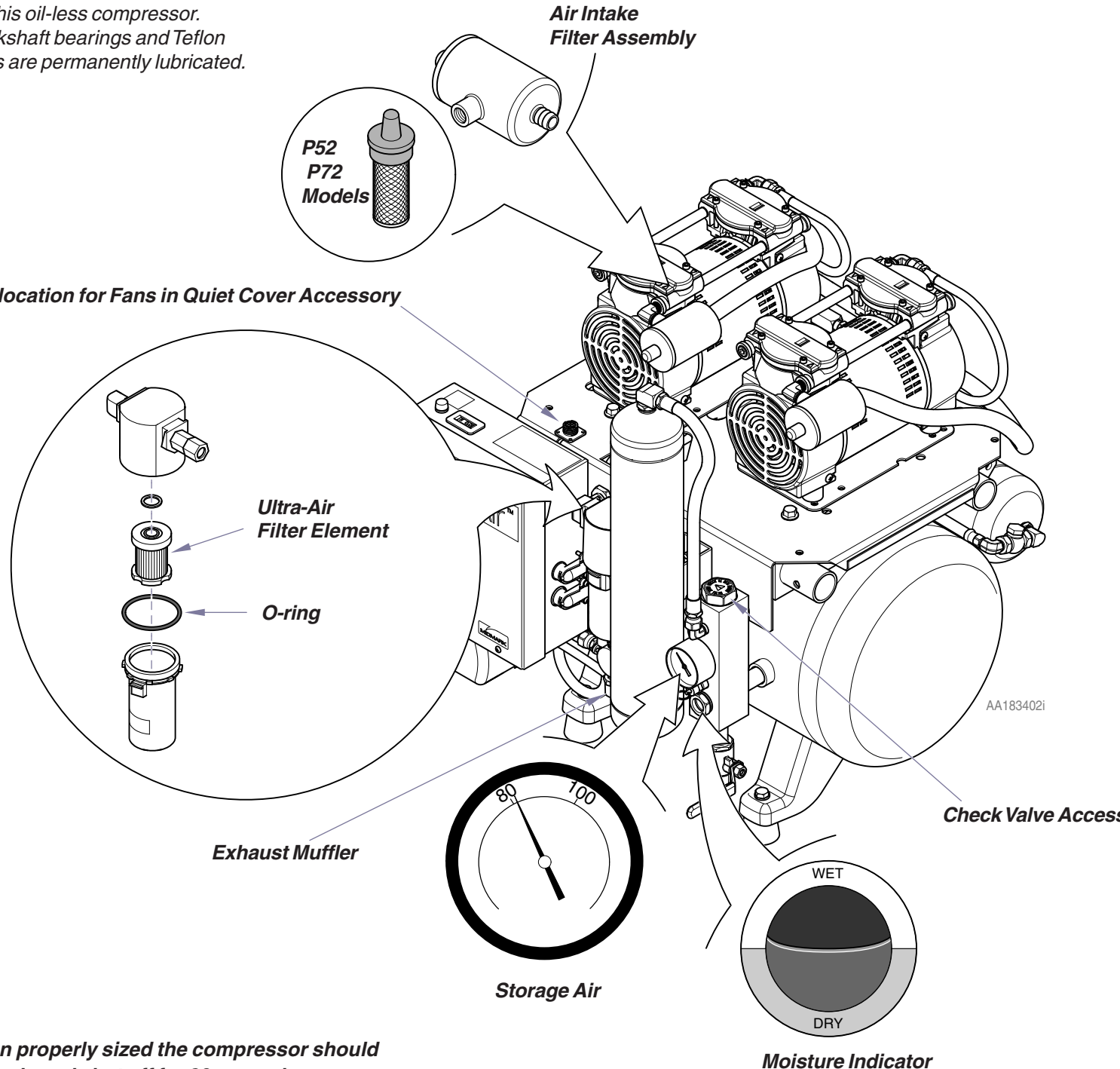
Kit Includes:

- Air Intake Filters (4)
- Ultra-Air Filter Element (1)
- O-Ring (2)

**P72 (Order #: 77001611)**

Kit Includes:

- Air Intake Filters (6)
- Ultra-Air Filter Element (1)
- O-Ring (2)



**Duty cycle:** when properly sized the compressor should run for 30-45 seconds and shut off for 90 seconds.