



Elbow Retrofit Kit for CV Twin Vacuum Pumps [#20218700]

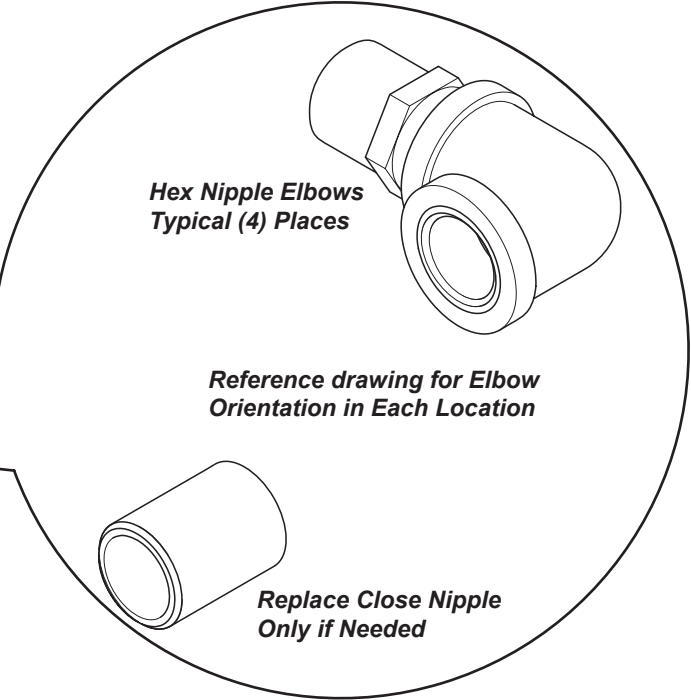
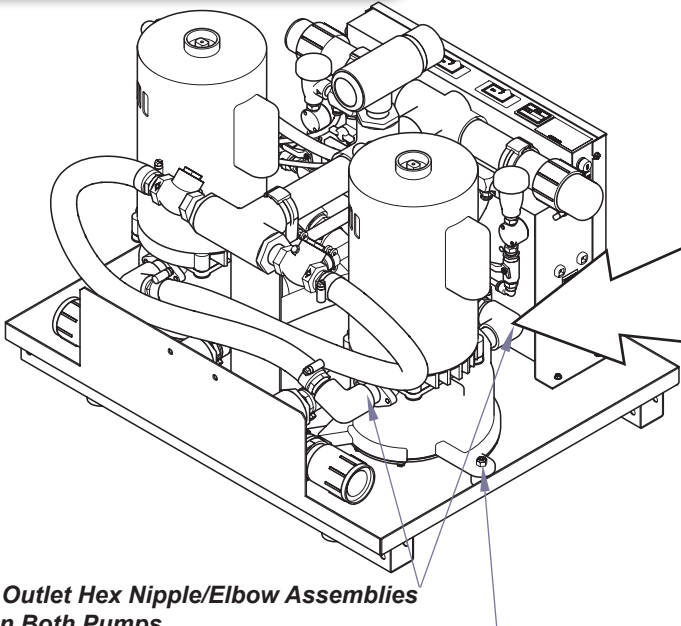
- Components:**
 Elbow/Nipple Assy.. 4
 Close Nipple 4
- Special Tools:**
 Medium Pipe Wrench

Intended Use:
 Only applies to CV Twin Wet Ring Vacuum Pumps.

Warning
 The On/Off switch controls only the secondary circuit power. The main power source must be turned off to remove all power in the electrical box. The circuit breaker panel is the main power disconnect.

Step 1: Turn off main power source.

Step 3: Loosen clamps, disconnect hoses and remove hex nipple/elbow assemblies at each pump inlet and outlet.



Step 2: Remove (3) locknuts from base of each pump.
 Note: This will allow pumps to be partially removed for access purposes.

Step 4: Install new hex nipple/brass elbow assemblies.
 Note: Hex nipple/brass elbow assemblies must be installed in the same orientation as previously installed elbows. Use new close nipples provided if original ones become damaged during removal.