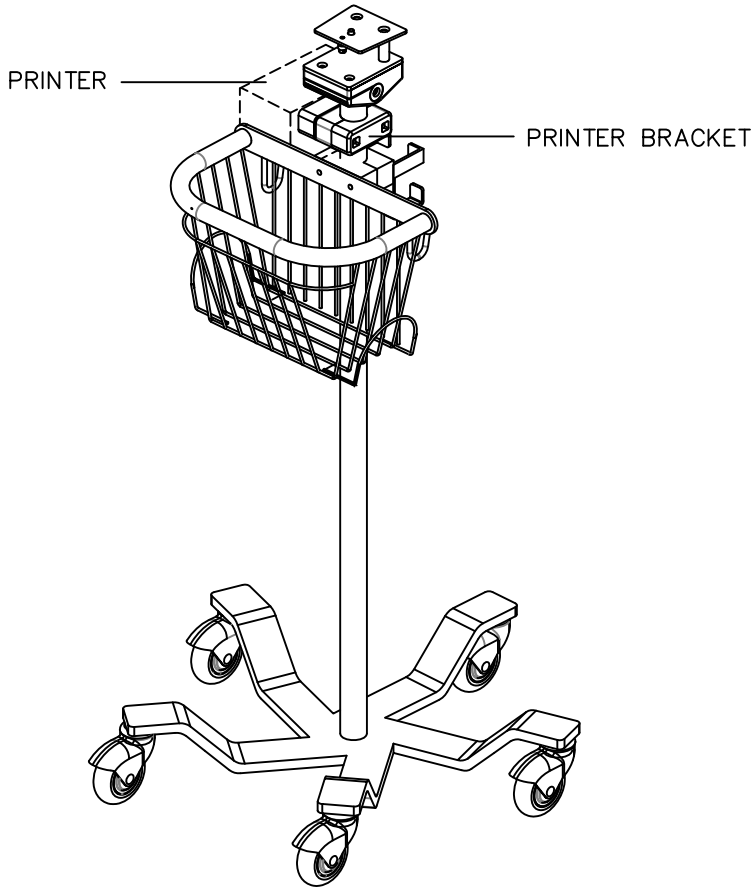
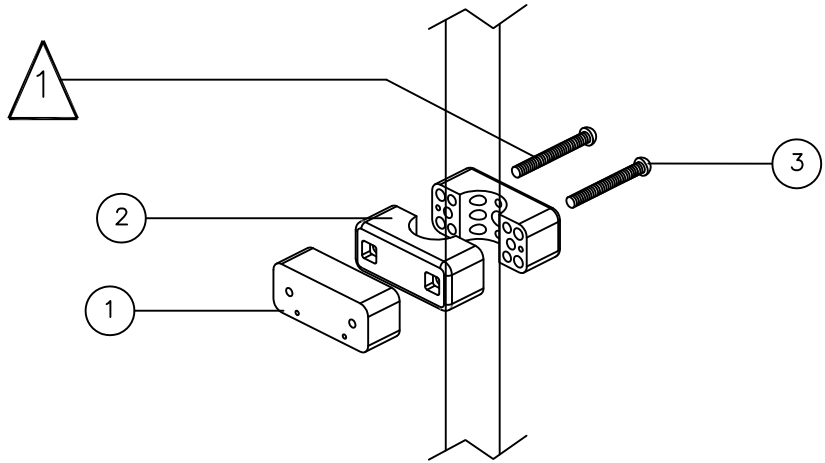


PARTS LIST		
ITEM	DESCRIPTION	QTY
1	PRINTER MOUNT	1
2	MOUNT BLOCK	2
3	SCREW	2
4	ALLEN WRENCH	1



ASSEMBLY INSTRUCTIONS:

•TOOLS REQUIRED: ALLEN WRENCH

- 1 REMOVE BOTH SCREWS (ITEM 3) FROM PRINTER BLOCK ASSEMBLY. REMOVE ONE SIDE OF THE MOUNT BLOCK ASSEMBLY. PLACE PRINTER MOUNT (ITEM 1) WITH MOUNT BLOCK (ITEM 2) TO THE LEFT SIDE OF THE POLE BETWEEN THE BASKET AND THE MOUNT PLATE. ENSURE PRINTER MOUNT IS FACING OUTWARD AS SHOWN IN DIAGRAM. PLACE THE OTHER HALF OF THE MOUNT BLOCK ON THE OTHER SIDE OF THE POLE. REINSTALL SCREWS (ITEM 3) AND TIGHTEN SECURELY.

CLEANING: SOLUTIONS USED IN CONJUNCTION WITH THIS PRODUCT MAY BE CORROSIVE. IT IS RECOMMENDED TO WIPE DOWN THE STAND ONCE A WEEK, MORE OFTEN IF REQUIRED WITH A DAMP TOWEL AND A MILD CLEANING SOLUTION. **NOTE:** IF SOLUTION SPILLS ON BASE, CLEAN IMMEDIATELY.