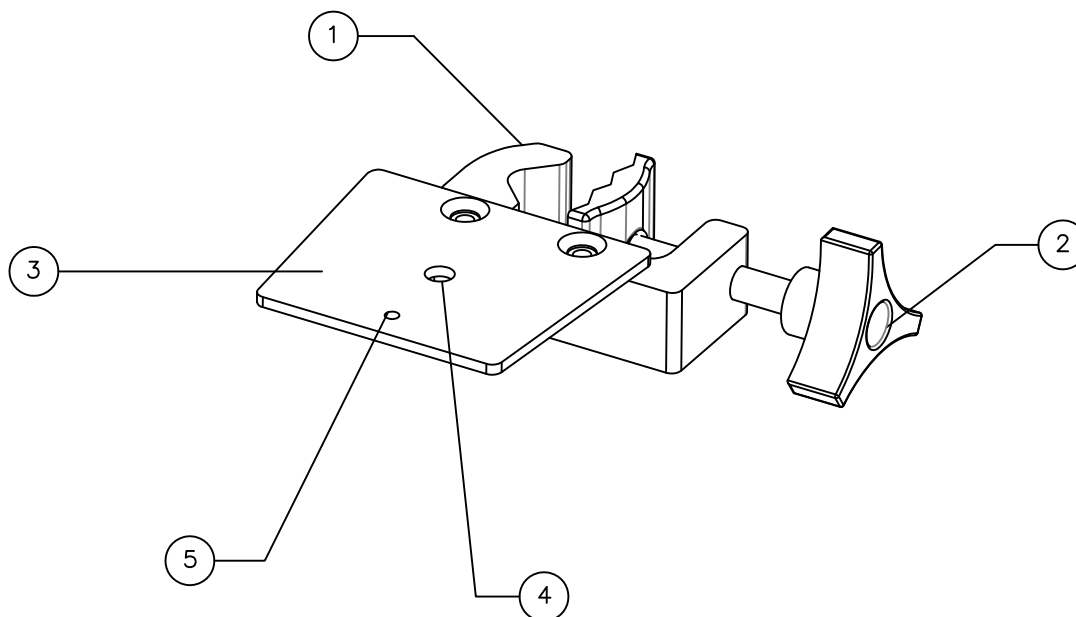


PARTS LIST		
ITEM	DESCRIPTION	QTY
1	CLAMP	1
2	KNOB	1
3	MOUNTING PLATE	1
4	SET PIN	1
5	LOCKING PIN	1
6	ALLEN WRENCH	1



## ASSEMBLY INSTRUCTIONS:

•TOOLS REQUIRED: ALLEN WRENCH

- 1 PLACE MOUNT ON POLE BY ADJUSTING KNOB (ITEM 2) AND TIGHTEN SECURELY. CLAMP ADJUSTS FROM 0 TO 1-1/2 INCHES. NOTE: MAKE SURE THAT THE MOUNT IS SECURELY TIGHTENED TO THE POLE BEFORE MOUNTING THE DEVICE TO THE MOUNTING PLATE.
- 2 TO ATTACH THE IQvitals DEVICE TO THE MOUNTING PLATE (ITEM 3), LINE UP THE MOUNTING PLATE WITH THE INSERT IN THE BOTTOM OF THE IQvitals DEVICE. PULL DOWN AND HOLD THE SET PIN (ITEM 4) LOCATED UNDERNEATH THE MOUNTING PLATE WHILE SLIDING THE IQvitals DEVICE ONTO THE MOUNTING PLATE. WHEN THE IQvitals DEVICE IS SECURELY IN PLACE, ENSURE THE HOLE ON THE BOTTOM OF THE DEVICE LINES UP WITH THE SET PIN AND IS ENGAGED.
- 3 THERE IS A WHITE LOCKING PIN (ITEM 5) LOCATED JUST IN FRONT OF THE SET PIN. TO LOCK THE IQvitals DEVICE TO THE MOUNTING PLATE, TIGHTEN THE LOCKING PIN WITH THE ENCLOSED ALLEN WRENCH. THIS WILL PREVENT THE DEVICE FROM BEING RELEASED FROM THE MOUNTING PLATE.

**CLEANING:** SOLUTIONS USED IN CONJUNCTION WITH THIS PRODUCT MAY BE CORROSIVE. IT IS RECOMMENDED TO WIPE DOWN THE PRODUCT ONCE A WEEK MORE OFTEN IF REQUIRED WITH A DAMP TOWEL AND A MILD CLEANING SOLUTION. **NOTE:** IF SOLUTION SPILLS ON PRODUCT, CLEAN IMMEDIATELY.