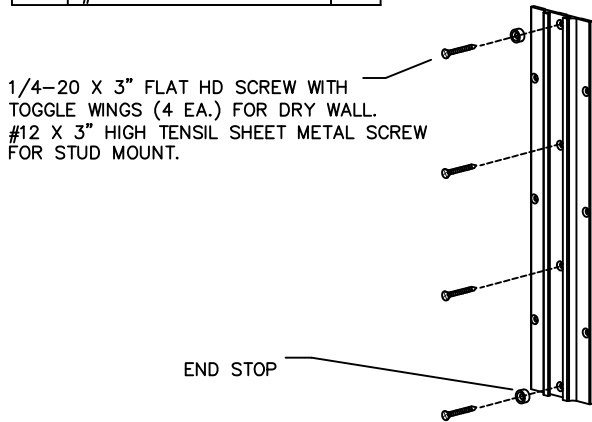


# Assembly Instructions For: Midmark IQvitals® Wall Mount Part # 3-009-0003

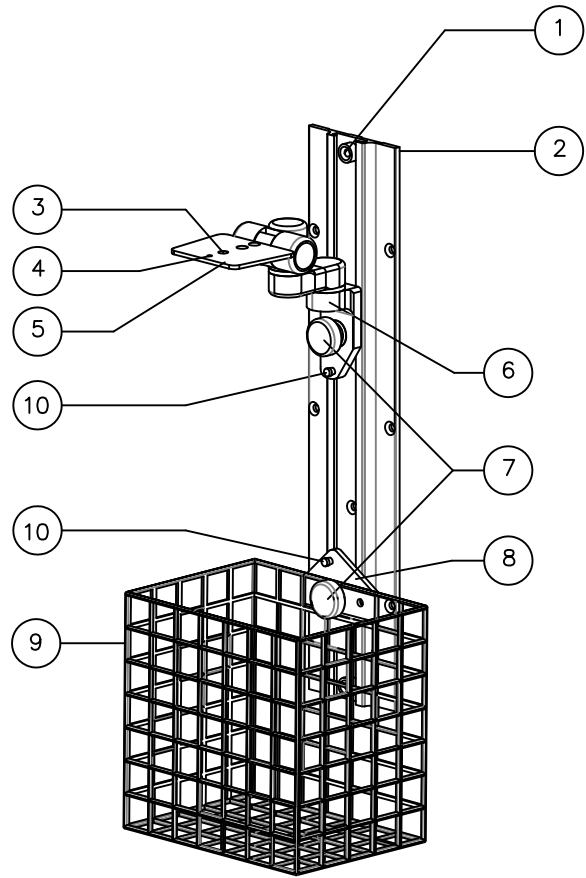
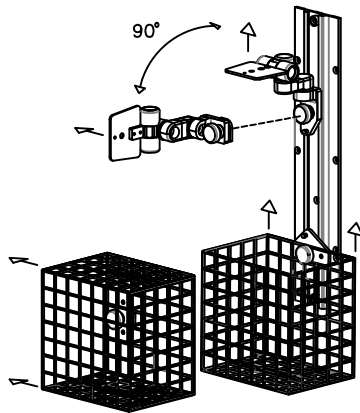
21-60-00720216 REV B

PARTS LIST		
ITEM	DESCRIPTION	QTY
1	END STOP	2
2	WALL TRACK	1
3	SET PIN	1
4	LOCKING PIN	1
5	DEVICE MOUNT PLATE	1
6	TRACK ATTACHMENT	1
7	KNOB	2
8	BASKET MOUNT	1
9	BASKET	1
10	SAFETY CATCH PIN	2
11	ALLEN WRENCH	1
SCREW OPTIONS	1/4-20 X 3 PHILL FLAT	4
	1/4-20 TOGGLE	4
	#10 X 2 FL HD SMS	10
	# 12 X 3 FL HD SMS	4

**DIAGRAM 1**



**DIAGRAM 2**



**Midmark Corporation**  
690 Knox Street, Suite 100  
Torrance, CA 90502  
800-624-8950  
midmark.com

**NOTE INSTALLATION:**

WHEN MOUNTING THE WALL MOUNT TRACK SYSTEM, IT IS THE FACILITIES AND IT'S CONSULTANTS / CONTRACTORS RESPONSIBILITY TO DETERMINE THAT THE WALL CAN ADEQUATELY SUPPORT THE WALL TRACK SYSTEM WITH ALL IT'S INTENDED INSTRUMENTATION AND ACCESSORIES. IT IS ALSO IMPORTANT TO SELECT THE PROPER FASTENERS FOR THE INSTALLATION METHOD USED. THE MAXIMUM LOAD RATING FOR THIS SYSTEM IS 20 LBS. IT IS RECOMMENDED A 16 GAGE STEEL STUD SHOULD BE LOCATED FOR PURPOSE OF ATTACHING THE WALL CHANNEL IN REMODELED OR NEW CONSTRUCTION.

- 1 ATTACH THE WALL TRACK (ITEM 2) TO THE WALL AS SHOWN IN DIAGRAM 1. ADDITIONAL HOLES ALONG THE SIDES OF THE WALL TRACK CAN BE USED TO PROVIDE REINFORCEMENT. SEVERAL SCREW OPTIONS ARE INCLUDED WITH THIS WALL MOUNT FOR YOUR CONVENIENCE.
- 2 THE SWIVEL ARM AND BASKET HAVE A SAFETY QUICK RELEASE FEATURE. TO ATTACH THE SWIVEL ARM (ITEM 6) TO THE WALL TRACK ROTATE COUNTER CLOCKWISE FROM UPRIGHT POSITION 90 DEGREES TO THE LEFT. SLIDE THE SWIVEL ARM TRACK MOUNT (ITEM 6) INTO THE SLOT AS SHOWN IN DIAGRAM 2. TURN THE SWIVEL ARM CLOCKWISE WHILE PULLING THE SAFETY CATCH PIN (ITEM 10) TO RETURN TO THE UPRIGHT POSITION AS SHOWN. TO FIRMLY SECURE THE ITEM TO THE WALL TRACK, TURN THE KNOB (ITEM 7) UNTIL TIGHTENED. REPEAT STEPS FOR BASKET INSTALLATION. FOR REMOVAL LOOSEN KNOB, PULL SAFETY CATCH PIN, AND ROTATE 90 DEGREES COUNTER CLOCKWISE TO DISENGAGE UNIT FROM THE WALL TRACK.
- 3 TO ATTACH THE IQvitals (PC) DEVICE TO THE MOUNTING PLATE (ITEM 5), LINE UP THE MOUNTING PLATE WITH THE INSERT IN THE BOTTOM OF THE IQvitals (PC) DEVICE. PULL DOWN AND HOLD THE SET PIN (ITEM 3) LOCATED UNDERNEATH THE MOUNTING PLATE WHILE SLIDING THE IQvitals (PC) DEVICE ONTO THE MOUNTING PLATE. WHEN THE IQvitals (PC) DEVICE IS SECURELY IN PLACE, ENSURE THE HOLE ON THE BOTTOM OF THE DEVICE LINES UP WITH THE SET PIN AND IS ENGAGED.
- 4 THERE IS A WHITE LOCKING PIN (ITEM 4) LOCATED JUST IN FRONT OF THE SET PIN. TO LOCK THE IQvitals (PC) DEVICE TO THE MOUNTING PLATE, TIGHTEN THE LOCKING PIN WITH THE ENCLOSED ALLEN WRENCH. THIS WILL PREVENT THE DEVICE FROM BEING RELEASED FROM THE MOUNTING PLATE.

**CLEANING:** SOLUTIONS USED IN CONJUNCTION WITH THIS PRODUCT MAY BE CORROSIVE. IT IS RECOMMENDED TO WIPE DOWN ONCE A WEEK MORE OFTEN IF REQUIRED WITH A DAMP TOWEL AND A MILD CLEANING SOLUTION.