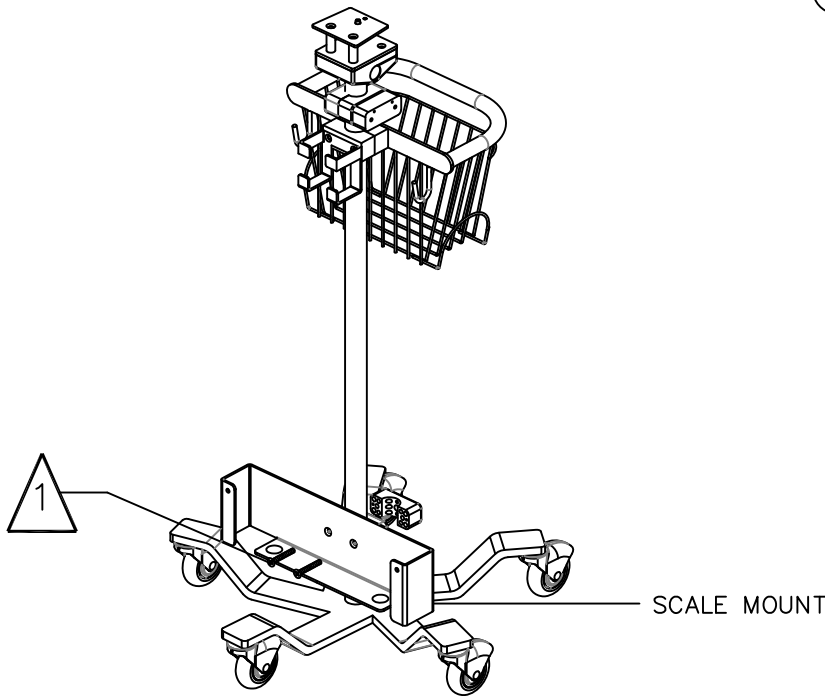
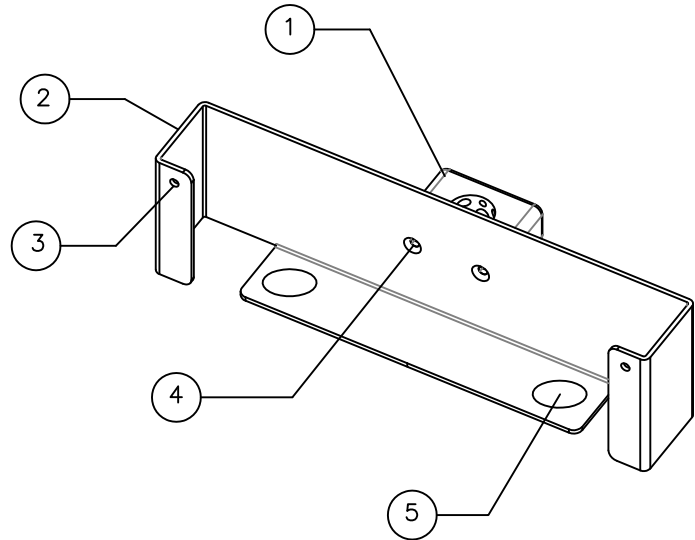


PARTS LIST		
ITEM	DESCRIPTION	QTY
1	MOUNT BLOCK	2
2	SCALE MOUNT	1
3	RUBBER BUMPER	2
4	SCREW	2
5	CUSHIONED PAD	2
WALL OPTION	1/4-20 TOGGLE	2



## ASSEMBLY INSTRUCTIONS:

•TOOLS REQUIRED: PHILIPS SCREW DRIVER, 11/16 DRILL BIT AND DRILL (FOR WALL MOUNT ONLY)

**1** TO INSTALL THE SCALE MOUNT ON THE IQvitals CART: REMOVE SCREWS (ITEM 4) FROM SCALE MOUNT ASSEMBLY. PLACE ONE HALF OF THE MOUNT BLOCK (ITEM 1) ON ONE SIDE OF THE POLE. PLACE THE OTHER HALF OF THE MOUNT BLOCK WITH SCALE MOUNT (ITEM 2) ON THE OTHER SIDE OF THE POLE AS SHOWN IN THE ABOVE FIGURE. REINSTALL SCREWS AND TIGHTEN SECURELY. PLACE THE DIGITAL SCALE UPRIGHT INTO SCALE MOUNT.

TO ATTACH THE SCALE MOUNT TO THE WALL:

1. USE AN 11/16 DRILL TO DRILL TWO CLEARANCE HOLES 2 INCHES APART FOR THE 1/4-20 TOGGLE BOLTS.
2. REMOVE MOUNT BLOCKS (ITEM 1) FROM SCALE MOUNT ASSEMBLY. THE MOUNT BLOCKS WILL NOT BE NEEDED FOR WALL ATTACHMENT.
3. ATTACH THE TWO 1/4-20 TOGGLE BOLTS TO THE SCREWS (ITEM 4).
4. HOLD SCALE MOUNT AND PUSH THE SCREWS WITH THE 1/4-20 TOGGLE BOLTS INTO THE CLEARANCE HOLES. ENSURE THE TOGGLE BOLTS OPEN. TIGHTEN SCREWS TO SECURELY ATTACH THE SCALE MOUNT TO THE WALL.

NOTE: ESTIMATED LOAD RATING IS 5 lbs. OR UNDER. IT IS ALSO RECOMMENDED NOT TO ATTACH THE SCALE MOUNT MORE THAN ONE FOOT ABOVE THE FLOOR SURFACE.

**CLEANING:** SOLUTIONS USED IN CONJUNCTION WITH THIS PRODUCT MAY BE CORROSIVE. IT IS RECOMMENDED TO WIPE DOWN THE STAND ONCE A WEEK MORE OFTEN IF REQUIRED WITH A DAMP TOWEL AND A MILD CLEANING SOLUTION. **NOTE:** IF SOLUTION SPILLS ON BASE, CLEAN IMMEDIATELY.