



# Control Panel Installation

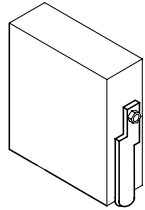
**Contents:**  
 Panel Assembly..... 1  
 Wall Anchors..... 4  
 Screws #6 x 1"..... 4  
 Screws #6-32 x 1/2" 4  
 Language of origin: English

**Intended Use:**  
 To provide a remote means of controlling dental equipment from inside the office area.

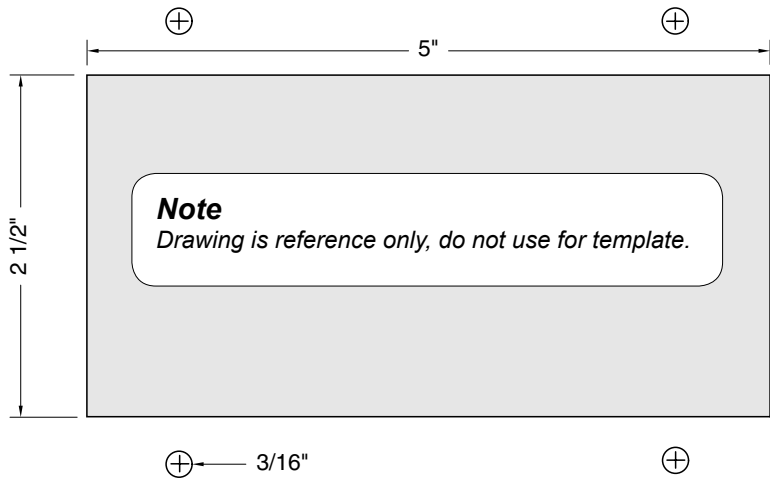
**Restrictions:**  
 Install control panel according to local codes. Although control panel can be installed directly into sheet rock, many local codes require the use of a junction box.

**Note**  
 Control Panels will mount directly to a 3 or 4 gang junction box. See chart in this document to determine correct junction box size.

**Step 1:** Shut power supply off at circuit breaker box.



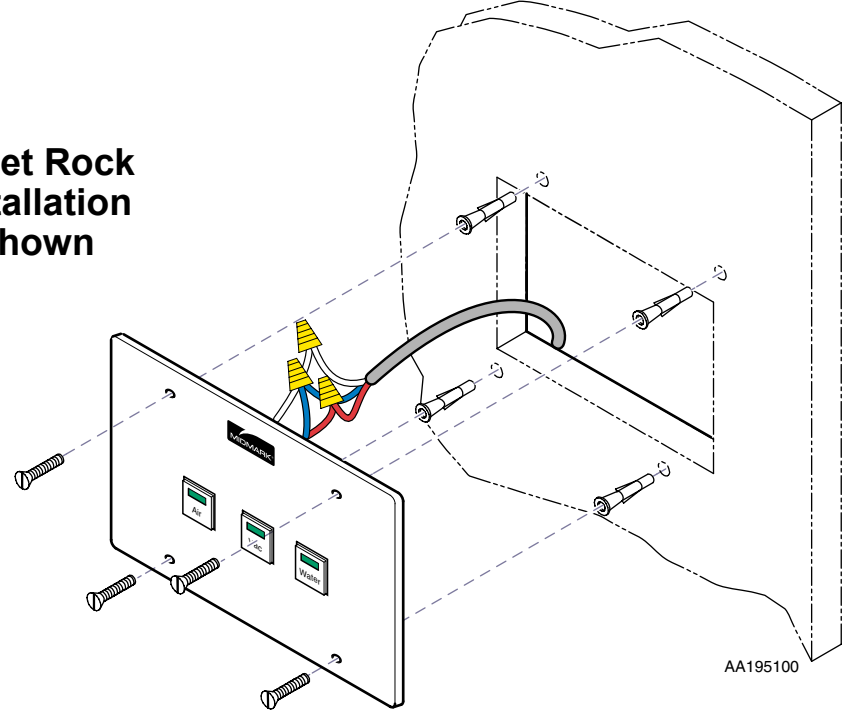
**Step 2:** Cut out 5" x 2 1/2" area in sheet rock.



**Step 3:** Mark mounting hole locations using the front cover as a template. Drill (4) 3/16" holes in spread as shown. Install anchors.

**Step 4:** Route one 18-3 bell wire from each piece of equipment through opening in sheet rock. Attach control panel wires to color corresponding wires.

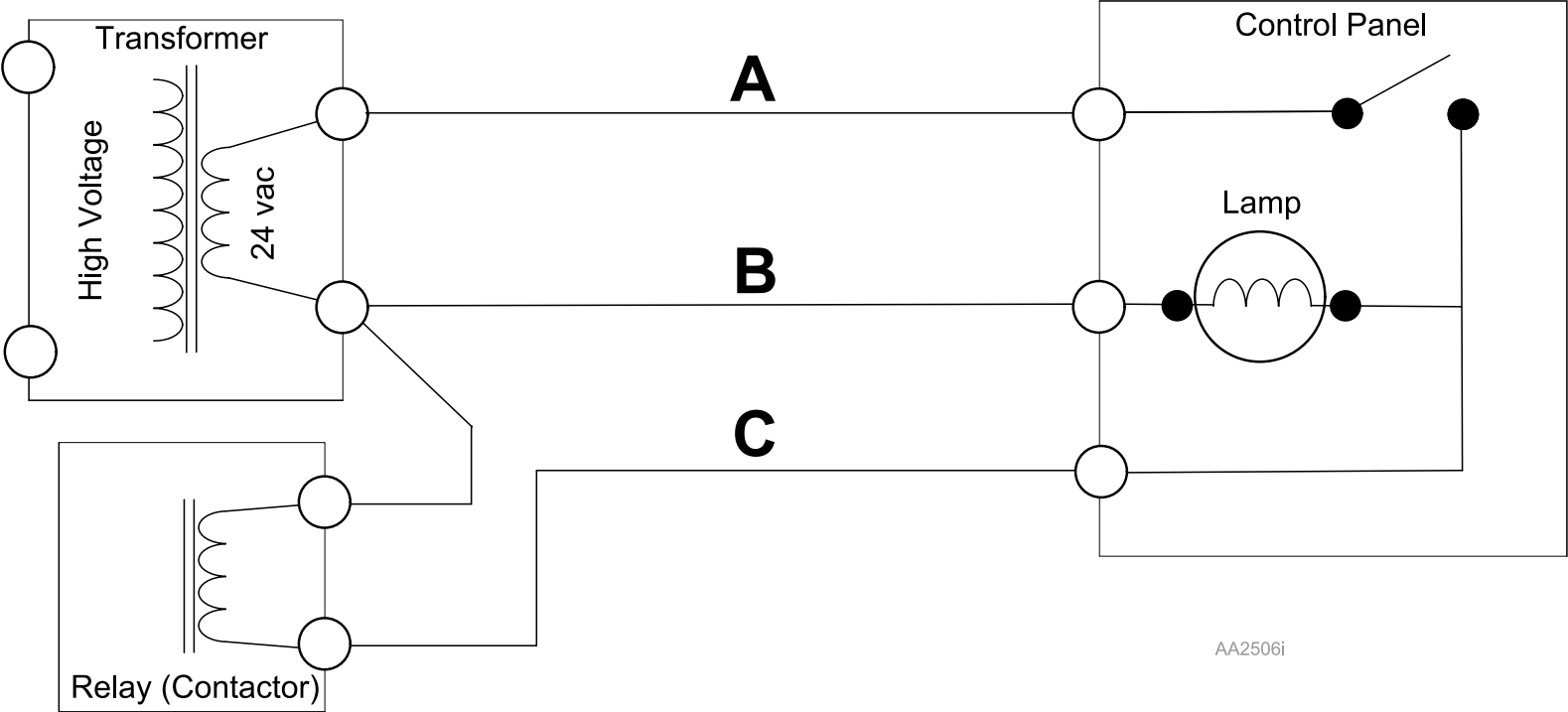
## Sheet Rock Installation Shown



**Step 5:** Screw front cover to sheet rock.

# General Wiring / Cross Reference

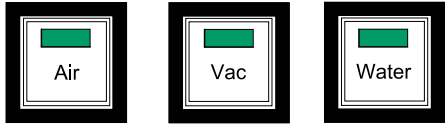
Control Panel Reference Cross Wiring			
Brand	Wire		
	A	B (light)	C
Midmark	Blue	White	Red
Air Techniques	Yellow	Brown	Orange
DentalEz	Black	Brown	Yellow
Matrix	Red	Blue	White
Apollo	Blue	White	Red



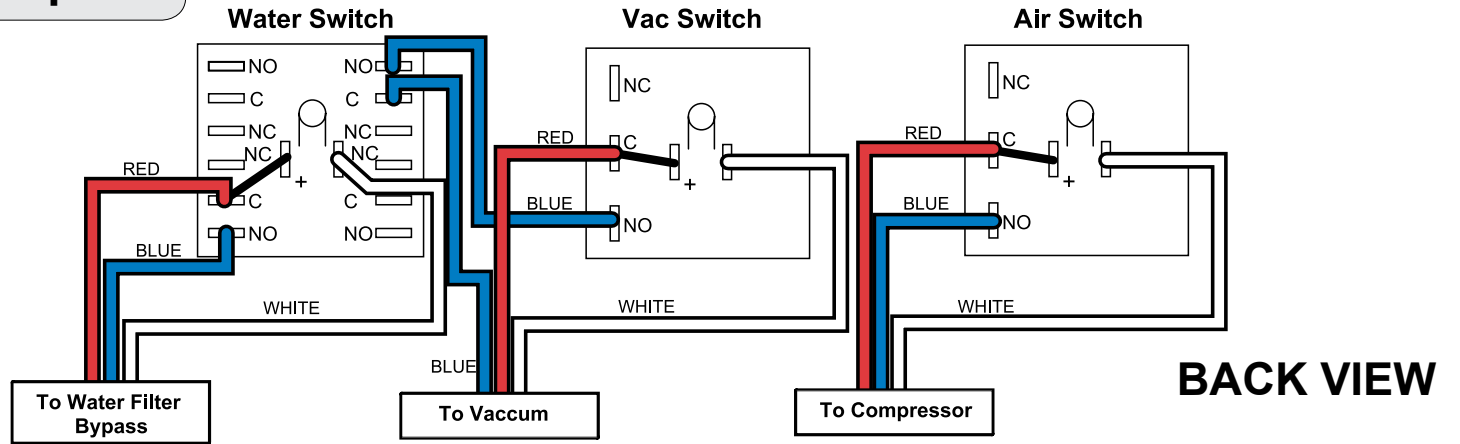
AA2506i

# Midmark Wiring Examples

(LED switches shown)

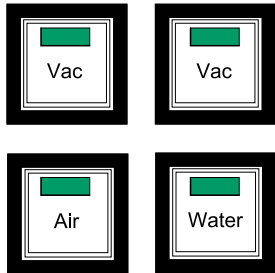


**FRONT VIEW**

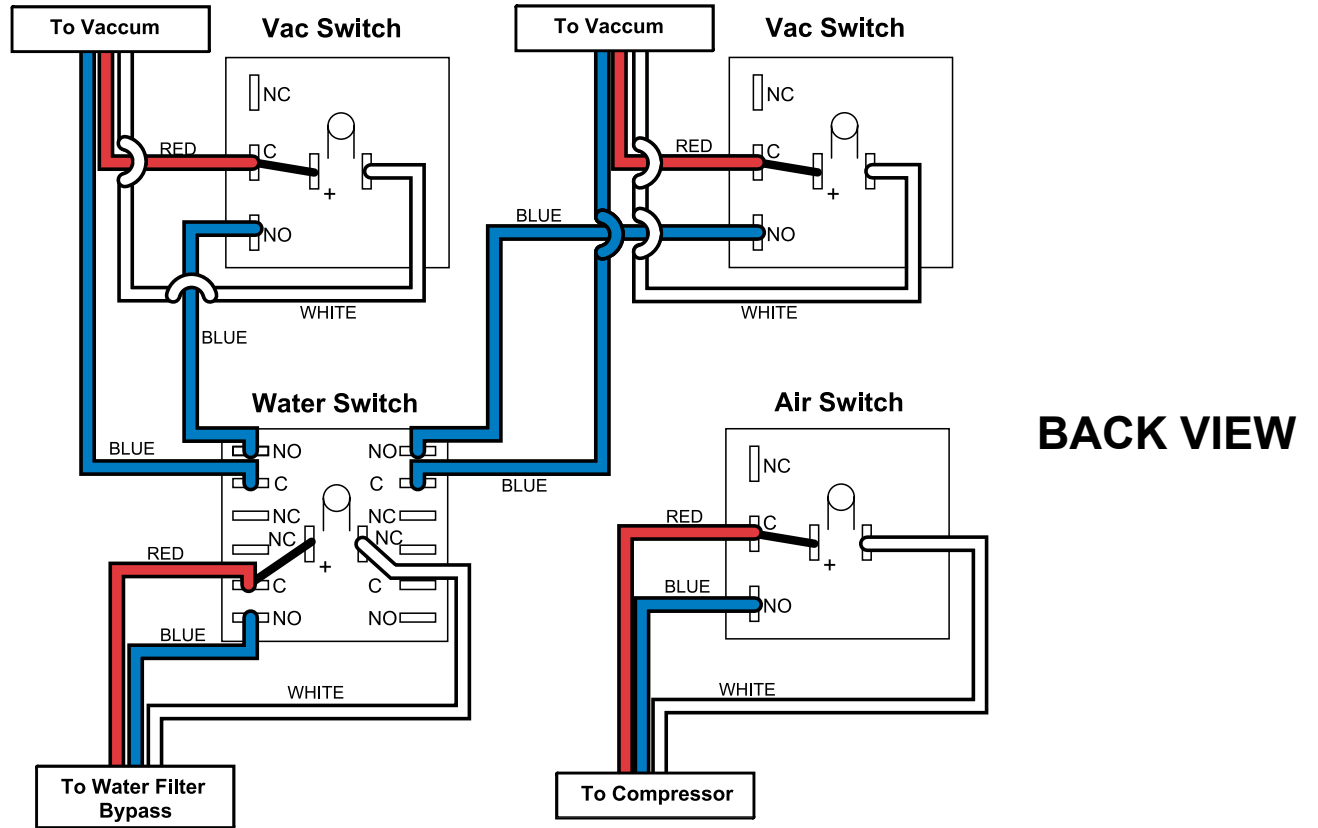


**BACK VIEW**

**FRONT VIEW**



(LED switches shown)

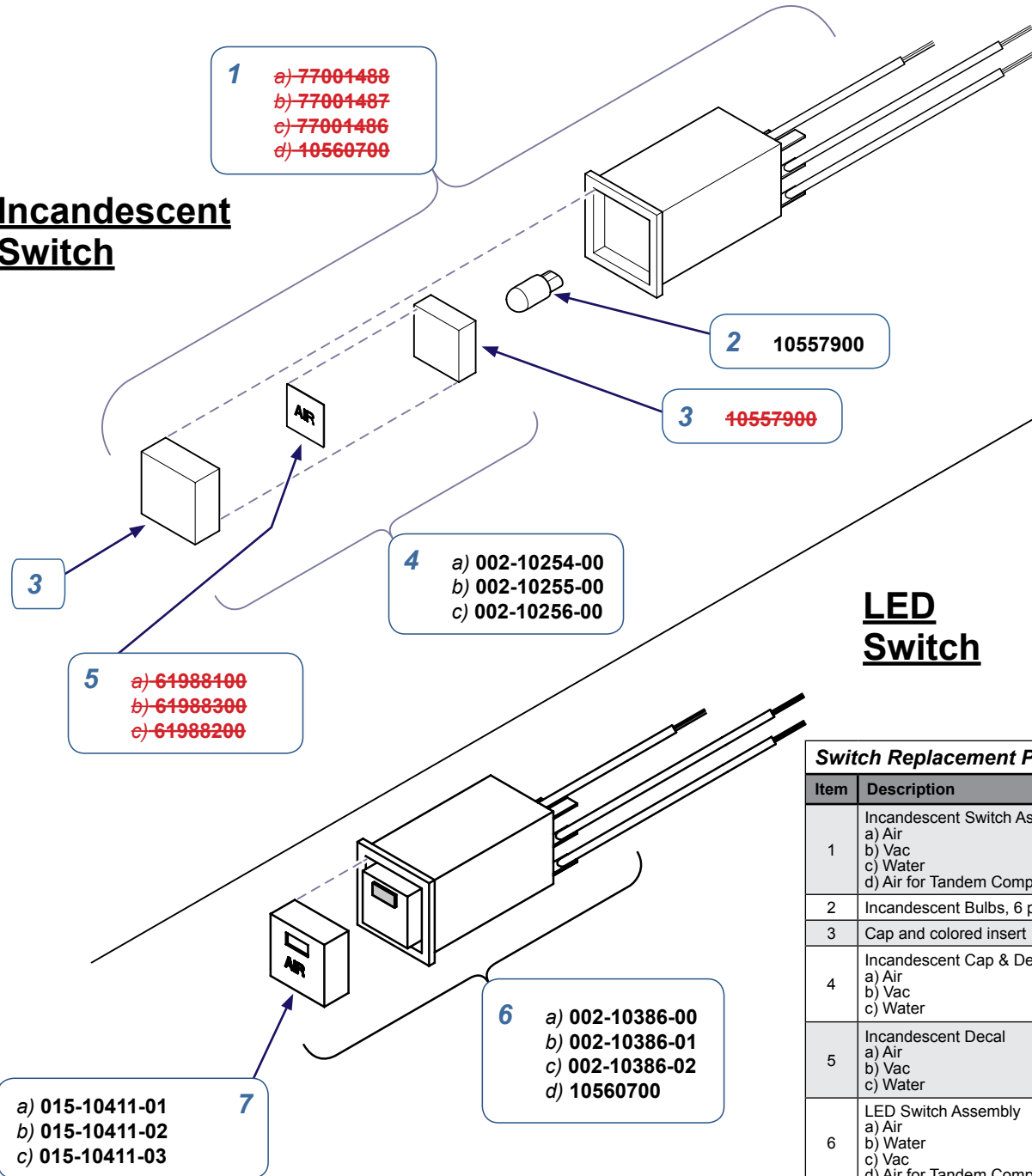


**BACK VIEW**

## Master Control Panel

Part Number	Air	Vac	Water	Gang Box Size
77001584	0	1	0	3
77001589	0	1	1	3
77001587	0	2	0	3
77001591	0	2	1	3
77001594	0	3	1	3
77001601	0	3	3	3
77001585	1	0	0	3
77001586	1	1	0	3
77001590	1	1	1	3
77001592	1	2	0	3
77001593	1	2	1	3
77001595	1	3	0	3
77001597	1	3	1	3
77001596	1	4	0	3
77001602	1	4	2	4
77001588	2	0	0	3
77001598	2	2	1	3
77001600	2	2	2	3
77001599	2	3	1	3
77000830	2	1	1	3
77000868	0	4	0	3
77000998	4	0	0	3

## Incandescent Switch



## LED Switch

Switch Replacement Parts		
Item	Description	Qty.
1	Incandescent Switch Assembly a) Air b) Vac c) Water d) Air for Tandem Compressors	NLA
2	Incandescent Bulbs, 6 pack	1
3	Cap and colored insert	NLA
4	Incandescent Cap & Decal a) Air b) Vac c) Water	1
5	Incandescent Decal a) Air b) Vac c) Water	NLA
6	LED Switch Assembly a) Air b) Water c) Vac d) Air for Tandem Compressors	1
7	LED Cap a) Air b) Water c) Vac	1

NLA = No Longer Available

Plate Only Part Number	Number of Openings
30183201	1
30183301	2
30183401	3
30183501	4
30183601	5
30183701	6
30183901	7

Serial Numbers / Dates:

All