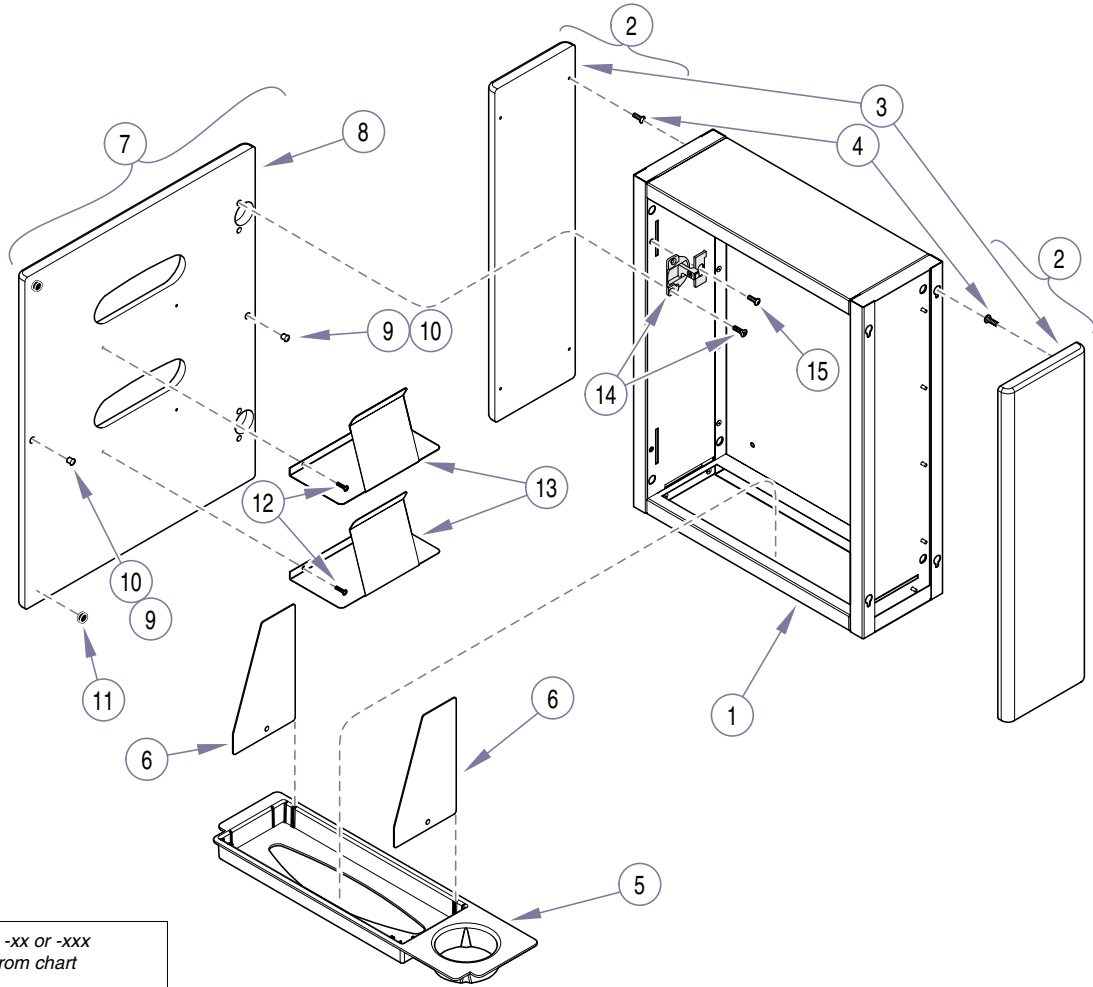


# GLOVE / TOWEL / CUP DISPENSER



Replace -xx or -xxx  
w/code from chart

### Color Chart

|                |            |
|----------------|------------|
| Pebble Grey    | -00 / -216 |
| Natural Maple  | -01 / -329 |
| Tidewood       | -02 / -330 |
| San Pedro      | -03 / -331 |
| Natural Oak    | -04 / -332 |
| Hayward Cherry | -05 / -333 |
| Mahogany       | -06 / -334 |

DA143500i

| Item | Part No.          | Description  | Qty | Item | Part No.          | Description  | Qty |
|------|-------------------|--|-----|------|-------------------|--|-----|
|      | CS-ADS001-xxx     | Glove / Towel / Cup Dispenser<br>(includes items 1 thru 7) ..... | 1   | 7    | • 029-2924-06-xx  | • Door Assembly<br>(includes items 8 thru 15)..... | 1   |
| 1    | • 029-3113-00     | • Shell Assembly .....   | 1   | 8    | •• 063-9990-03-xx | •• Door Panel .....                                | 1   |
| 2    | • 029-3114-00-xx  | • Side Panel Assy.<br>(includes items 3 & 4).....                | 1   | 9    | •• 016-0916-00    | •• Cover Cap .....                                 | 1   |
| 3    | •• 068-0108-00-xx | •• Dispenser Side Panel .....                                    | 2   | 10   | •• 016-0958-01    | •• Magnet Plug .....                               | 1   |
| 4    | •• 040-0010-48    | •• Screw .....   | 8   | 11   | •• 053-0716-00    | •• Bumper.....                                     | 2   |
| 5    | • 053-0955-01     | • Towel / Cup Dispenser.....                                     | 1   | 12   | •• 040-0006-63    | •• Screw .....                                     | 4   |
| 6    | • 050-4108-10     | • Towel Partition Plate .....                                    | 2   | 13   | •• 050-5473-10    | •• Glove Box Retainer Bracket .....                | 2   |
|      |                   |  |     | 14   | •• 016-0510-00    | •• Hinge (includes hardware) .....                 | 2   |
|      |                   |  |     | 15   | •• 040-0010-157   | •• Screw .....                                     | 2   |

Always Specify Model & Serial Number