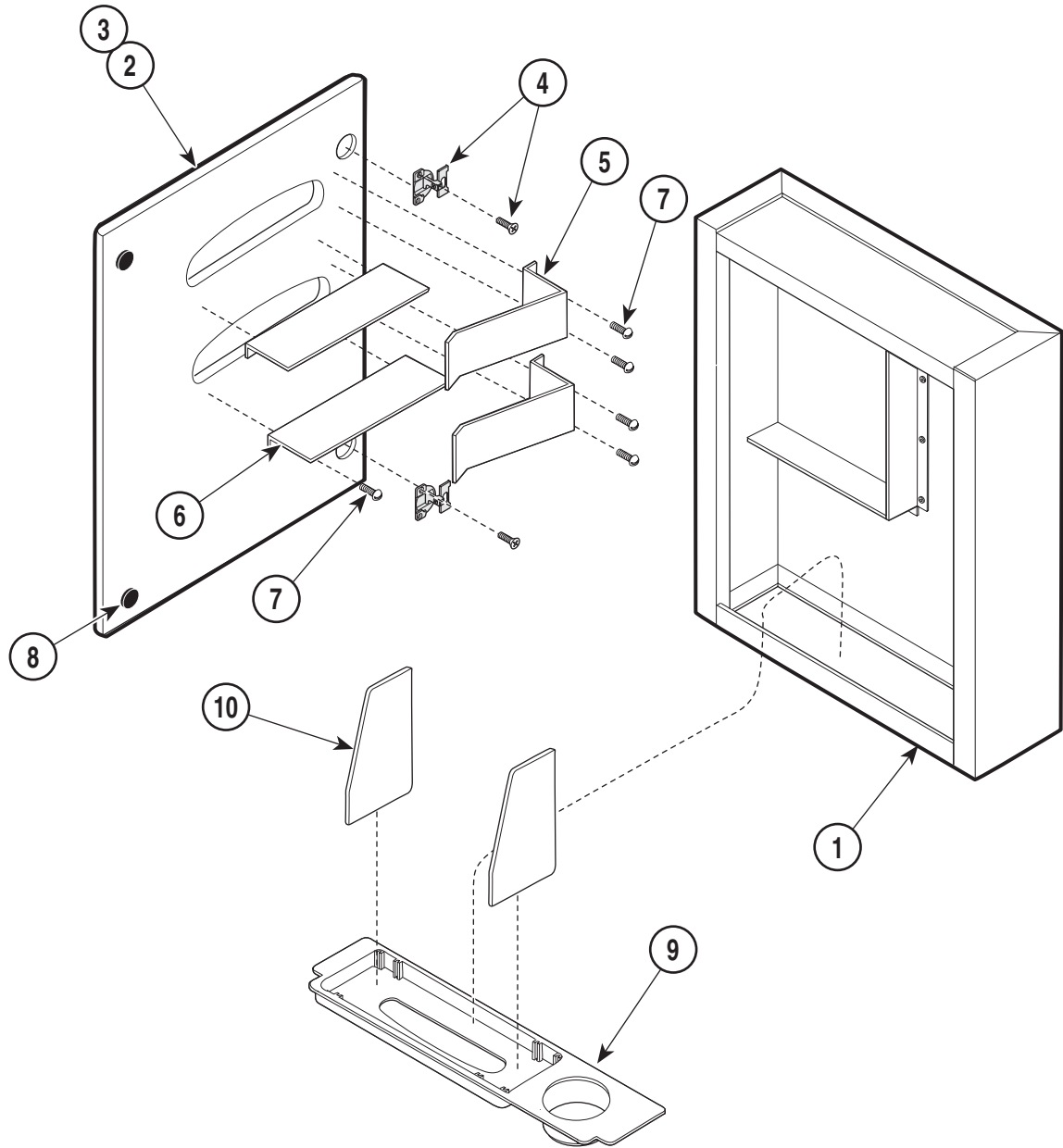


GLOVE / TOWEL / CUP DISPENSER



MA507800

Item	Part No.	Description	Qty	Item	Part No.	Description	Qty
	CS-ADS001	Glove / Towel / Cup Dispenser		5	•• 050-4107-00	•• Glove Box Retainer Bracket.....	2
		(includes items 1 thru 10)	1	6	•• 050-4106-00	•• Glove Box Support Bracket.....	2
1	• 030-1149-10	• Shell Assembly	1	7	•• 040-0006-04	•• Screw	10
2	• 029-2380-00	• Door Assembly (includes items 3 thru 8).....	1	8	•• 053-0716-00	•• Bumper	2
3	•• 063-0207-00-253	•• Door Panel	1	9	• 053-0955-00	• Towel / Cup Dispenser.....	1
4	•• 016-0510-00	•• Hinge (includes hardware)	2	10	• 050-4108-00	• Towel Partition Plate	2

Always Specify Model & Serial Number