

**Attention!**

For **OSHPD** Regulated Installations, please go to [www.midmark.com](http://www.midmark.com) to download the appropriate OSHPD Approval and Installation documents.

## Installation Hardware

### Tools required:

Electric Drill with driver extension  
Phillips head screwdriver/bit  
1/2" Drill Bit  
Punch  
Stud Finder (optional)

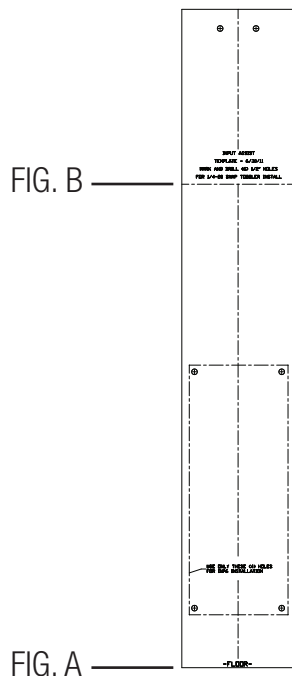
### Parts Included:

(1) Height Adjustable Column Assembly  
(1) Monitor Track Assembly  
(1) Keyboard Pivot Housing Assembly  
(1) Keyboard Platform Assembly  
(1) Track Guide Assembly  
(1) Flip-up Shelf Assembly  
(1) Mounting Template  
(8) Hilti Snaptoggle Heavy-Duty Toggle Bolts (2 extra)

(2) 1/4-20 x 2" Long Phillips Drive Pan Head Machine Screws  
(4) 1/4-20 x 3" Long Phillips Drive Pan Head Machine Screws  
(2) #10-24 x 1 1/4" Pan Head Phillips Drive Screws  
(4) 1/4" Flat Washers  
(4) 1/4-20 x 1 1/4" Long Phillips Drive Pan Head Machine Screws  
(4) 10-24 x 1/2" Long Phillips Drive Flat Head Machine Screws  
(4) M4-0.7 x 10mm Long Phillips Drive Flat Head Machine Screws  
(4) M4-0.7 x 16mm Long Phillips Drive Flat Head Machine Screws  
(4) #8-32 x 1/4" Long Phillips Drive Flat Head Machine Screws  
(1) Cable Management Cover  
(1) TechFlex Cable Management Sleeve  
(8) Dual Lock Velcro Squares  
(3) 1/16" Thick Shims  
(1) Mouse House

### Toggle Bolt Installation Preparation:

- 1 a. Place mounting template on wall (See FIG.A).  
**Note: Place bottom line of template on floor. This will position Input for a working range of 29" - 47" height range.**
- b. Compare level to line printed on template to ensure mounting template is perfectly level (See FIG. B).
- c. Use punch to locate holes in wall as marked on template.



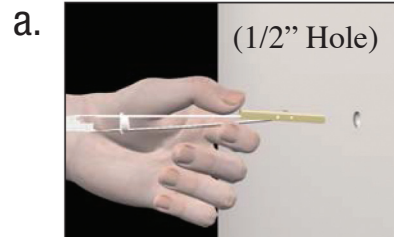
### Toggle Bolt Installation Instructions:

2

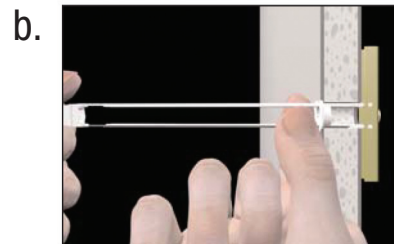


#### Caution

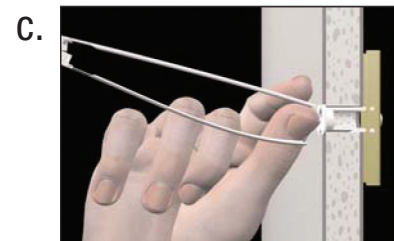
Proper installation of toggle bolts required to provide secure wall mounting. Minimum drywall thickness to be 1/2".



Drill 1/2" size hole. Hold metal channel flat alongside plastic straps and slide channel through the hole. Minimum clearance behind wall: only 1 7/8"



Hold ends of straps together between thumb & forefinger and pull toward you until channel rests behind wall. Ratchet cap along straps with other hand until flange of cap is flush with wall.



Place thumb between straps at wall. Push thumb side to side, snapping off straps level with flange of cap.

Mounting Height Adjustable Column Assembly & Track Guide to Wall:

Product Assembly (Monitor Track Assembly):

**3 Prior to installing the Height Adjustable Column Assembly to wall, attach column mounted accessory (If applicable)!**

a. Align mounting holes with toggler bolts in wall. Secure with (4) 1/4-20 x 3" toggler fasteners (See FIG. A.). NOTE: SECURE BOTTOM TWO FASTENERS FIRST (See Fig. B)

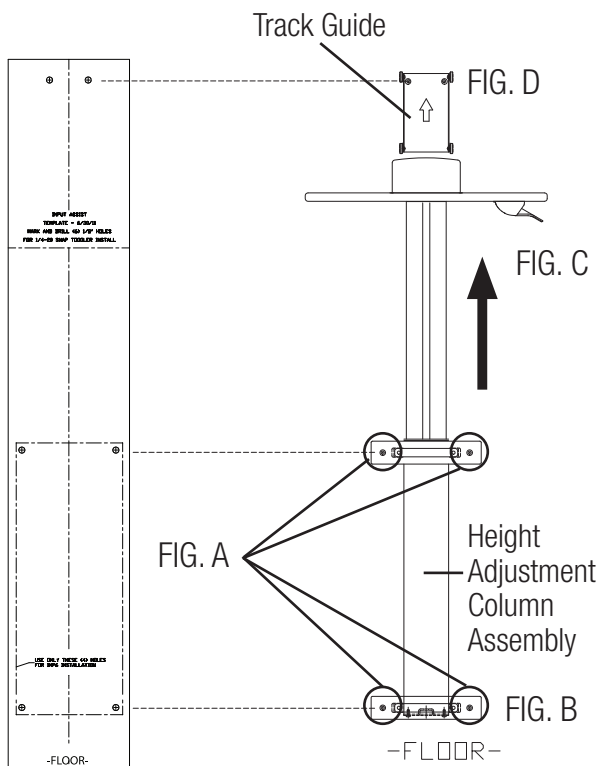
b. Unfasten security strap.

WARNING: COULD EXPAND RAPIDLY!

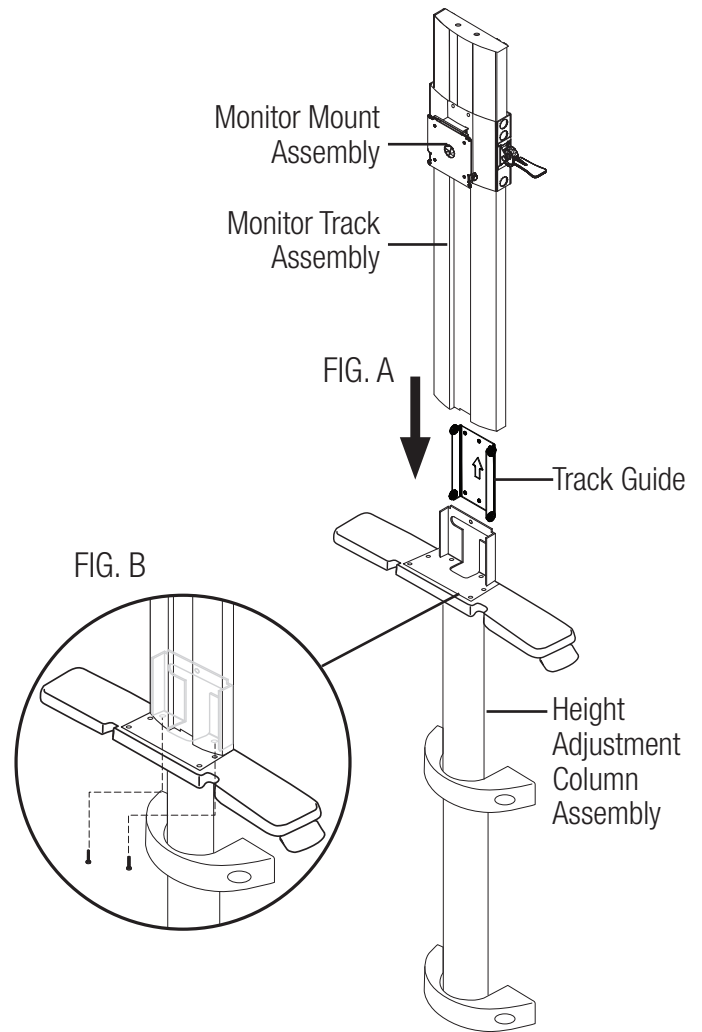
c. Depress lever and adjust height adjustment column assembly up to the highest position (See FIG. C).

d. Align top (2) holes in track guide with previously installed toggler fasteners.

Secure track guide with (2) 1/4-20 x 2" Long phillips drive pan head machine screws (See FIG. D).



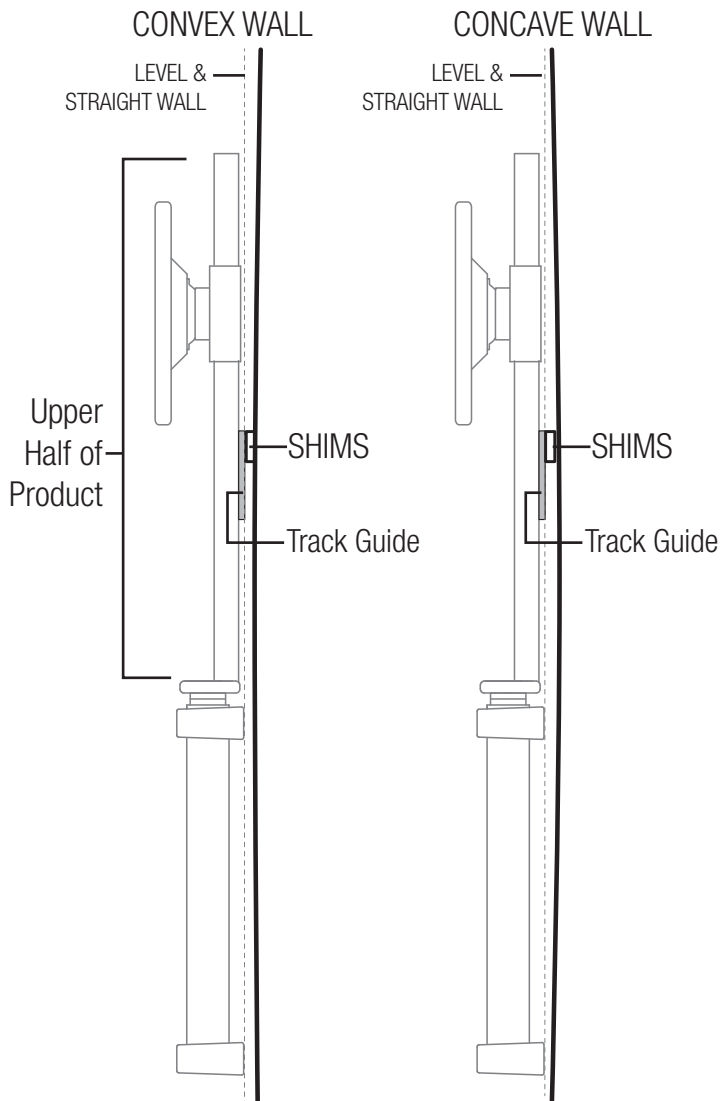
- 4**
- a. Slide Monitor Track Assembly into track guide then into height adjustable column assembly (See Fig. A).
  - b. Attach and fasten rear (2) #10 x 1 1/4" Pan Head Phillips Drive Screws (See FIG. B).



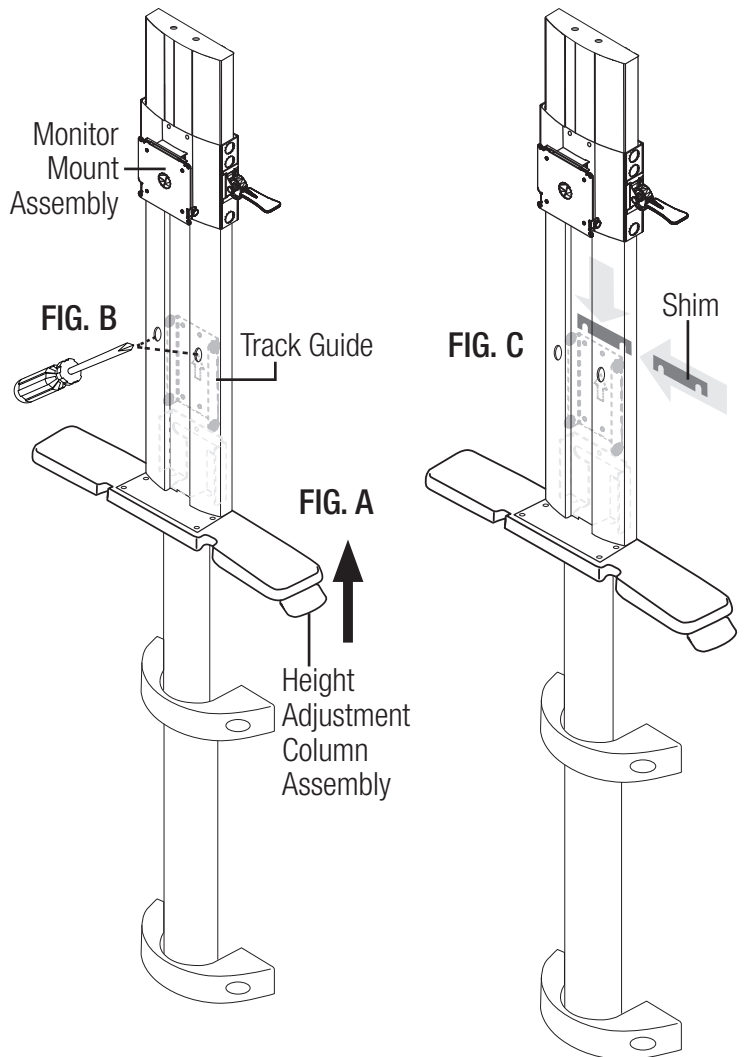
**Straight and Level Wall**

**Wall-Mount Track Guide Shimming**

- 5** a. A NOT level/straight wall may effect the height adjustment performance of the wall mounted workstation. If wall-mounted workstation is rubbing against wall, proceed to Step 6 for shim installation.



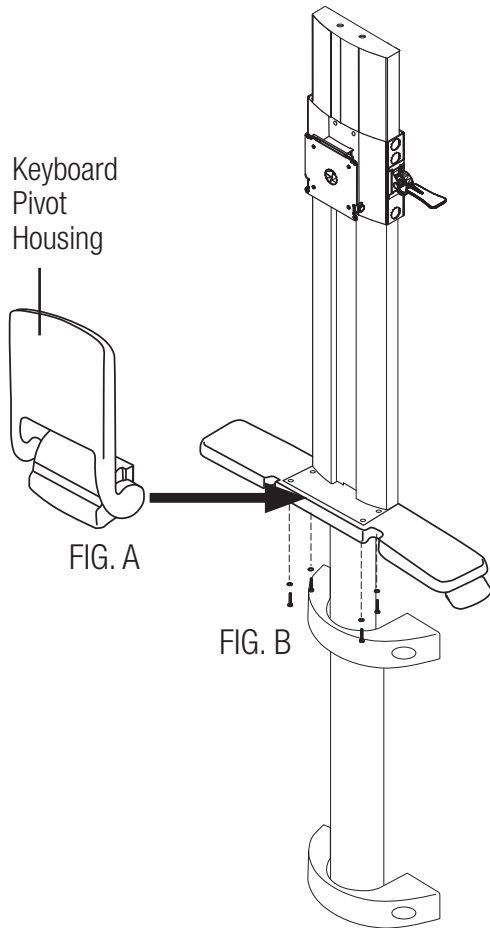
- 6** a. Adjust Height Adjustment Column Assembly to its highest position (See FIG. A).
- a. Loosen Track Guide by **loosening (Not Removing)** the (2) 1/4-20 x 2" Long Phillips Drive Pan Head Machine Screws (See FIG. B).
- b. Insert (upto 3) shims in between wall and Track Guide. Slide Down onto loosened screws (See FIG. C).
- c. Tighten screws on Track Guide.



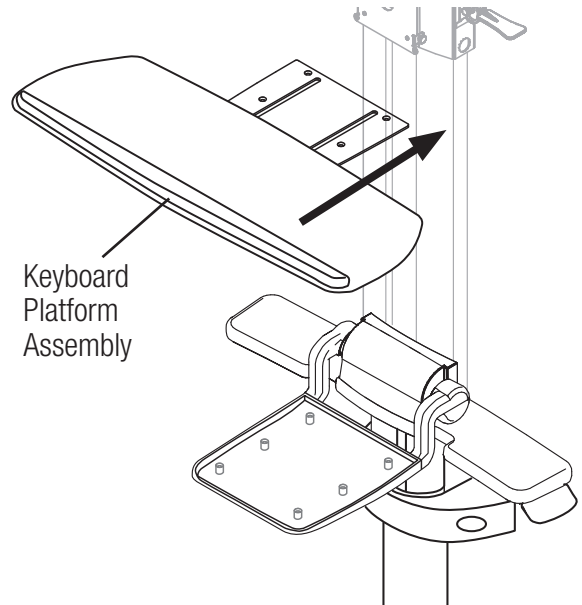
**Product Assembly (Keyboard Pivot Housing):** **Product Assembly (Keyboard Platform):**

- 7** a. Position Keyboard Pivot Housing Assembly onto height adjustable column assembly (FIG. A).

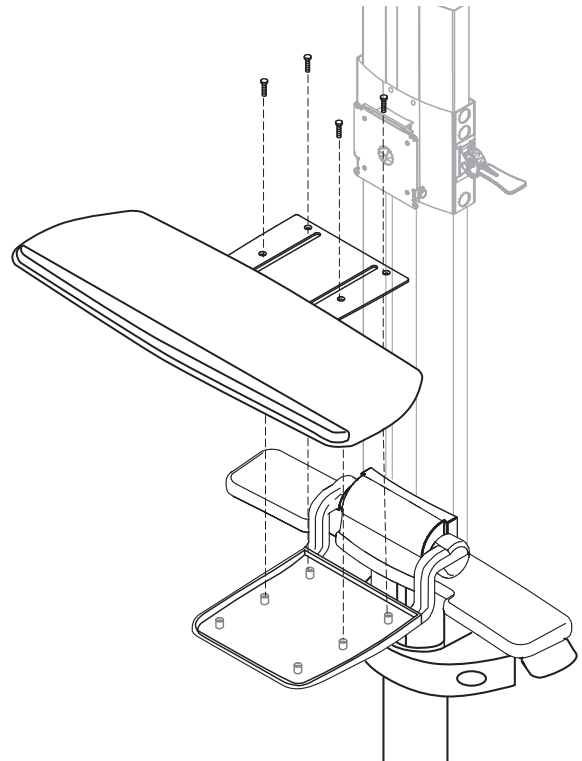
Attach and fasten (4) 1/4-20 x 1 1/4" Long Phillips Drive Pan Head Machine Screws and (4) 1/4" Washers (FIG. B).



- 8** a. To attach the Keyboard Platform Assembly to the Keyboard Pivot Housing Assembly, slide out guide plate from keyboard platform.

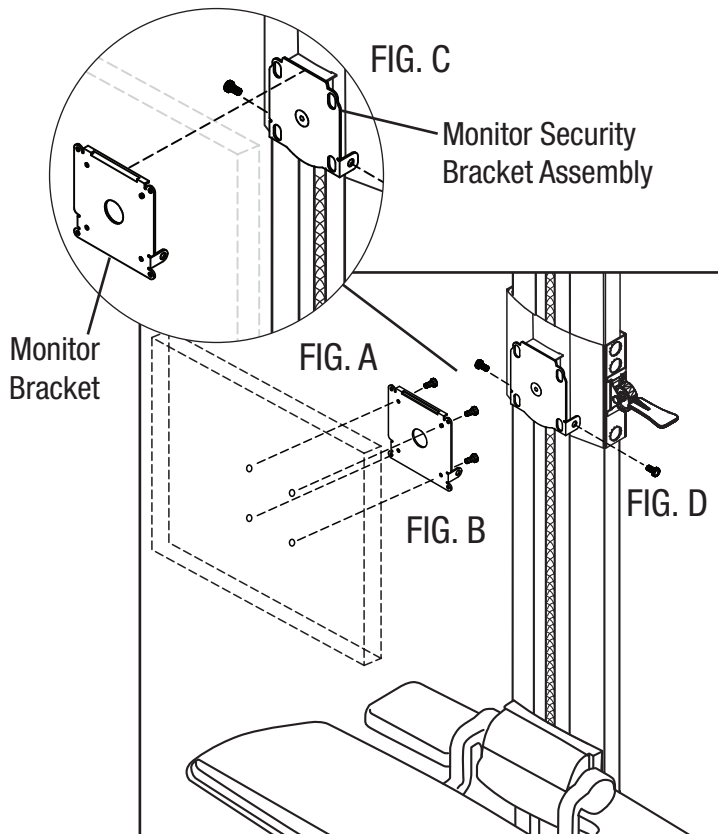


- b. Attach Keyboard Platform Assembly to Keyboard Pivot Housing Assembly by securing with (4) #10-24 x 1/2" Long Phillips Drive Flat Head Machine Screws.



## Attach Monitor to Bracket:

- 9**
- Align VESA mounting hole pattern on monitor with mounting pattern on Monitor Bracket (See FIG. A).
  - Attach Monitor Bracket to Monitor. Secure with either (4) M4-0.7 x 10mm or (4) M4-0.7 x 16mm Long Phillips Drive Flat Head Machine Screws (See FIG. B).
  - Attach monitor with Monitor Bracket to Monitor Security Bracket Assembly.
- Note: Monitor Bracket has a top slot which the Monitor Security Bracket Assembly fits into (See FIG. C).
- Secure brackets with two (2) #10-24 x 1/2" Long Phillips Drive Pan Head Machine Screws (See FIG. D).



## Upper Cable Management:

**10** Upper Cable Management: For CPU's, monitors:

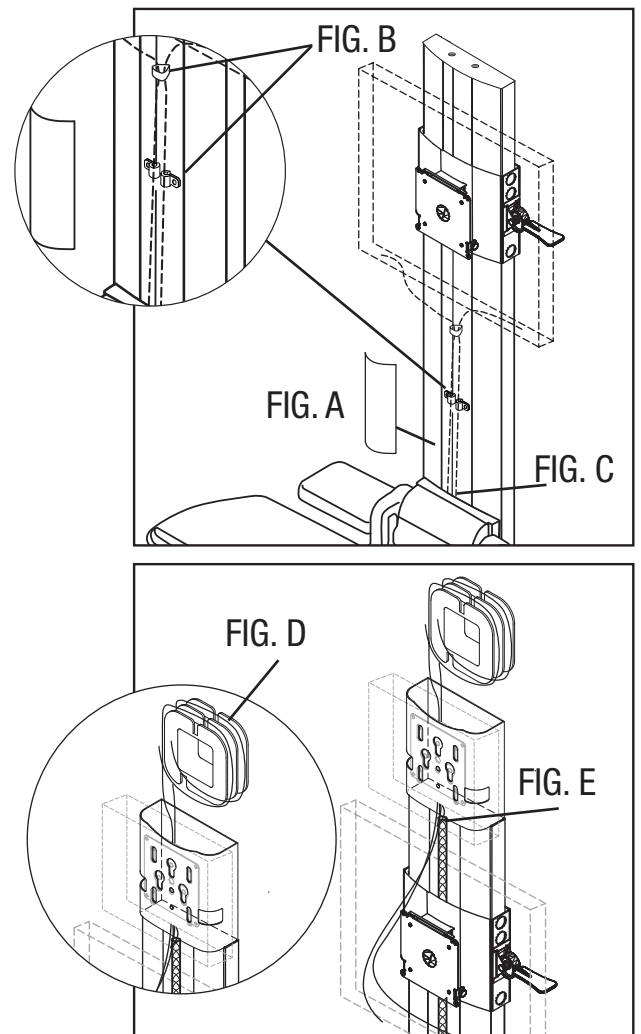
**For Monitor cables:** Remove Cable Management Cover (See FIG. A). Place in channel and zip-tie cables at the top by monitor (See FIG. B).

Cable clips are to be used for keyboard and mouse cables only (See FIG. B).

Continue to run cables behind keyboard pivot housing (See FIG. C).

Reinstall cable management cover when finished (See FIG. A).

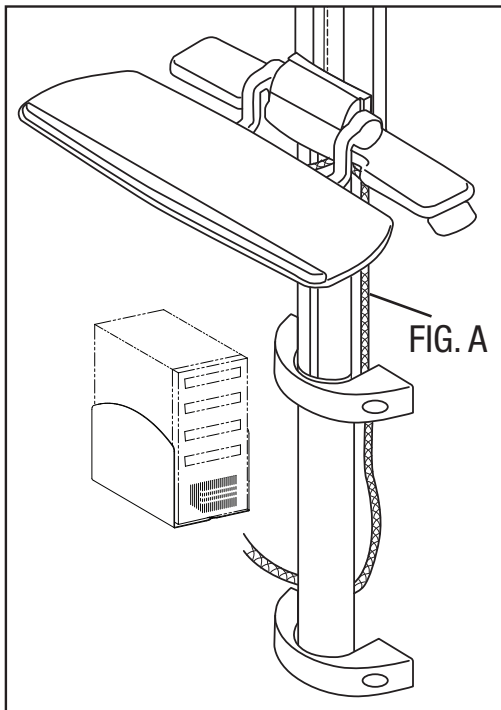
**For Upper CPU's:** Cables can be run around the cable management insert (See FIG. D). Additional cables running out of upper cpu holder, can be run down behind Height Adjustable Monitor Bracket (See FIG. E).



**Lower Cable Management:**

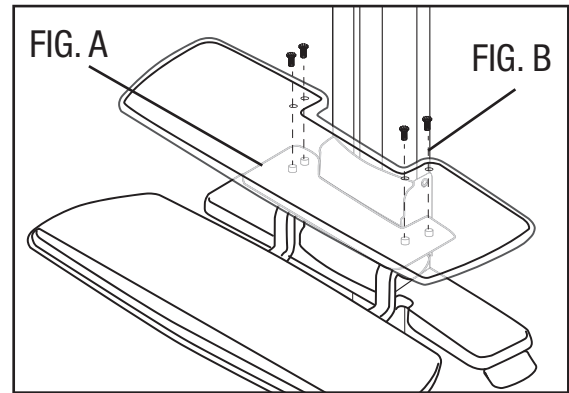
**11 Lower Cable Management: For CPU's, keyboard and mouse:**

Run the tech-flex covered cables through the back of the height adjustable column assembly (See FIG. A).



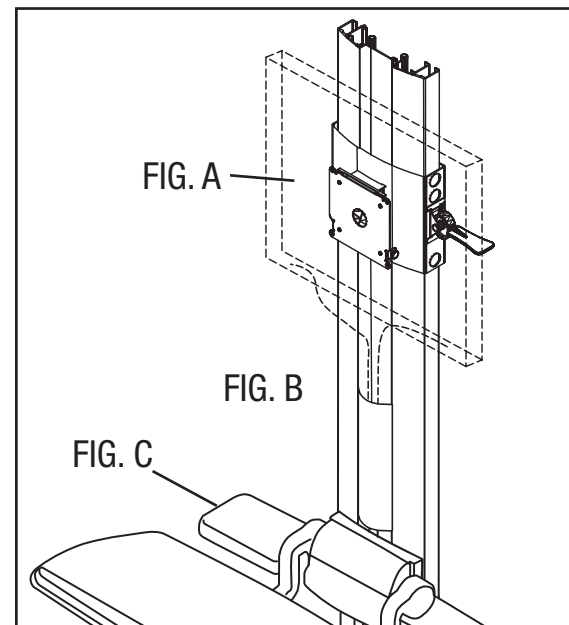
**Flip-up Shelf Attachment:**

- 13** a. To attach Flip-up Shelf to bracket, flip down bracket and place shelf onto bracket (See FIG A).  
 b. Insert and tighten (4) #8-32 x 1/4" Long Phillips Drive Flat Head Machine Screws into top of shelf (See FIG B).



**Mouse House Attachment:**

- 14** There are three different suggested mounting positions for the Mouse House, they are as follows:  
 a. Behind the monitor (See FIG A).  
 b. On the wall (make sure to check this when assembly is adjusted to its highest position) (See FIG. B).  
 c. Underneath small worksurface (See FIG. C).



**Keyboard Attachment:**

- 12** a. Attach (8) Velcro squares together. Peel off film from one side and adhere (4) Velcro Squares to the underside of keyboard.  
 b. Peel off film from the other side squares and attached to keyboard platform (See FIG. B).

