

**Attention!**

For **OSHPD** Regulated Installations, please go to [www.midmark.com](http://www.midmark.com) to download the appropriate OSHPD Approval and Installation documents.

## Installation Hardware

### Tools required:

Electric Drill with driver extension  
Phillips head screwdriver/bit  
1/2" Drill Bit  
Punch  
Stud Finder (optional)

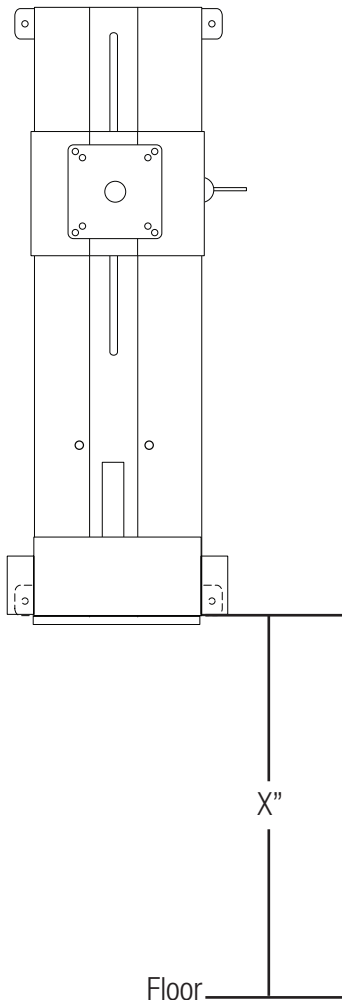
### Parts Included:

(1) Monitor Track/Keyboard Assembly  
(1) Keyboard Platform Assembly

(6) 1/4-20 Hilti Snaptoggle Heavy-Duty Toggle Bolts (2 extra)  
(4) 1/4-20 x 2" Long Phillips Drive Pan Head Machine Screws  
(4) #10-24 x 1/2" Long Phillips Drive Pan Head Machine Screws  
(4) M4-0.7 x 10mm Long Phillips Drive Flat Head Machine Screws  
(4) M4-0.7 x 16mm Long Phillips Drive Flat Head Machine Screws  
(1) Cable Management Cover  
(1) TechFlex Cable Management Sleeve  
(8) Dual Lock Velcro Squares  
(1) Mouse House

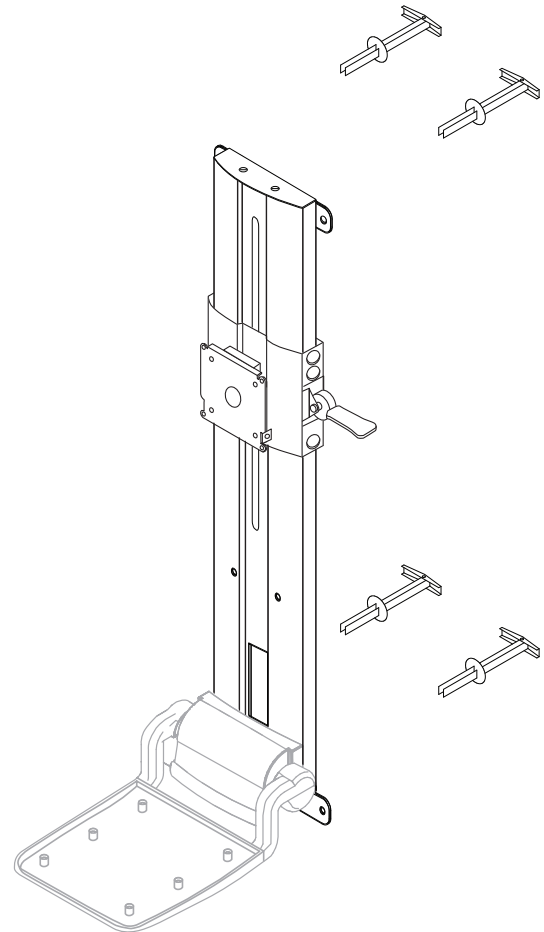
### Drilling Hole Preparation:

- 1** a. Choose desired height position: sitting or standing for height adjustable monitor track assembly and keyboard platform.
- b. Compare level to top of monitor track to ensure it is perfectly plumb.
- c. Use punch to locate holes in drywall.



### Toggler Bolt Installation Preparation:

- 2** a. Install Toggler Bolts (see next page for instructions).



**Toggler Bolt Installation Instructions:**

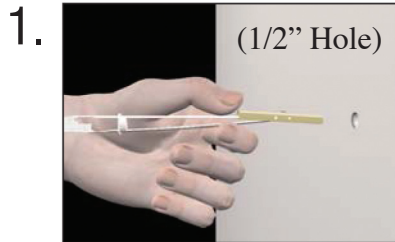
**Mounting Monitor Track Assembly to Wall:**

**3**

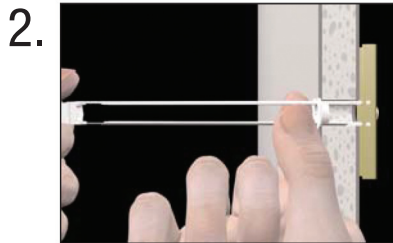


**Caution**

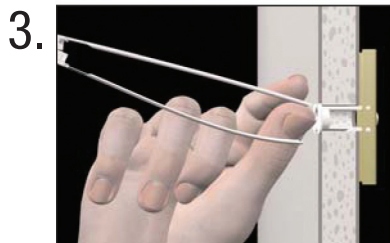
Proper installation of toggler bolts required to provide secure wall mounting. Minimum drywall thickness to be 1/2".



Drill 1/2" size hole. Hold metal channel flat alongside plastic straps and slide channel through the hole. Minimum clearance behind wall: only 1 7/8"



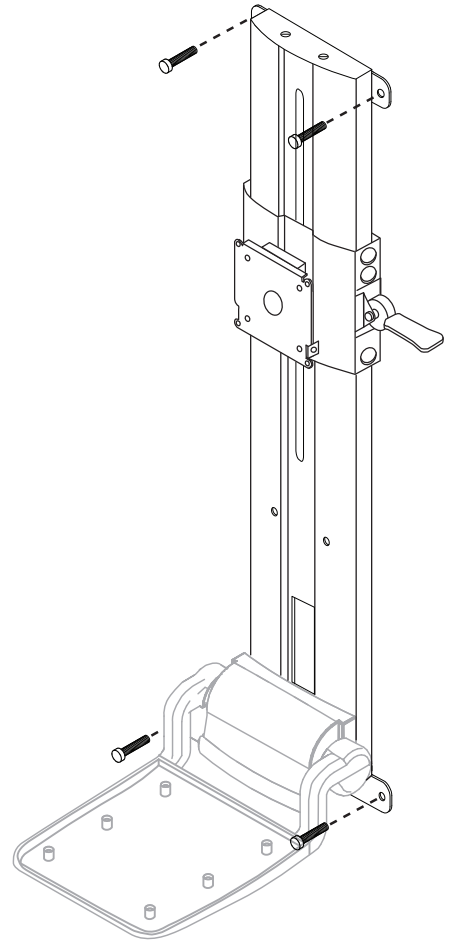
Hold ends of straps together between thumb & forefinger and pull toward you until channel rests behind wall. Ratchet cap along straps with other hand until flange of cap is flush with wall.



Place thumb between straps at wall. Push thumb side to side, snapping off straps level with flange of cap.

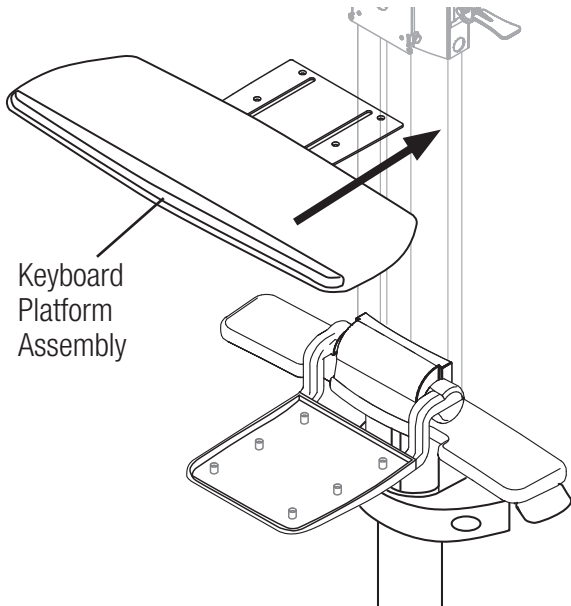
**4**

- a. Align the four monitor track mounting holes with holes in wall. Secure with (4) 1/4-20 x 2" previously installed toggler fasteners.



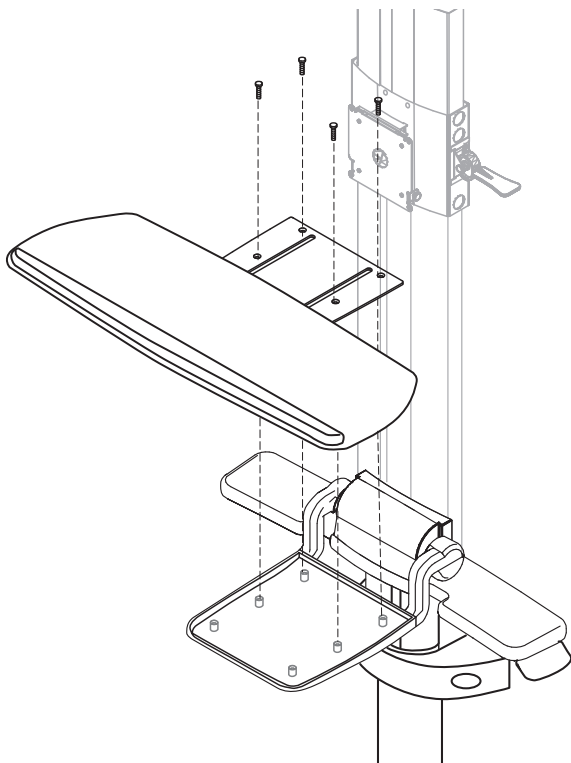
**Keyboard Platform Attachment:**

- 5** a. To attach the Keyboard Platform Assembly to the Keyboard Pivot Housing Assembly, slide out guide plate from keyboard platform.



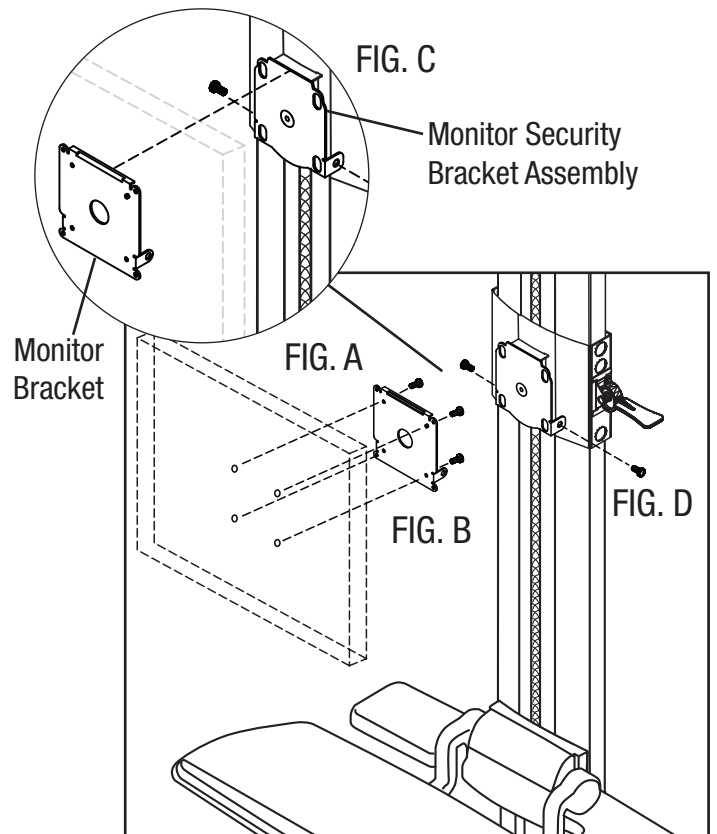
Keyboard Platform Assembly

- b. Attach Keyboard Platform Assembly to Keyboard Pivot Housing Assembly by securing with (4) #10-24 x 1/2" Long Phillips Drive Flat Head Machine Screws.



**Attach Monitor to Bracket:**

- 6** a. Align VESA mounting hole pattern on monitor with mounting pattern on Monitor Bracket (See FIG. A).
- b. Attach Monitor Bracket to Monitor. Secure with either (4) M4-0.7 x 10mm or (4) M4-0.7 x 16mm Long Phillips Drive Flat Head Machine Screws (See FIG.B).
- c. Attach monitor with Monitor Bracket to Monitor Security Bracket Assembly.
- Note: Monitor Bracket has a top slot which the Monitor Security Bracket Assembly fits into (See FIG. C).
- d. Secure brackets with two (2) #10-24 x 1/2" Long Phillips Drive Pan Head Machine Screws (See FIG D).



**Upper Cable Management:** **Lower Cable Management:**

**7 Upper Cable Management: For CPU's, monitors:**

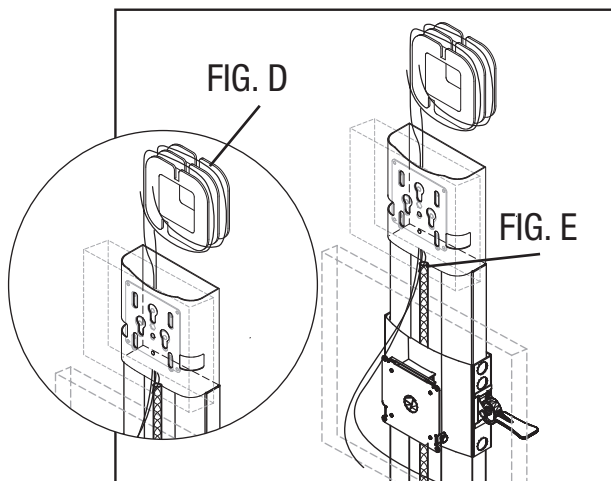
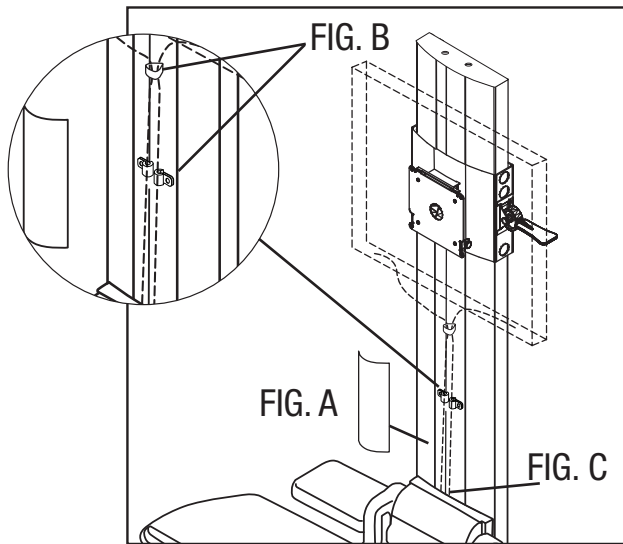
**For Monitor cables:** Remove Cable Management Cover (See FIG. A). Place in channel and zip-tie cables at the top by monitor (See FIG. B).

Cable clips are to be used for keyboard and mouse cables only (See FIG. B).

Continue to run cables behind keyboard pivot housing (See FIG. C).

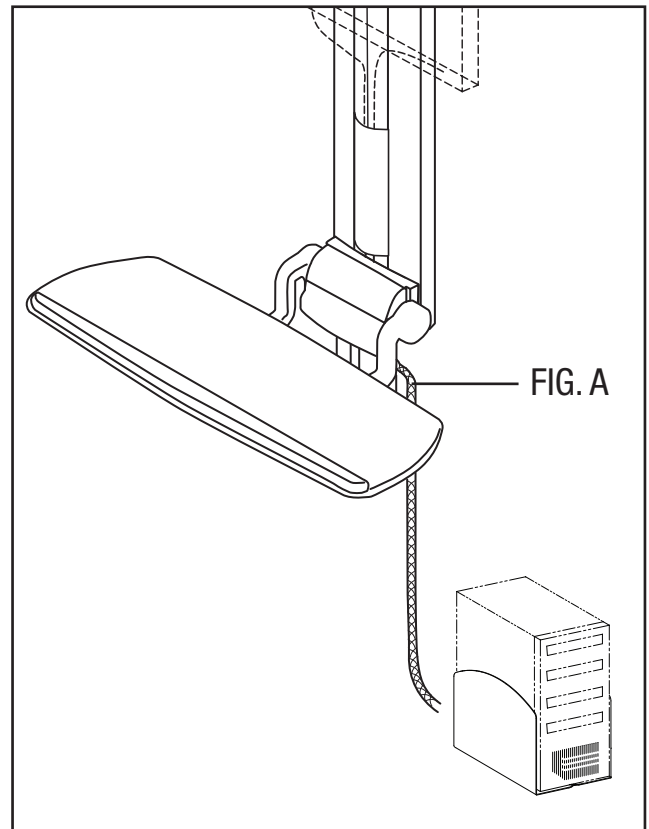
Reinstall cable management cover when finished (See FIG. A).

**For Upper CPU's:** Cables can be run around the cable management insert (See FIG. D). Additional cables running out of upper cpu holder, can be run down behind Height Adjustable Monitor Bracket (See FIG. E).



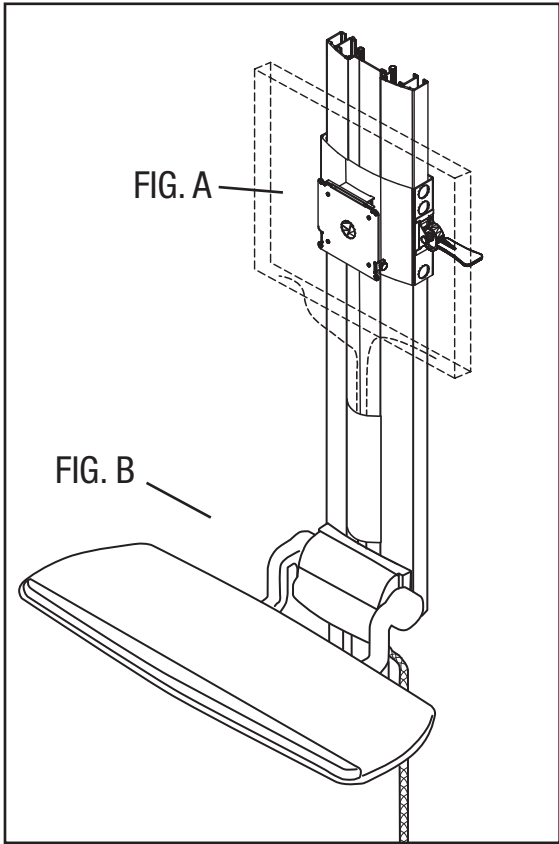
**8 Lower Cable Management: For CPU's, keyboard and mouse:**

Run the tech-flex covered cables through the back of the keyboard pivot housing and down to CPU (See FIG. A).



**Mouse House Attachment:** **Keyboard Attachment:**

- 9** There are two different suggested mounting positions for the Mouse House, they are as follows:
- a. Behind the monitor (See FIG. A).
  - b. On the wall (See FIG. B).



- 10**
- a. Attach (8) Velcro squares together. Peel off film from one side and adhere (4) Velcro Squares to the underside of keyboard.
  - b. Peel off film from the other side squares and attached to keyboard platform (See FIG. A).

