

Attention!

For **OSHPD** Regulated Installations, please go to www.midmark.com to download the appropriate OSHPD Approval and Installation documents.

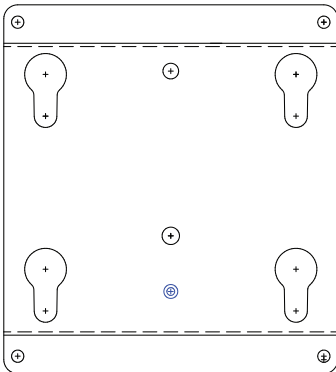
Installation Hardware

Tools required:
Electric Drill with driver extension
Phillips head screwdriver/bit
1/2" Drill Bit
Punch

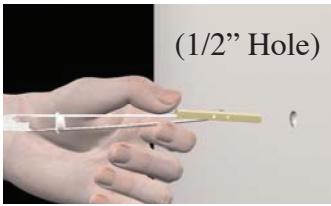

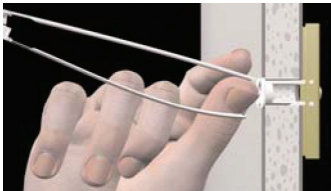
Parts Included:
(1) Wall Mounting Plate
(1) Pivot/Swivel Monitor Mounting Bracket
(6) 1/4-20 Thread Hilti Snaptoggle Heavy-Duty Toggle Bolts (2 extra)
(4) 1/4-20 x 2" Long Phillips Drive Pan Head Machine Screws
(4) M4-0.7 x 10mm Long Phillips Drive Flat Head Machine Screws
(4) M4-0.7 x 16mm Long Phillips Drive Flat Head Machine Screws

Drilling Hole Preparation: Toggler Bolt Installation Instructions:

- 1** a. Choose desired height of Wall Mounting Plate.
- Note: The Mounting Plate has keyhole slots. When the (4) Rivets on the Monitor Mounting Bracket are slid down into position, the final height position can be determined. (see step 4)
- b. Using punch to locate holes in wall.
- c. Make sure that drill bit point is centered with cross-pattern of hole location.

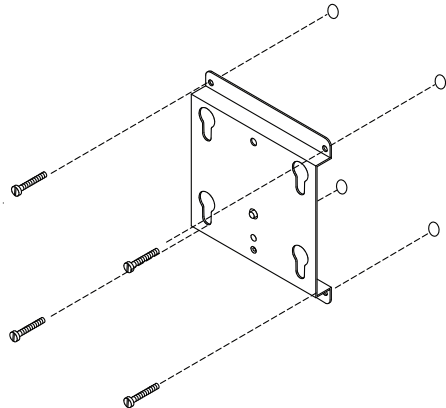


Caution
Proper installation of toggler bolts required to provide secure wall mounting. Minimum drywall thickness to be 1/2".

- 2** a.  Drill 1/2" size hole. Hold metal channel flat alongside plastic straps and slide channel through the hole. Minimum clearance behind wall: only 1 7/8"
- b.  Hold ends of straps together between thumb & forefinger and pull toward you until channel rests behind wall. Ratchet cap along straps with other hand until flange of cap is flush with wall.
- c.  Place thumb between straps at wall. Push thumb side to side, snapping off straps level with flange of cap.

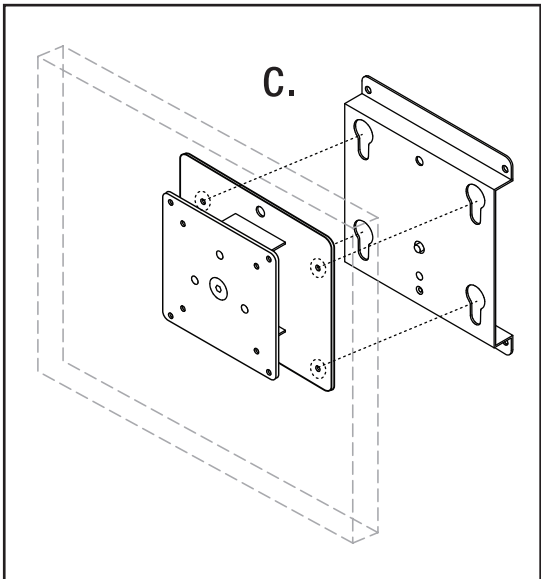
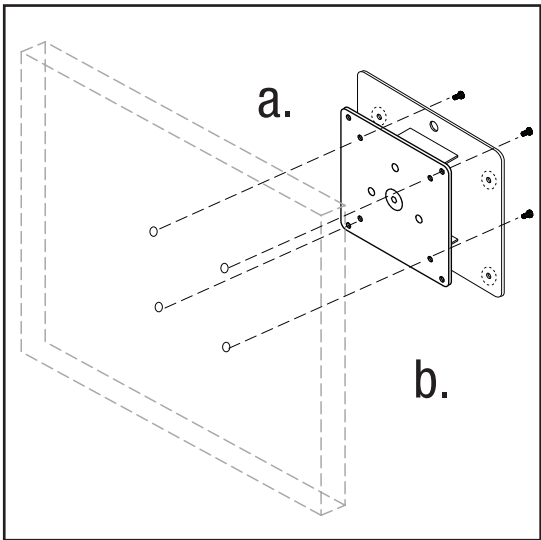
Mounting Wall Mounting Plate to Wall:

- 3** a. Secure Bracket with (4) 1/4-20 x 2" Long Phillips Drive Machine Screws.



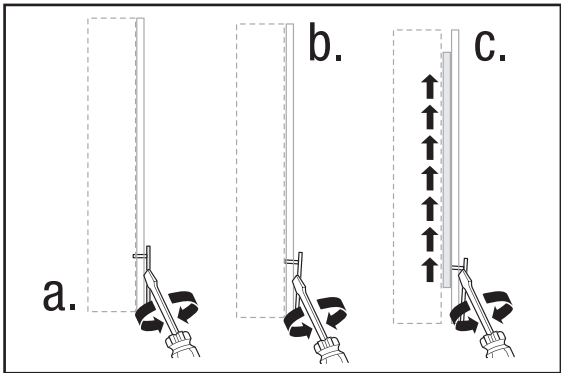
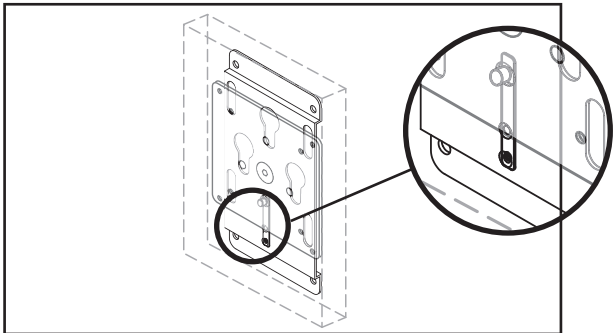
Attach Monitor to Monitor Bracket:

- 4** a. Align VESA mounting hole pattern on monitor with mounting pattern on Monitor Mounting Bracket.
- b. Attach Monitor Bracket to Monitor.
Secure with either (4) M4-0.7 x 10mm or (4) M4-0.7 x 16mm Long Phillips Drive Flat Head Machine Screws (See FIG.B).
- c. Attach Monitor Mounting Bracket into wall Mounting Plate by inserting into teardrop shaped holes and sliding down into position.



Safety Release Button:

- 5** **How to Unattach from Mounting Plate:**
 - a. Using a flat-drive screwdriver, place the screwdriver between the safety release bracket and the wall bracket (see fig. a)
 - b. Twist screwdriver head so that the release bracket bends backwards (see fig. b).
 - c. While safety release button is inactivated, slide thin-client up and out from bracket.



side view