

Attention!

For **OSHPD** Regulated Installations, please go to www.midmark.com to download the appropriate OSHPD Approval and Installation documents.

Installation Hardware

Tools required:

Electric Drill with driver extension
Phillips head screwdriver/bit
1/2" Drill Bit
Punch

Parts Included:

(1) Mounting Template
(1) Wall Mount Assembly
(6) 1/4-20 Threaded Hilti Snaptoggle Heavy-Duty Toggle Bolts (2 extra)
(4) 1/4-20 x 2" Long Phillips Drive Pan Head Machine Screws
(1) Cable Management Cover
(8) Dual Lock Velcro Squares
(1) Mouse House

Mounting Template/Drilling Hole Preparation:

- 1 Place mounting template on wall (See Fig. A).

Note: Choose desired height for keyboard bracket, ideally 41"-44" for a standing position. 29 1/2" - 32 1/2" for a sitting position.

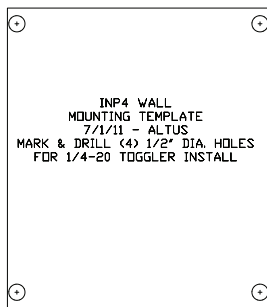
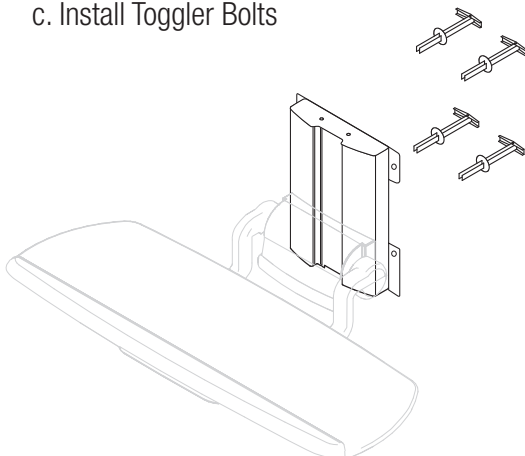


Fig. A

Toggler Bolt Installation Preparation:

- 2
 - a. Using punch to locate holes in wall.
 - b. Make sure that drill bit point is centered with cross-pattern of hole location.
 - c. Install Toggler Bolts



Toggler Bolt Installation Instructions:

3



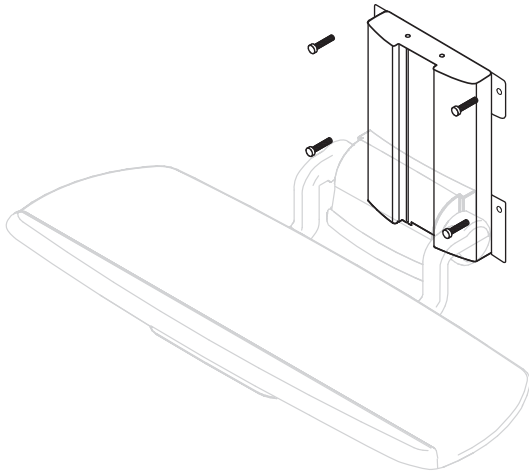
Caution

Proper installation of toggler bolts required to provide secure wall mounting. Minimum drywall thickness to be 1/2".

- a.
- b.
- c.

Mounting to Wall:

- 4** Secure with (4) 1/4-20 x 2" Long Phillips Drive Pan Head Machine Screws.



Keyboard Attachment:

- 5** a. Attach (8) Velcro squares together. Peel off film from one side and adhere (4) Velcro Squares to the underside of keyboard.
- b. Peel off film from the other side squares and attached to keyboard platform (See FIG A).

