

Attention!

For **OSHPD** Regulated Installations, please go to www.midmark.com to download the appropriate OSHPD Approval and Installation documents.

Installation Hardware

Tools required:

- Electric Drill with driver extension
- Phillips head screwdriver/bit
- 1/2" Drill Bit
- Punch

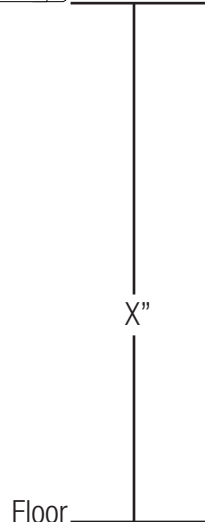
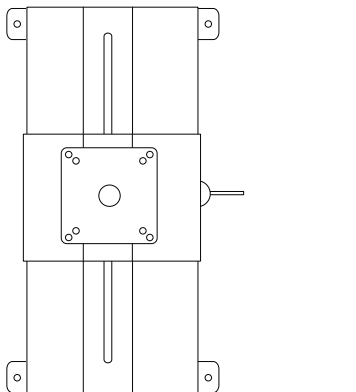
Parts Included:

- (1) Monitor Track Assembly
- (6) 1/4-20 Hilti Snaptoggle Heavy-Duty Toggle Bolts (2 extra)
- (4) 1/4-20 x 2" Long Phillips Drive Pan Head Machine Screws
- (4) M4-0.7 x 10mm Long Phillips Drive Flat Head Machine Screws
- (4) M4-0.7 x 16mm Long Phillips Drive Flat Head Machine Screws

Drilling Hole Preparation:

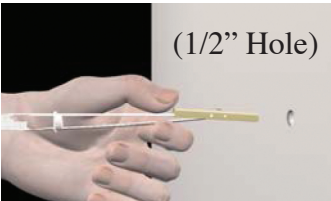

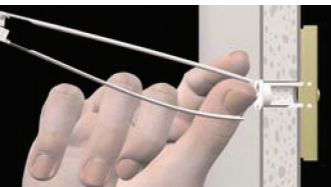
Toggle Bolt Installation:

- 1 a. Choose desired height position: sitting or standing for Monitor Track Assembly.
- b. Compare level to top of monitor track to ensure mounting template is perfectly plumb.
- c. Using punch to locate holes in wall. Install Toggler Bolts



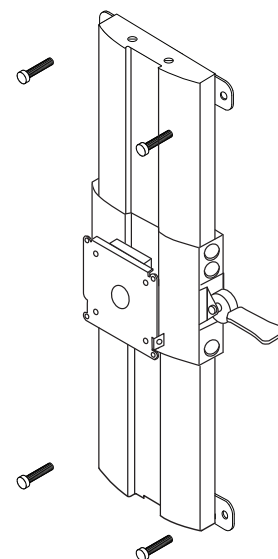
Caution

Proper installation of toggle bolts required to provide secure wall mounting. Minimum drywall thickness to be 1/2".

- 2 a. 
- b. 
- c. 

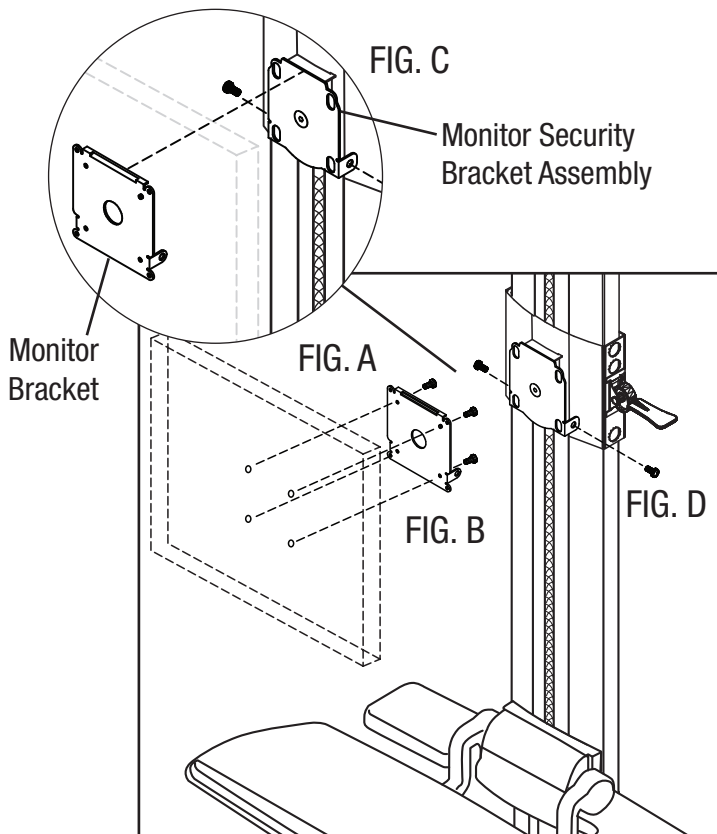
Mounting Wall-Mount to Wall:

- 3 Align the four monitor track mounting holes with holes in wall. Secure with (4) 1/4-20 x 2" Long Phillips Drive Pan Head Machine Screws.



Attach Monitor to Bracket:

- 4** a. Align VESA mounting hole pattern on monitor with mounting pattern on Monitor Bracket (See FIG. A).
 - b. Attach Monitor Bracket to Monitor. Secure with either (4) M4-0.7 x 10mm or (4) M4-0.7 x 16mm Long Phillips Drive Flat Head Machine Screws (See FIG.B).
 - c. Attach monitor with Monitor Bracket to Monitor Security Bracket Assembly.
- Note: Monitor Bracket has a top slot which the Monitor Security Bracket Assembly fits into (See FIG. C).
- d. Secure brackets with two (2) #10-24 x 1/2" Long Phillips Drive Pan Head Machine Screws (See FIG D).



Upper Cable Management:

5 Upper Cable Management: For CPU's, monitors:

For Monitor cables: Remove Cable Management Cover (See FIG. A). Place in channel and zip-tie cables at the top by monitor (See FIG. B).

Continue to run cables behind keyboard pivot housing (See FIG. C).

Reinstall cable mangement cover when finished (See FIG. A).

For Upper CPU's: Cables can be run around the cable management insert (See FIG. D). Additional cables running out of upper cpu holder, can be run down behind Height Adjustable Monitor Bracket (See FIG. E).

