

Attention!

For **OSHPD** Regulated Installations, please go to www.midmark.com to download the appropriate OSHPD Approval and Installation documents.

Installation Hardware

Tools required:

- Electric Drill with driver extension
- 1/2" Drill Bit
- Phillips head screwdriver/bit
- Punch

Parts Included:

- (1) Mounting Template

Parts Included Cont.:

- (1) Keyboard Platform Assembly
- (1) Keyboard Pivot Housing
- (1) Height Adjustable Column Assembly
- (6) Hilti Snaptoggle Heavy-Duty Toggle Bolts (2 extra)
- (4) 1/4-20 x 3" Long Phillips Drive Pan Head Machine Screws
- (4) 1/4-20 x 1 1/4" Long Phillips Drive Pan Head Machine Screws
- (4) M4-0.7 x 10mm Long Phillips Drive Flat Head Machine Screws
- (8) Dual Lock Velcro Squares
- (1) Mouse House

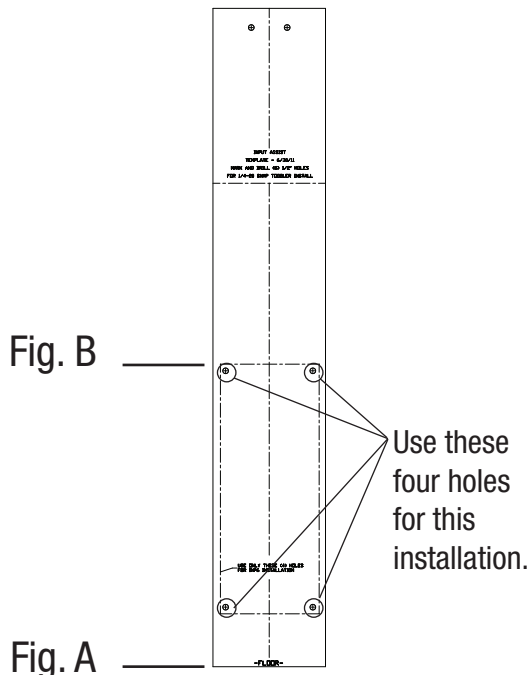
Mounting Template/Drilling Hole Preparation:

- 1 a. Place mounting template on wall (See FIG.A).
Note: Place bottom line of template on floor. This will position Input for a working range of 29" - 47" height range.

- b. Compare level to line printed on template to ensure mounting template is perfectly level (See FIG. B).

- c. Use punch to locate holes in wall as marked on template.

- d. Make sure that drill bit point is centered with cross-pattern of hole location.



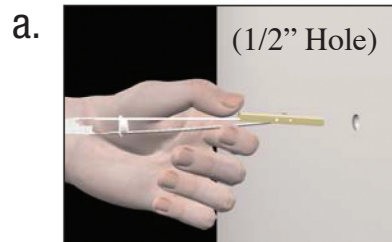
Toggle Bolt Installation Instructions:

2

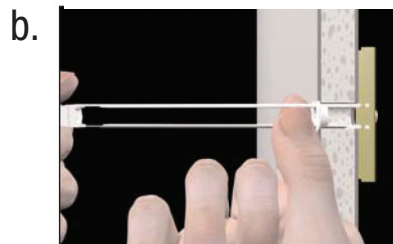


Caution

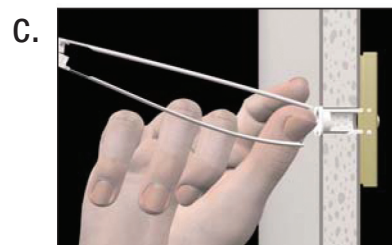
Proper installation of toggle bolts required to provide secure wall mounting. Minimum drywall thickness to be 3/8".



Drill 1/2" size hole. Hold metal channel flat alongside plastic straps and slide channel through the hole. Minimum clearance behind wall: only 1 7/8"



Hold ends of straps together between thumb & forefinger and pull toward you until channel rests behind wall. Ratchet cap along straps with other hand until flange of cap is flush with wall.

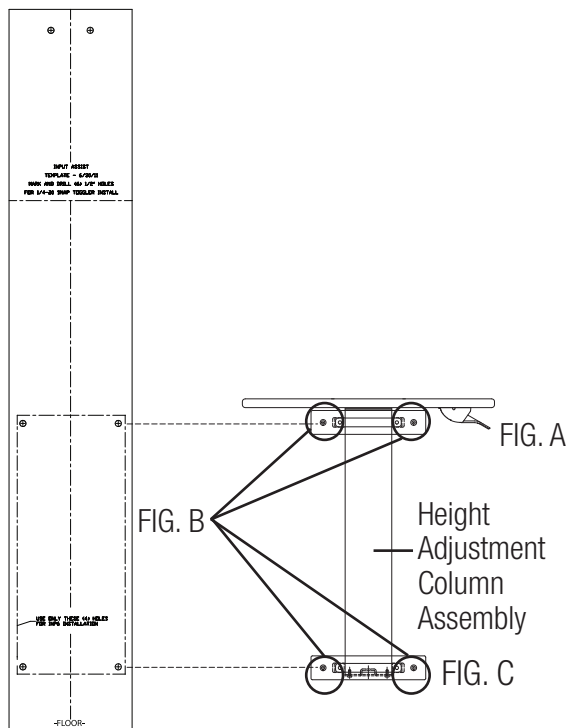


Place thumb between straps at wall. Push thumb side to side, snapping off straps level with flange of cap.

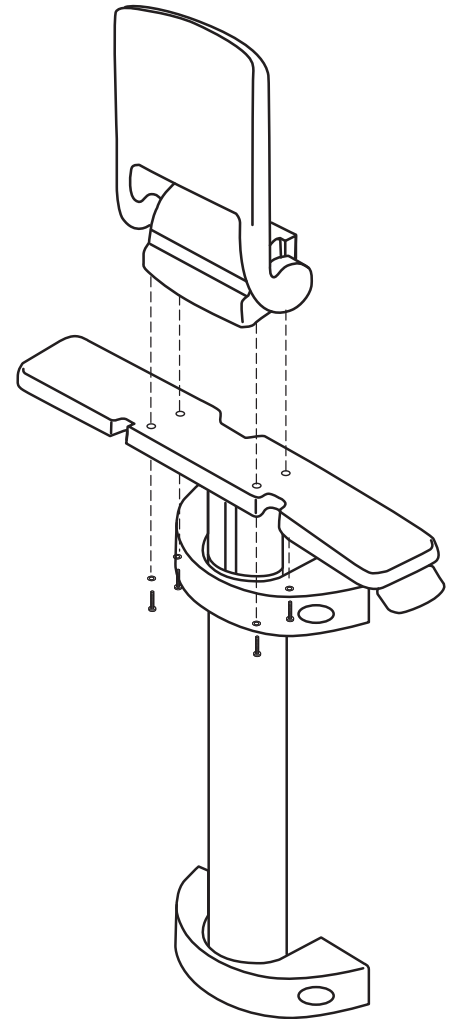
Product Assembly Instructions:

3 Prior to installing height adjustable column assembly to wall, attach column mounted accessory (if applicable)!

- a. Do Not unfasten Safety Strap from adjustment lever (See FIG. A)
- b. Align four column assembly mounting holes with holes in wall. Secure with (4) 1/4-20 x 3" previously installed toggler fasteners (See FIG. B). NOTE: SECURE BOTTOM TWO FASTENERS FIRST (See Fig. C)
- c. Unfasten Safety Strap from adjustment lever.

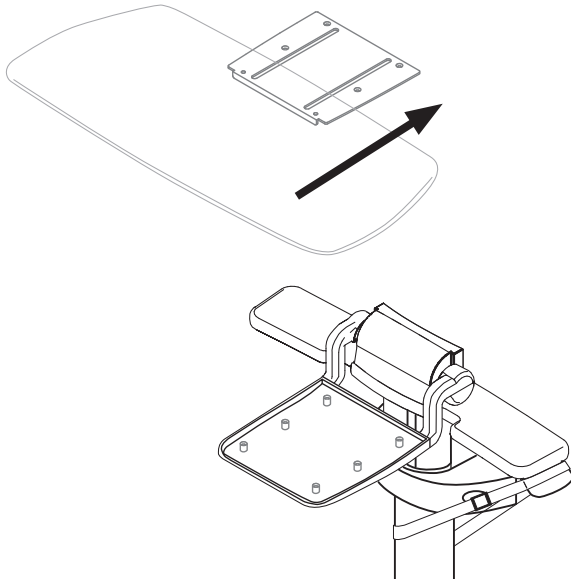


- 4** a. Attach Pivot Keyboard Assembly to Column Assembly by securing with (4) 1/4-20 x 1 1/4" Long Phillips Drive Pan Head Machine Screws and (4) 1/4" Flat Washers

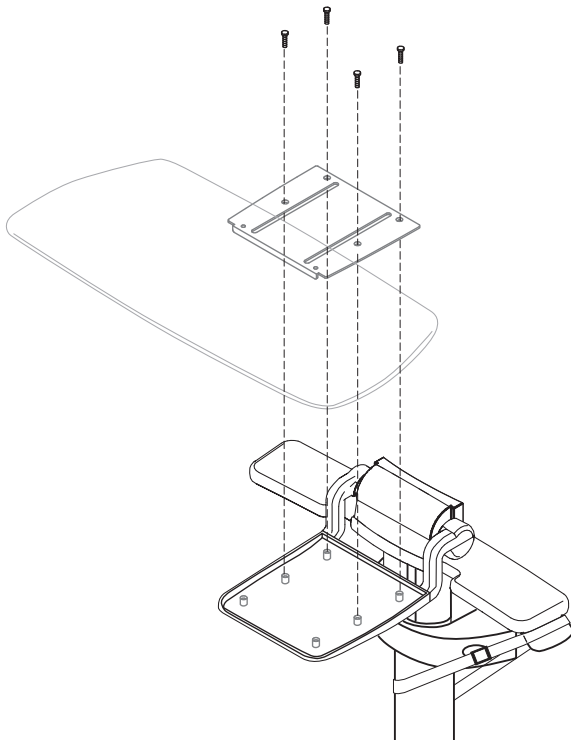


Wall Installation:

- 5** To attach the Keyboard Platform assembly to the Keyboard Pivot Housing assembly, slide out guide plate from keyboard platform.



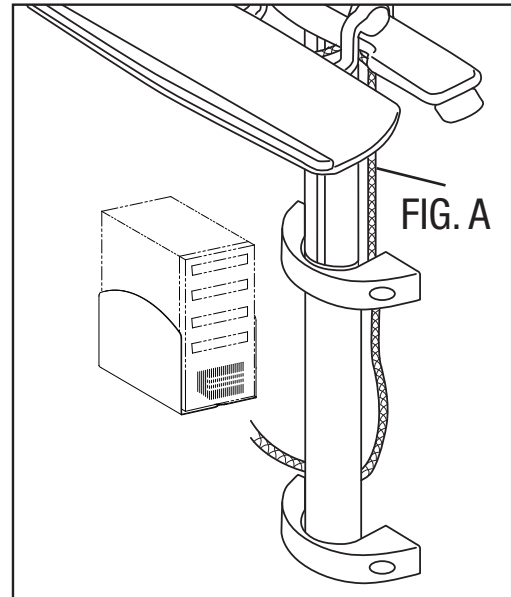
Attach Keyboard Platform assembly to Keyboard Pivot Housing assembly by securing with (4) #10-24 x 1/2" Long Phillips Drive Flat Head Machine Screws.



Lower Cable Management:

- 6** Lower Cable Management: For CPU's, keyboard and mouse:

Run the tech-flex covered cables through the back of the height adjustable column assembly (See FIG. A).



Mouse House Attachment:

- 7** There are two different suggested mounting positions for the Mouse House, they are as follows:

- a. On wall (make sure to check this when assembly is adjusted to its highest position) (See FIG.A).
- b. Underneath small worksurface (See FIG. B).

