

**Attention!**

For **OSHPD** Regulated Installations, please go to [www.midmark.com](http://www.midmark.com) to download the appropriate OSHPD Approval and Installation documents.

**Installation Hardware**

**Tools required:**

- Electric Drill with driver extension
- Phillips head screwdriver/bit
- 1/2" Drill Bit
- Punch
- 7/32 Allen Wrench

**Parts Included:**

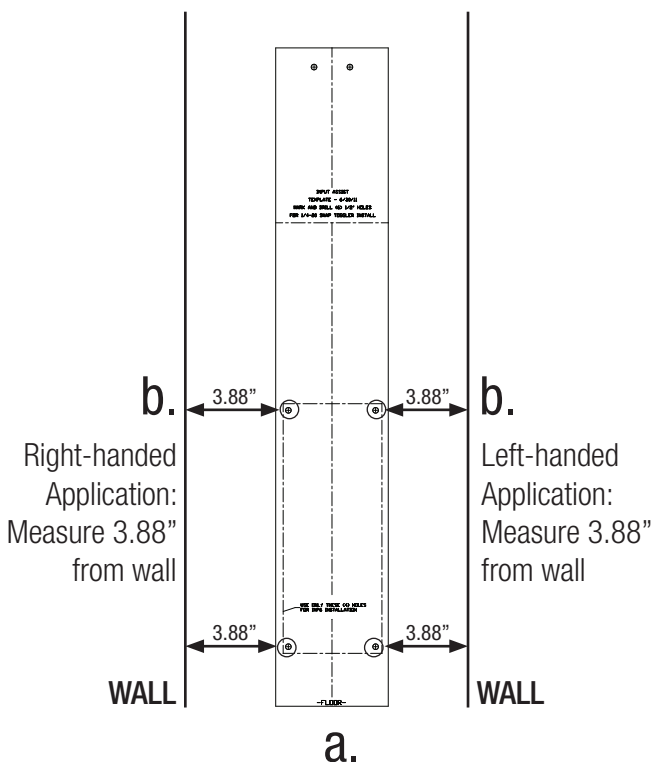
- (1) Mounting Template
- (1) Worksurface
- (1) Height Adjustable Column Assembly
- (6) Hilti Snaptoggle Heavy-Duty Toggle Bolts (2 extra)
- (6) 1/4-20 x 3" Long Phillips Drive Pan Head Machine Screws (2 extra)
- (4) 3/8-16 x 3/4" Long Button Head Socket Head Cap Screws
- (4) 3/8" Lock Washers
- (5) #8 x 1/2" Long Pan Head Phillips Drive Particle Board Screws

**Mounting Template/Drilling Hole Preparation:**

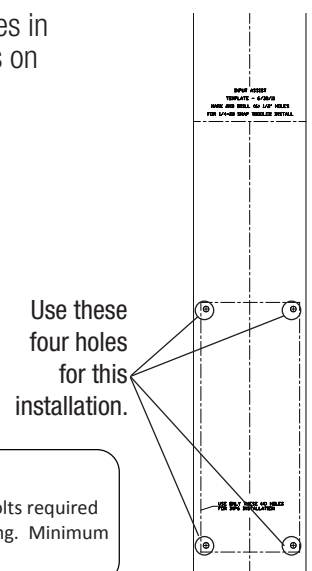
**Toggle Bolt Installation Instructions:**

- 1 a. Place mounting template on wall. The template may have to be repositioned after next step.
 

**Note: The bottom edge of template must be even with floor. This will help position for a range of 29" - 47" height range).**
- b. Depending on which wall you are placing the template, measure 3.88" from the wall to the first holes in template.
- c. Compare level to line printed on template to ensure mounting template is perfectly plumb.

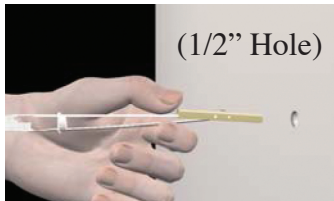
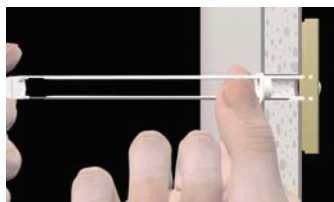
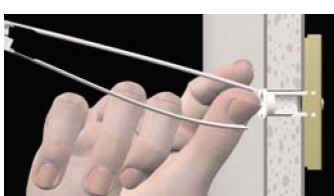


- 1A a. Use punch to locate holes in wall (the 4 bottom holes on template are used for this product).
- b. Make sure that drill bit point is centered with cross-pattern of hole location.
- c. Install Toggler Bolts



**Caution**  
Proper installation of toggler bolts required to provide secure wall mounting. Minimum drywall thickness to be 1/2".

**Toggle Bolt Installation Instructions:**

- 2 a.  (1/2" Hole) Drill 1/2" size hole. Hold metal channel flat alongside plastic straps and slide channel through the hole. Minimum clearance behind wall: only 1 7/8"
- b.  Hold ends of straps together between thumb & forefinger and pull toward you until channel rests behind wall. Ratchet cap along straps with other hand until flange of cap is flush with wall.
- c.  Place thumb between straps at wall. Push thumb side to side, snapping off straps level with flange of cap.

**Product Assembly Instructions:**

**Adjustment Lever Installation:**

**3 Prior to installing height adjustable column assembly to wall, attach column mounted accessory (if applicable)!**

a. Attach Worksurface to Column Assembly by securing with (4) 3/8-16 x 3/4" Long Button Head Socket Head Cap Screws and (4) 3/8" Lock Washers.

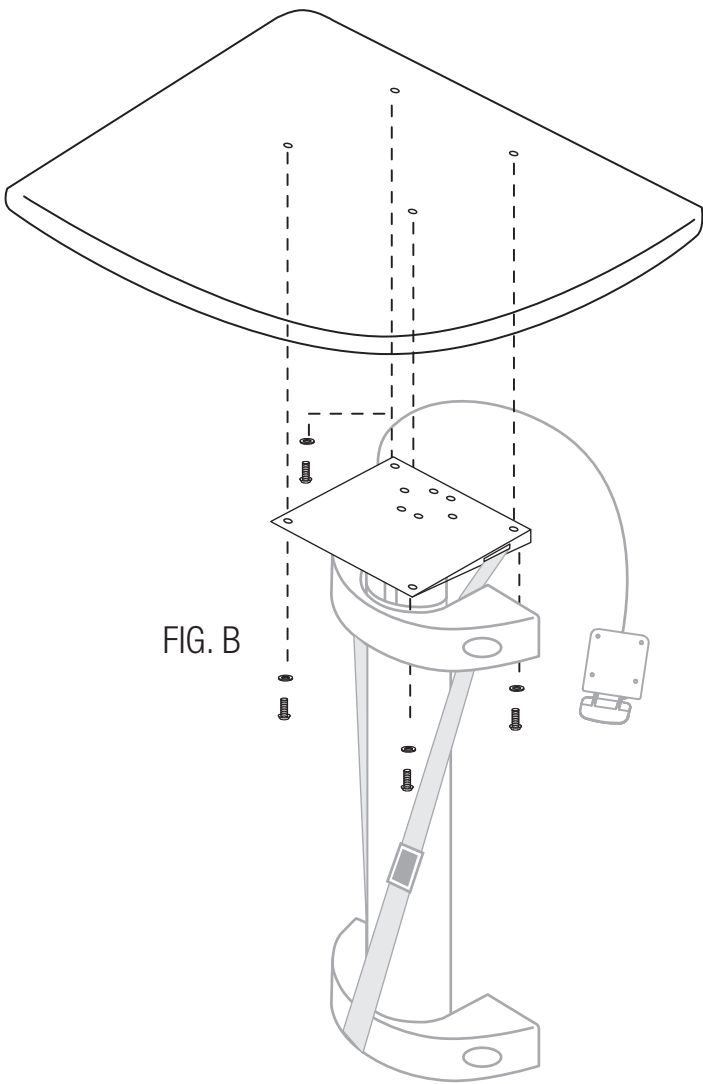
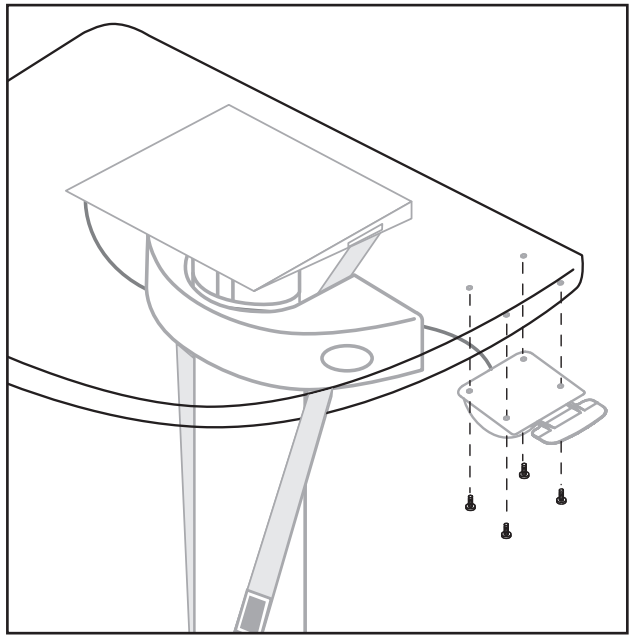
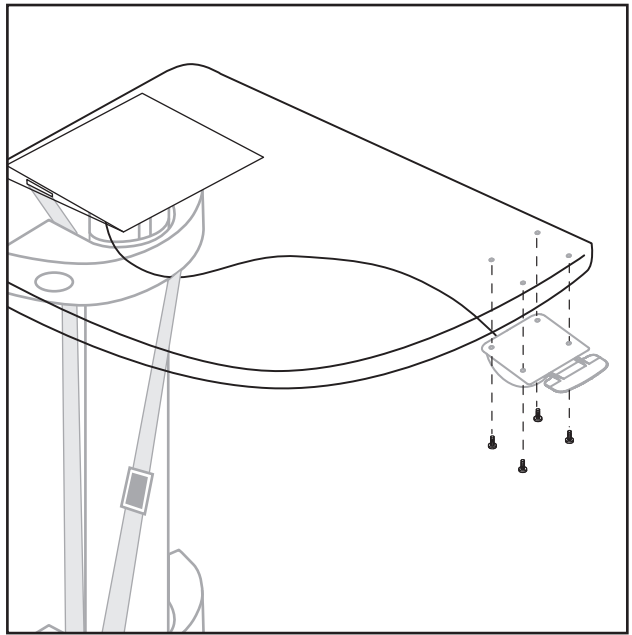


FIG. B

**4 Attach (4) #8 x 1/2" Long Pan Head Phillips Drive Particle Board Screws into the pre-drilled hole location.**



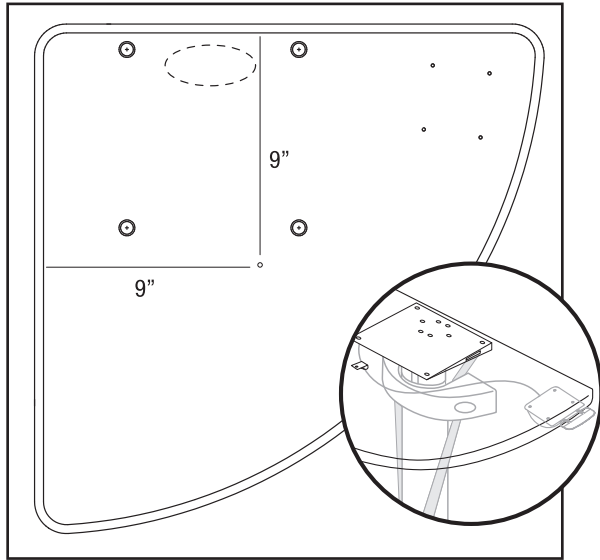
Right-Handed Orientation



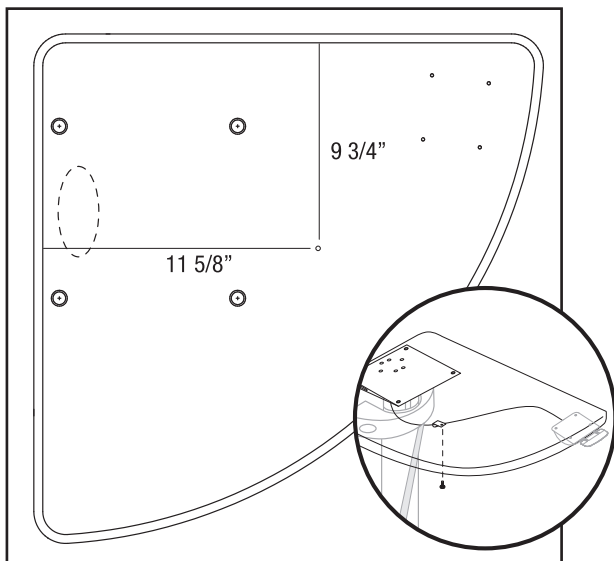
Left-Handed Orientation

**Cable Routing and Cable Clip Placement Instructions: Cable Clip Installation:**

**5** Note: There is a specific direction of routing the paddle cable. If cable is routed incorrectly, it will cause the cable to improperly bend causing the paddle to operate incorrectly. See below for proper cable routing.

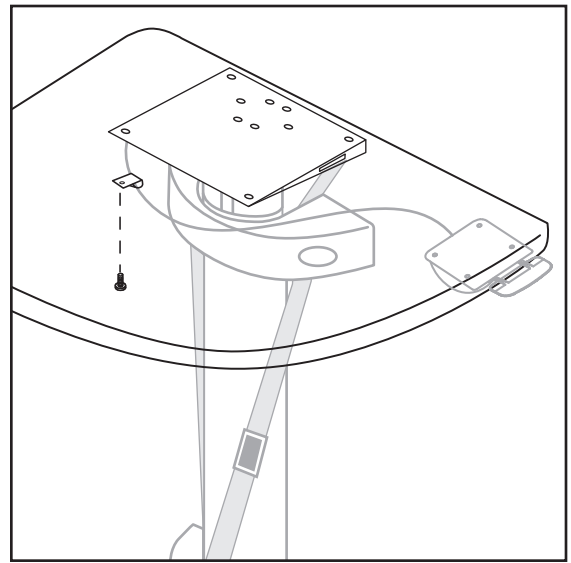


Right-Handed Orientation

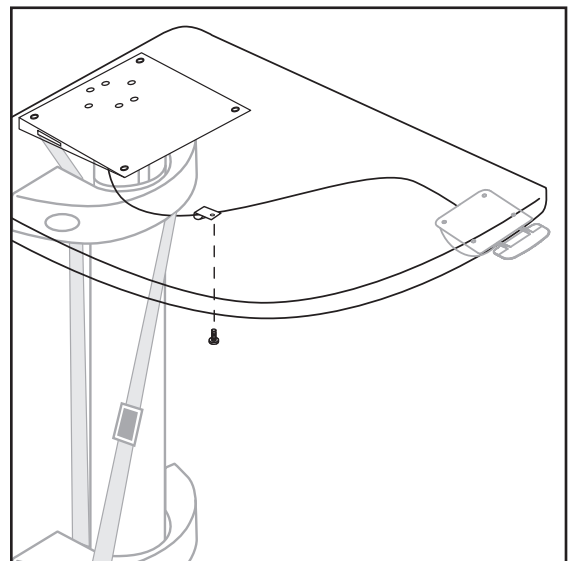


Left-Handed Orientation

**6** Attach (1) #8 x 1/2" Long Pan Head Phillips Drive Particle Board Screw to holding cable clip into pre-drilled hole in the bottom of worksurface.



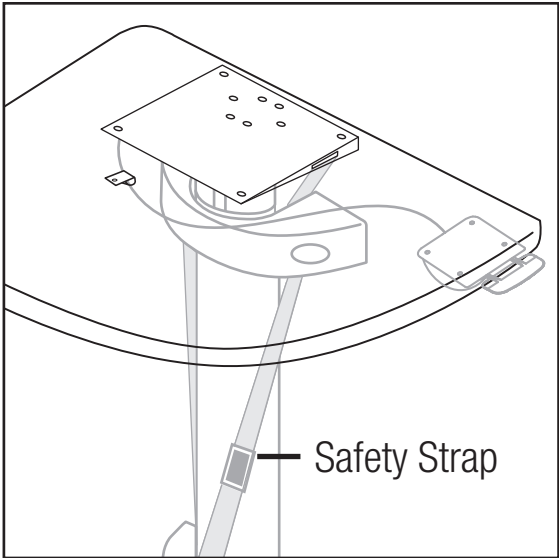
Right-Handed Orientation



Left-Handed Orientation

**Unfasten Safety Strap from Column Assembly:      Install Assembly to Wall:**

**7** Unfasten Safety Strap from Height Adjustable Column Assembly.



**8** Prior to installing height adjustable column assembly to wall, attach column mounted accessory (if applicable)!

a. Align four column assembly mounting holes with holes in wall. Secure with (4) 1/4-20 x 3" previously installed toggler fasteners (See FIG. B). NOTE: SECURE BOTTOM TWO FASTENERS FIRST (See Fig. A)

