



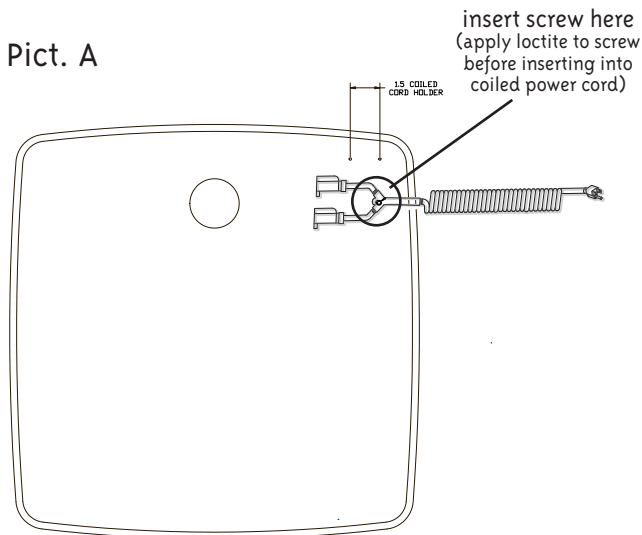
Tools required:  
Phillips Head Screwdriver  
Loctite (Brand #99394 epoxy)

Parts Included:  
(1) Cord Mounting Bracket Assembly  
(1) Coiled Powered Cord  
(1) 1/4-20 x 1" Long Pan Head Phillips Drive Machine Screw  
(2) #10 x 3/4" Long Pan Head Recex Low Root Screws

**1** Insert (2) screws into accessory mounting bracket. Fasten and tighten screws into worksurface. If using a kidney worksurface, see Pict. B for placement.

**2** Insert (1) screw through hole in coiled powered cord (see Pict. A) and secure to worksurface.

Pict. A



Pict. B

