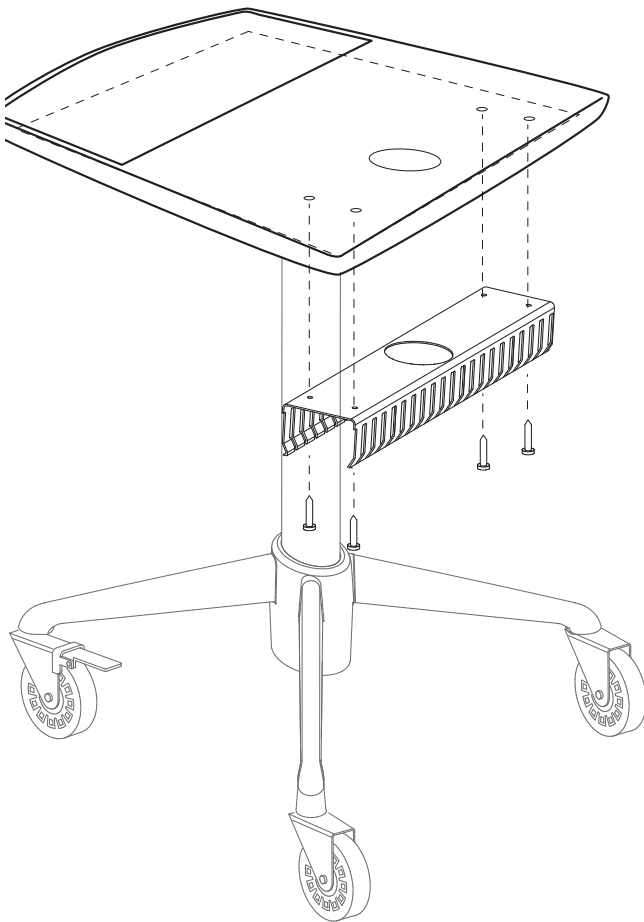




Tools required:
Phillips Head Screwdriver

Parts Included:
(1) Cable Management Holder

- 1** Remove top of Cable Management Holder. Attach Cable Management Holder to bottom of worksurface using (4) screws.



- 2** Reattach top of Cable Management Holder by snapping in place.

