

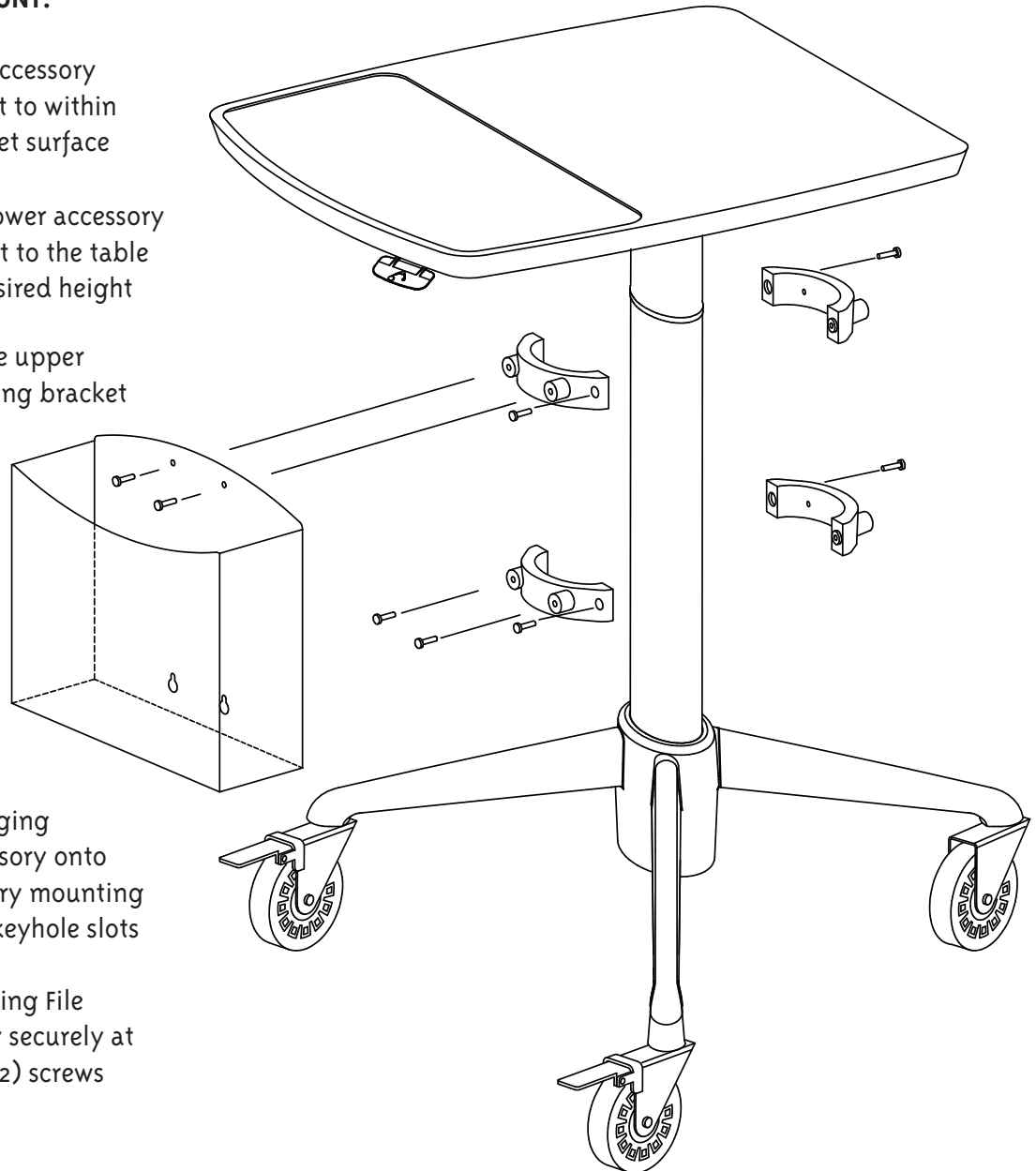
Tools required:
Phillips head screwdriver
Electric Drill with Drive Extension
1/2" Drill Bit

Parts Included:
(1) CPU Mounting Bracket

(2) Sets of Mounting Bracket Assemblies
(4) 10-24 x 7/8" Long Phillips Drive Pan Head Machine Screws
(4) 10-24 x 1" Long Phillips Drive Pan Head Machine Screws
(4) 1/4-20 Heavy Duty Snap Toggles
(4) 1/4-20 x 2" Long Phillips Drive Pan Head Machine Screws
(2) Cable Ties
(1) Safety Strap

FOR COLUMN MOUNT:

- 1** Run screws into accessory mounting bracket to within 1/16" of the bracket surface
- 2** Securely attach lower accessory mounting bracket to the table column at the desired height
- 3** Loosely attach the upper accessory mounting bracket



- 4** Slip the HFH (Hanging File Holder) accessory onto the lower accessory mounting bracket thru the keyhole slots

Attach HFH (Hanging File Holder) accessory securely at the top with the (2) screws provided

Tighten the upper accessory bracket to the table column by tightening the screw shown in #3.

Tools required:
 Phillips head screwdriver
 Electric Drill with Drive Extension
 1/2" Drill Bit

Parts Included:
 (1) CPU Mounting Bracket

(2) Sets of Mounting Bracket Assemblies
 (4) 10-24 x 7/8" Long Phillips Drive Pan Head Machine Screws
 (4) 10-24 x 1" Long Phillips Drive Pan Head Machine Screws
 (4) 1/4-20 Heavy Duty Snap Toggles
 (4) 1/4-20 x 2" Long Phillips Drive Pan Head Machine Screws
 (2) Cable Ties
 (1) Safety Strap

FOR WALL-MOUNT:

1

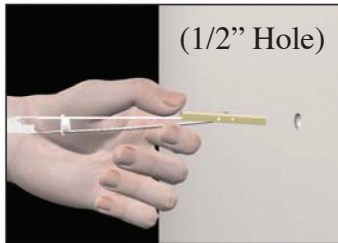


Caution

Proper installation of toggle bolts required to provide secure wall mounting. Minimum drywall thickness to be 1/2".

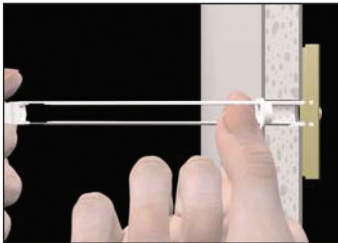
Prior to installing CPU bracket assembly to wall, follow instructions to install heavy duty snap togglers into wall.

1.



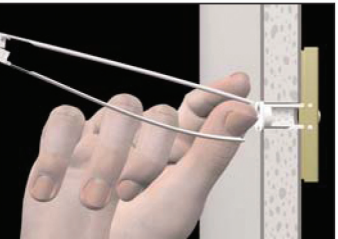
Drill 1/2" size hole. Hold metal channel flat alongside plastic straps and slide channel through the hole. Minimum clearance behind wall: only 1 7/8"

2.



Hold ends of straps together between thumb & forefinger and pull toward you until channel rests behind wall. Ratchet cap along straps with other hand until flange of cap is flush with wall.

3.



Place thumb between straps at wall. Push thumb side to side, snapping off straps level with flange of cap.

2

Once togglers are installed, attach Hanging File Holder to wall by attaching and securing with (4) 1/4-20 x 2" Long Phillips Drive Pan Head Machine Screws.

