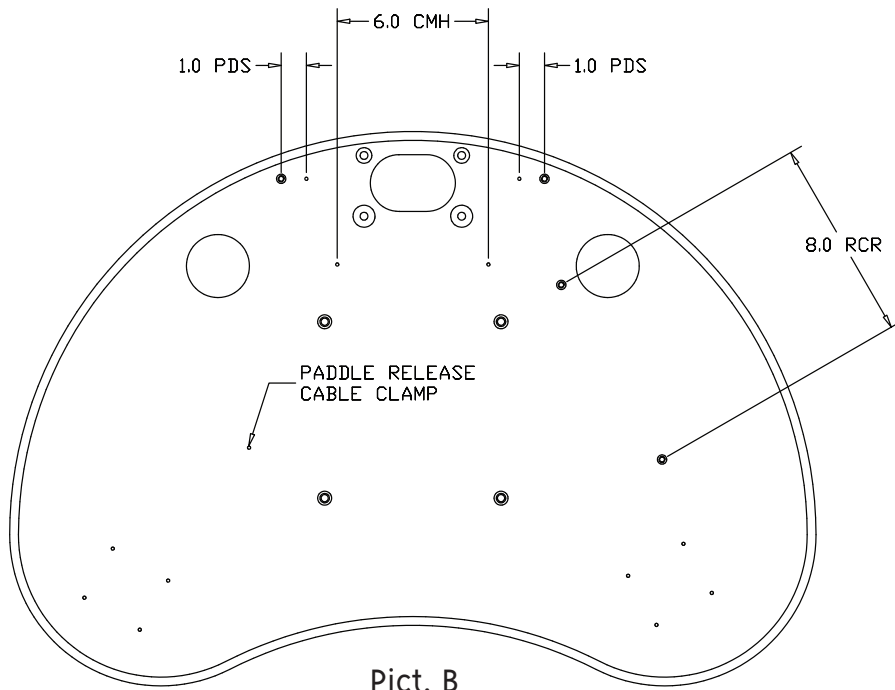
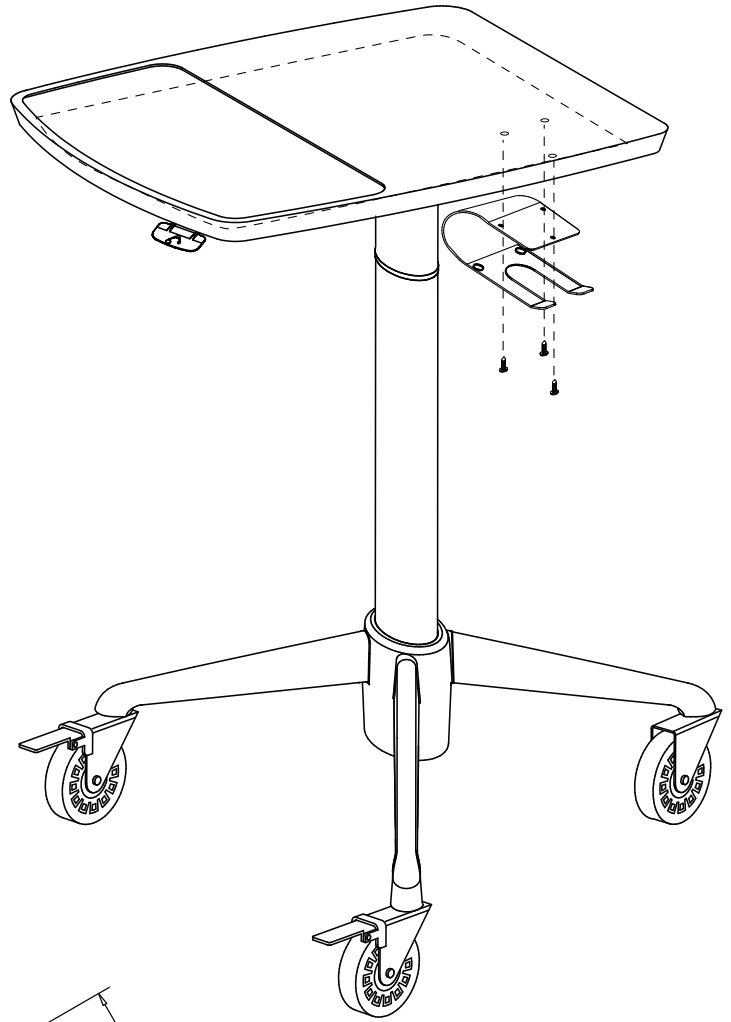
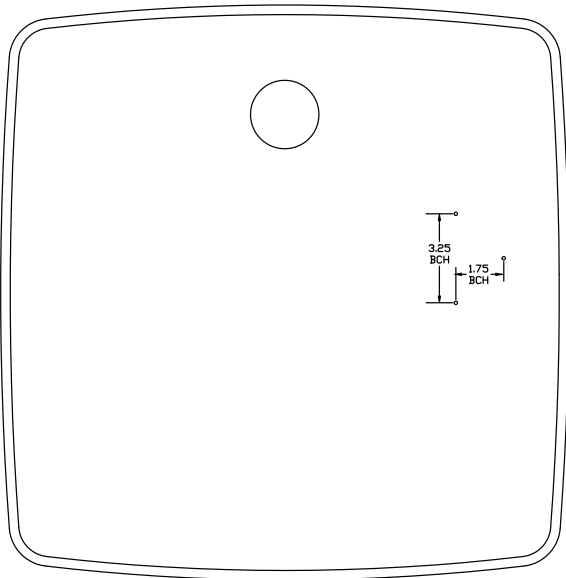


Tools required:
 #2 Phillips Drive Screw driver or #2 Square bit drive

Parts Included:
 (1) Barcode Holder
 (3) #10 x 3/4" Long Pan Head Recex Low Root Screws

I Align bracket to specified hole placements (see pict. A, for Kidney worksurfaces, see pict. B. Secure to worksurface with (3) screws

Pict. A



Pict. B