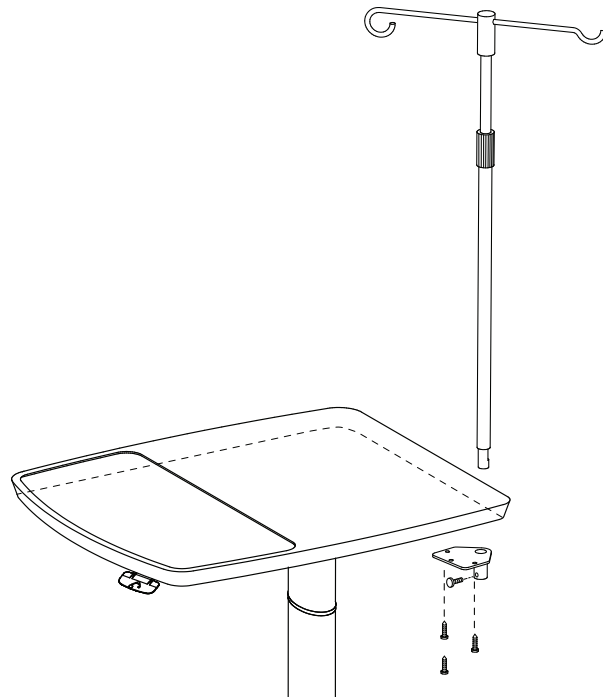


Tools required:  
 #2 Phillips Drive Screw driver or #2 Square bit drive

Parts Included:  
 (1) IVP Mounting Bracket  
 (1) IVP Pole  
 (1) 1/4-20 x 3/8" Long Pan Head Machine Screws  
 (3) #10 x 3/4" Long Pan Head Recex Low Root Screws

- 1 The bracket for the IV Pole does not come assembled. Please follow steps 2-5 to ensure proper installation.
- 2 Select location of IVP Bracket (left or right). Secure bracket to worksurface (see below diagram for placement of bracket)
- 3 Insert and tighten bottom (3) screws.
- 4 Insert IV Pole. Insert and tighten screw on back of bracket.



### Left or Right Locations

