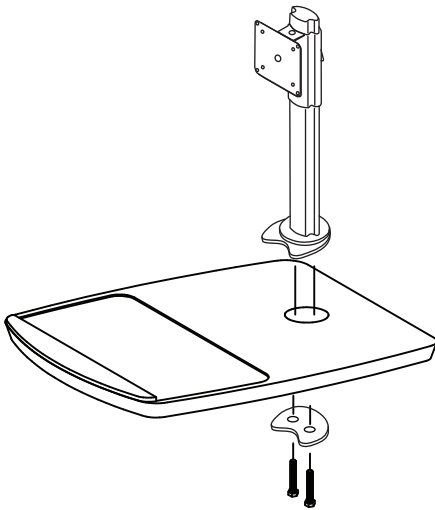


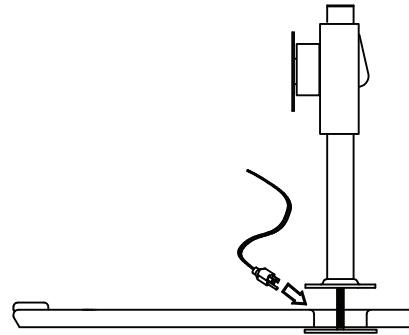
Tools required:  
3/16" Hex Wrench or Socket  
Note: Flat monitor weight not to exceed 25 lbs.

Parts Included:  
(1) Flat Screen Monitor Arm  
(2) 5/16-18 Connector Nuts

- 1** Position the parts as shown and start the bolt through top onto the FSA-2 Assembly.



- 2** If cords are to be passed through, lift the FSA-2 assembly and insert as shown.



- 3** Once cords are passed through, center the FSA-2 assembly in the hole and tighten to the top using a 3/16" Hex Wrench or Socket.

