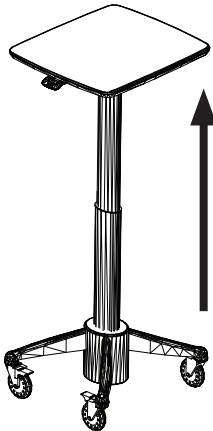


Tools required:
 Phillips head screwdriver or #2 Square drive bit

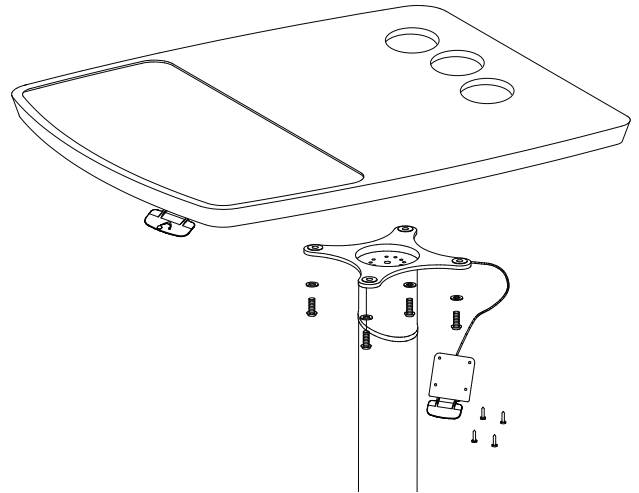
Parts Included:
 (8) #10-24 x 7/8" Long Pan Head Phillips Drive Machine Screws
 (2) #10-24 x 1" Long Pan Head Phillips Drive Machine Screws

(2) #10-24 x 1/2" Long Pan Head Phillips Drive Machine Screws
 (1) Large Storage Basket
 (2) Accessory Mounting Brackets
 (2) Accessory Support bracket
 (2) Black Nylon Strap with Buckle

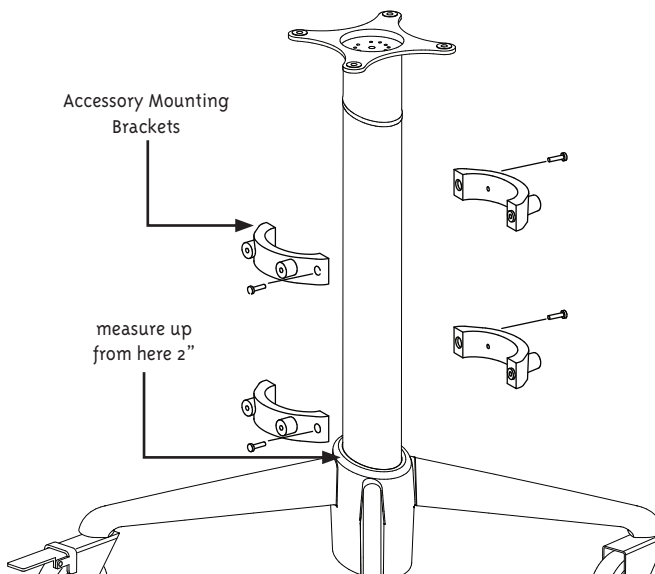
1 Extend cart to the highest position



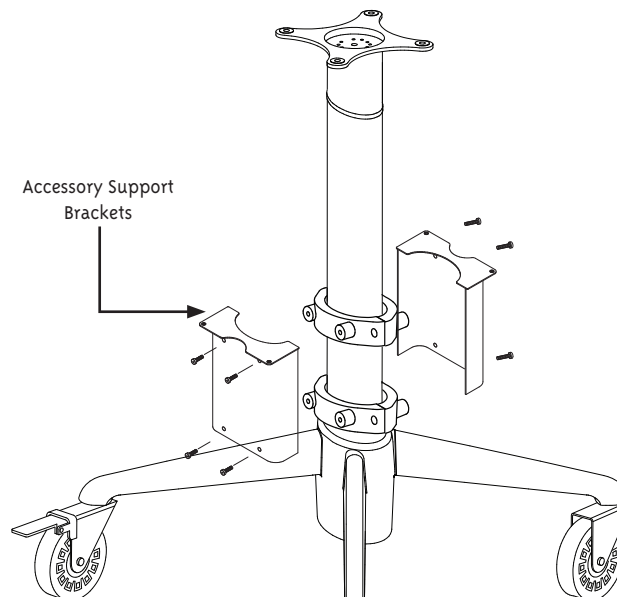
2 Remove worksurface and paddle from top plate.



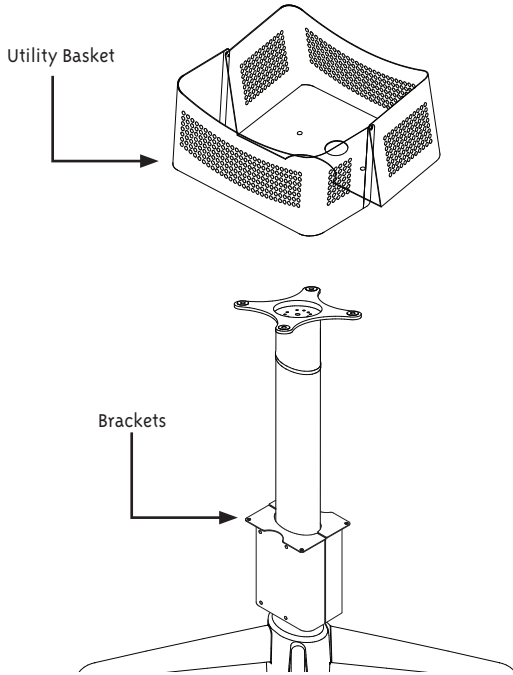
3 Measuring up 2" from the top of the hub, attach accessory mounting bracket to column using 2 screws (1 from the back, from the front). Attach second accessory mounting bracket approximately 6 1/2" from first bracket. Note: Leave second bracket loose.



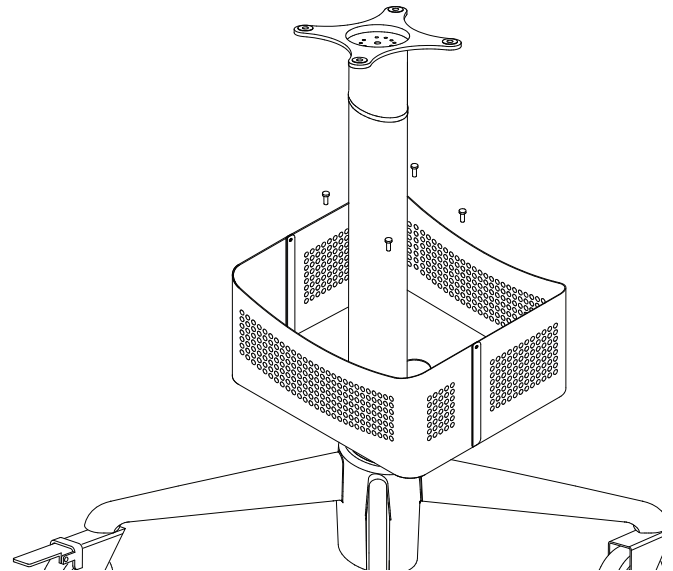
4 Align holes of the Accessory Support Brackets with the holes of the Accessory Mounting Brackets. Fasten and tighten (8) #10-24 x 7/8" Long Pan Head Phillips Drive Machine Screws.



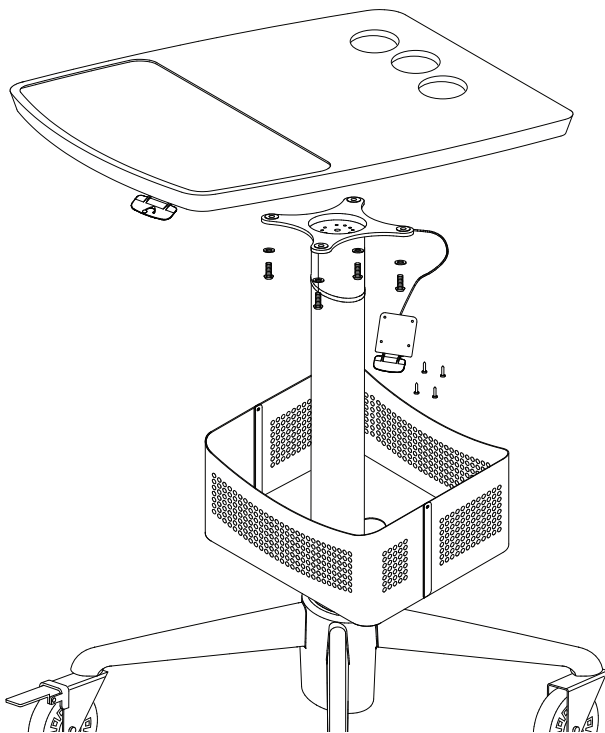
5 Open Utility Basket from the bottom. Carefully place utility basket over top plate and down column until it rests on brackets.



6 Attach Utility Basket to mounting brackets (one to the front, and one to the back) using (4) #10-24 x 1/2" Long Phillips Drive Pan Head Machine Screws.



7 Reattach worksurface and paddle assembly.



8 Use adjustable straps to secure to basket. See slots on basket for available securing positions.

