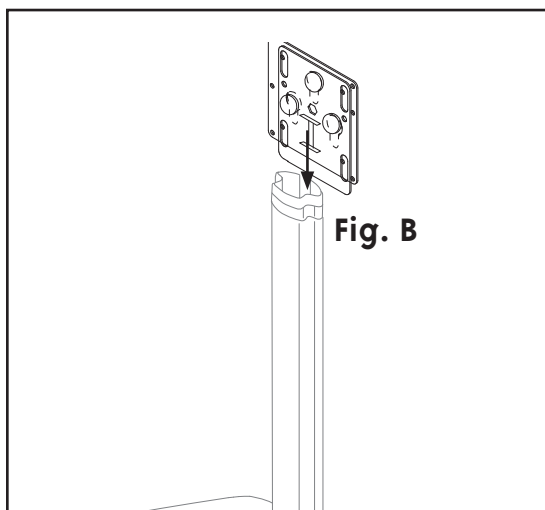
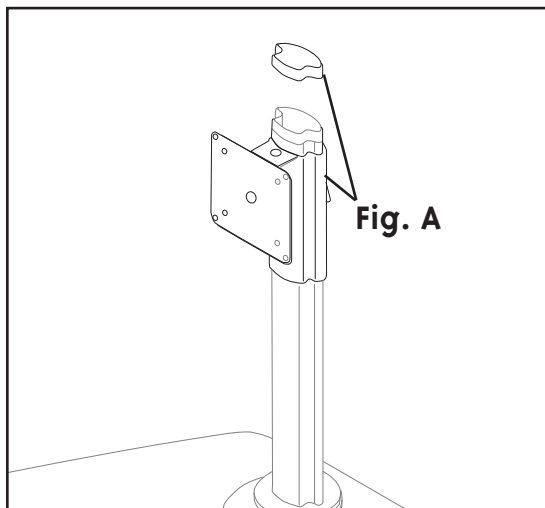


Tools required:
Phillips head screwdriver
3/32 Allen Wrench

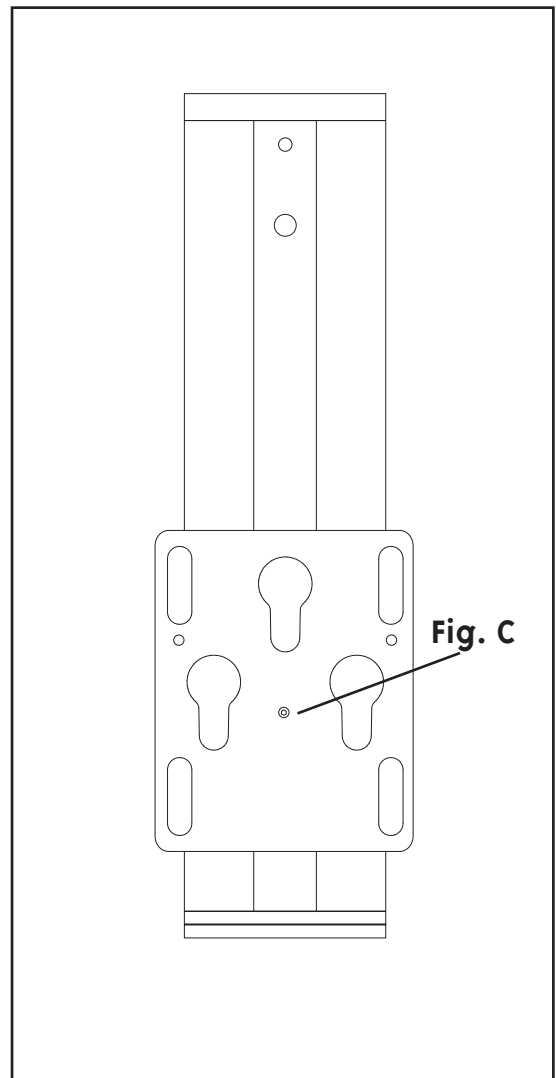
Parts Included:
(1) Vesa Mounting Bracket
(1) Mounting Plate
(2) #8-32 x 3/8" Long Phillips Drive Pan Head Machine Screws

1 To install mounting plate onto the Flat Screen Monitor Arm, remove screw from behind top cap. Remove cap and slide off collar (see Fig. A.)

Slide mounting plate onto arm channel. Slide collar back on and refasten cap with screw (see Fig B).



2 If the Mounting Plate (Fig. E) needs to be adjusted up or down, use a 3/32 allen wrench to loosen set screw. Find position and tighten with allen wrench.





Tools required:
Phillips head screwdriver
3/32 Allen Wrench

Parts Included:
(1) Vesa Mounting Bracket
(1) Mounting Plate
(2) #8-32 x 3/8" Long Phillips Drive Pan Head Machine Screws

- 3** Attach Vesa Bracket (Fig. C) securely to Technology Component. Using four screws (not included).

To ensure brackets are secure, tighten included (2) two screws to fasten plate to vesa mounting bracket (Fig. D)

