

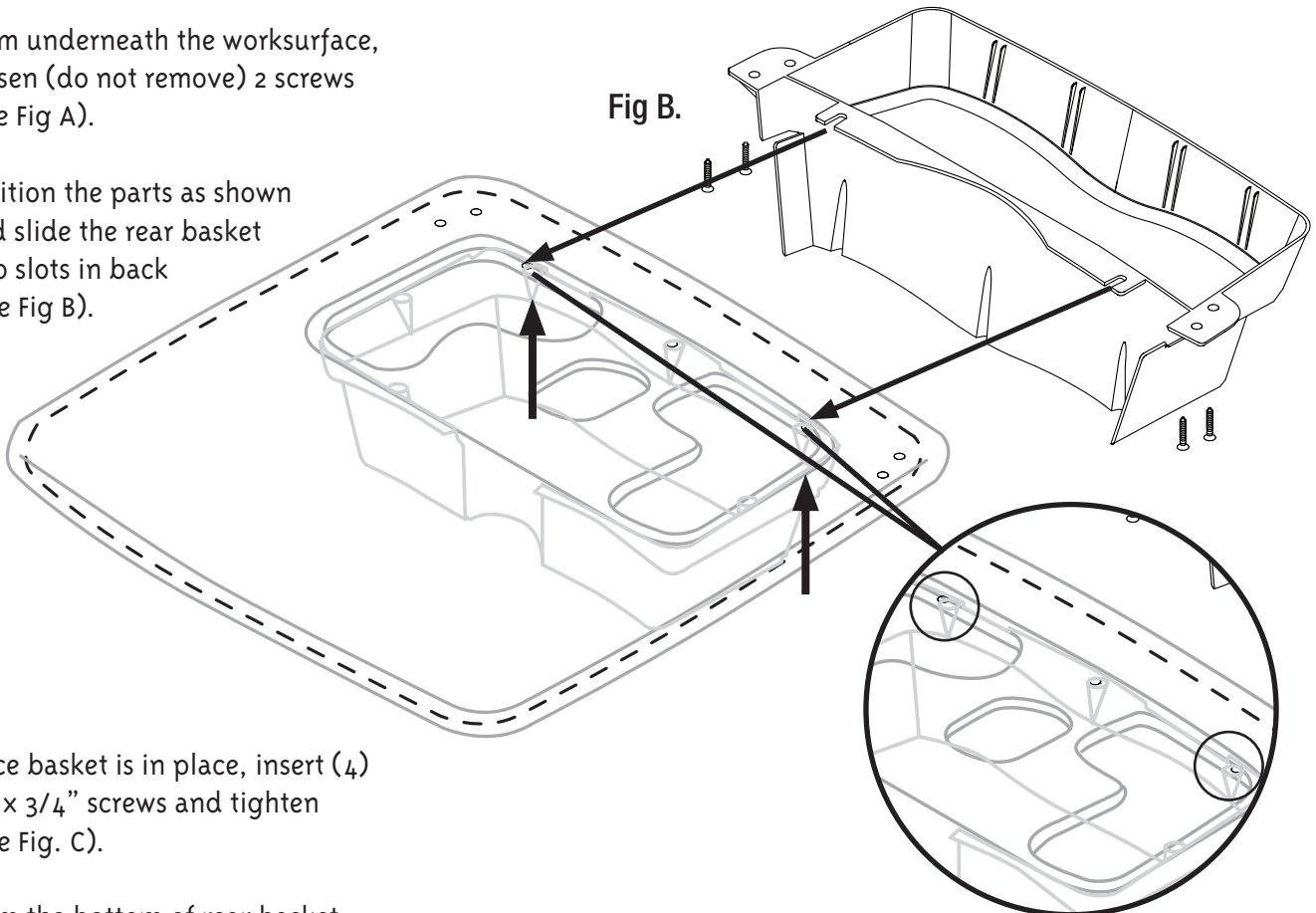


Tools required:  
#2 Phillips Drive Screw driver or #2 Square bit drive

Parts Included:  
(1) Rear Basket  
(4) #10 x 3/4" Long Pan Head Phillips Drive Recex Screws

- 1** From underneath the worksurface, loosen (do not remove) 2 screws (see Fig A).

Position the parts as shown and slide the rear basket into slots in back (See Fig B).



- 2** Once basket is in place, insert (4) #10 x 3/4" screws and tighten (See Fig. C).

From the bottom of rear basket, take a long shafted phillips screw driver and tighten last (2) screws which are already fastened in the worksurface (previously loosened in Step 1).

