

Tools required:
Phillips head screwdriver
Electric Drill with Drive Extension
1/2" Drill Bit

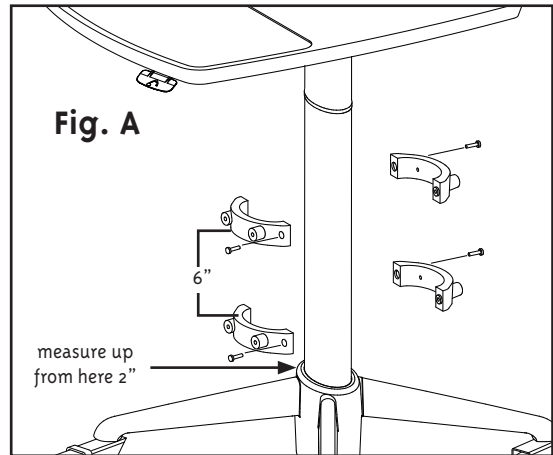
Parts Included:
(4) #10-24 x 1" Long Pan Head Phillips Drive Machine Screws
(4) #10-24 x 7/8" Long Pan Head Phillips Drive Machine Screws

(4) Accessory Mounting Brackets
(4) 1/4-20 Heavy Duty Snap Toggles
(4) 1/4-20 x 2" Long Phillips Drive Pan Head Machine Screws
(1) Combination Mounting Plate
(4) 4 Pairs of Velcro Squares
(2) Security Straps
(2) Cable Ties
(1) Tech-Flex Cable management

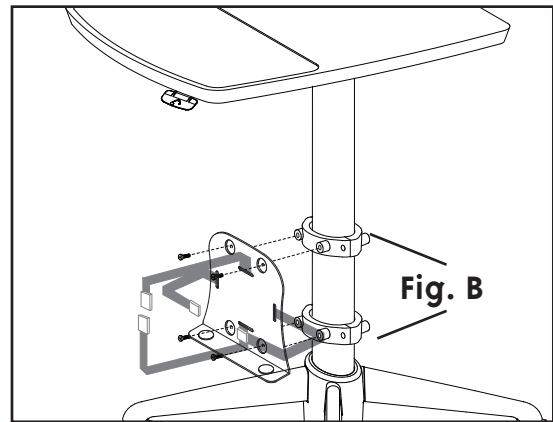
COLUMN MOUNT:

- 1 Measuring up 2" from the top of the hub, attach first accessory mounting bracket to column using (2) 10-24 x 1" screws (one from the back, one from the front) - See Fig A.

Attach second accessory mounting bracket 6" from the first bracket and attach to column (same as above) See Fig A.



- 2 Attach Combination Mounting Plate (Fig. B) securely to accessory mounting bracket with (4) 10-24 x 7/8" screws.

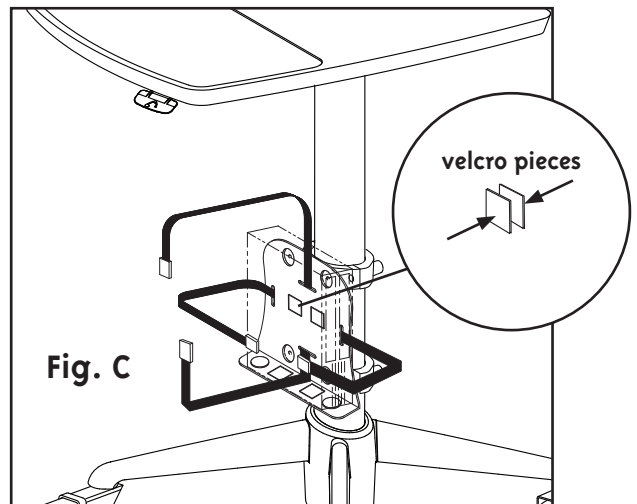


- 3 Attach Velcro squares to technology component. To do so, first attach two pieces of velcro together. Peel adhesive backer off and adhere velcro pieces to component. Next, adhere to Combination Mounting Plate (See Fig. C)

Once component with velcro pieces are on bracket, push to adhere velcro.

Secure with (2) straps (See Fig. C).

- 4 For cable management:
Run cables through the tech-flex and secure with supplied cable ties.




Tools required:
Phillips head screwdriver
Electric Drill with Drive Extension
1/2" Drill Bit

Parts Included:
(4) #10-24 x 1" Long Pan Head Phillips Drive Machine Screws
(4) #10-24 x 7/8" Long Pan Head Phillips Drive Machine Screws

(4) Accessory Mounting Brackets
(4) 1/4-20 Heavy Duty Snap Toggles
(4) 1/4-20 x 2" Long Phillips Drive Pan Head Machine Screws
(1) Combination Mounting Plate
(4) 4 Pairs of Velcro Squares
(2) Security Straps
(2) Cable Ties
(1) Tech-Flex Cable management

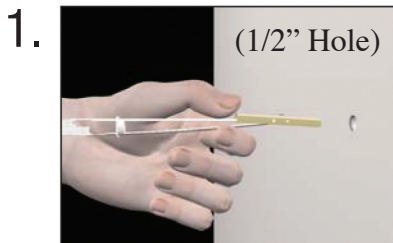
FOR WALL-MOUNT:

1

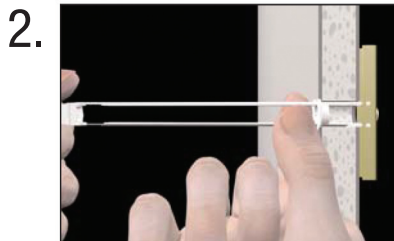


Caution
Proper installation of toggle bolts required to provide secure wall mounting. Minimum drywall thickness to be 1/2".

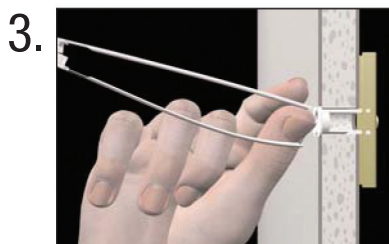
Prior to installing CPU bracket assembly to wall, follow instructions to install heavy duty snap togglers into wall.



Drill 1/2" size hole. Hold metal channel flat alongside plastic straps and slide channel through the hole. Minimum clearance behind wall: only 1 7/8"



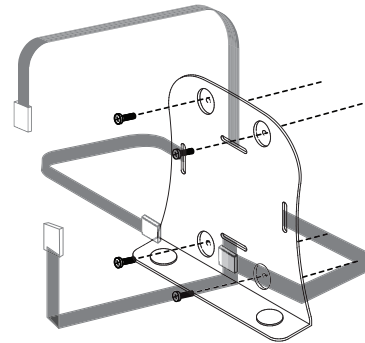
Hold ends of straps together between thumb & forefinger and pull toward you until channel rests behind wall. Ratchet cap along straps with other hand until flange of cap is flush with wall.



Place thumb between straps at wall. Push thumb side to side, snapping off straps level with flange of cap.

2

Once togglers are installed, attach CPU Mounting Bracket with (4) 1/4-20 x 2" Long Phillips Drive Pan Head Machine Screws



Attach component to CPU mounting Bracket by securing with Security Straps.

