

Tools required:
#2 Phillips Drive Screw Driver
Flat Head Screw Driver

Parts Included:
(1) Top Mount CPU Holder
(1) Power Curl Cable Manager

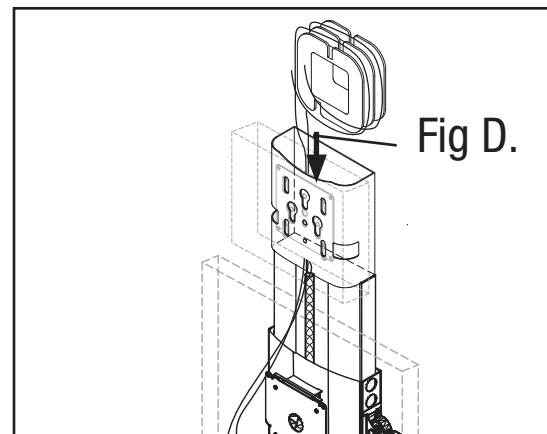
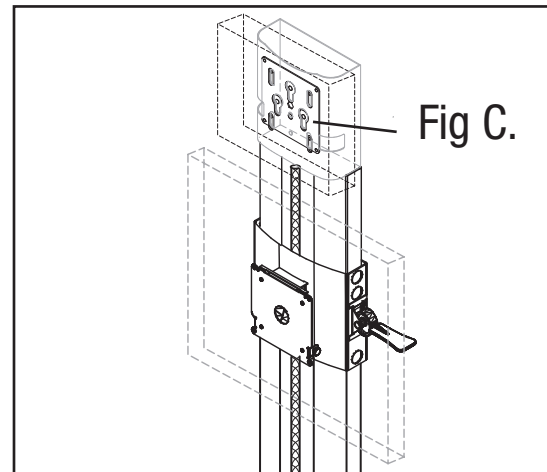
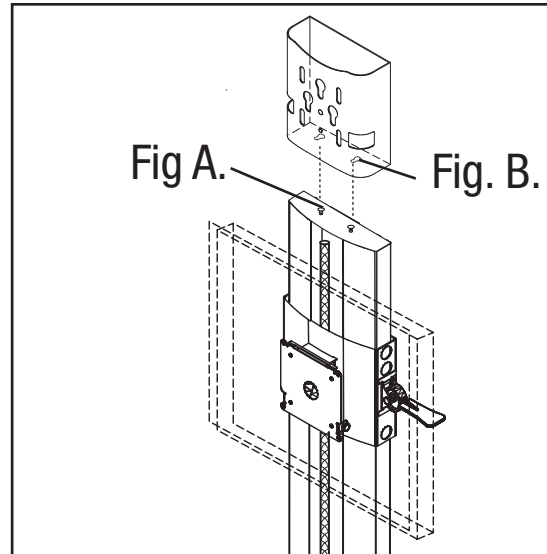
1 With a phillips head screwdriver, loosen the top bracket screws by approximately a 1/4" (See Fig. A).

2 Install Top Mount CPU-9 into wall extrusion and into keyhole slots and slide sideways into place (See Fig. B).

Tighten two screws.

3 Attach thin-client to vesa pattern plate. Install thin-client plate assembly within the (3) keyhole slots. When installed properly the safety release button will snap into place (See Fig. C).

4 **Cable Management:**
Take extra length of cables and wrap them around cable management power curl. Slide power curl into Cable basket (See Fig. D)



Tools required:
#2 Phillips Drive Screw driver
Flat Head Screw Driver

Parts Included:
(1) Top Mount CPU Holder
(1) Power Curl Cable Manager

5 Vesa Plate Removal:

To remove the technology component and vesa plate from the CPU holder, see following steps:

Behind the vesa plate there is a anti-dislodgement clip. With a flat head screw driver place behind clip and twist screw driver head to unlock the cpu holder from vesa plate. While holding screw driver in place, pull vesa plate up and out of cpu holder (See Fig. E).

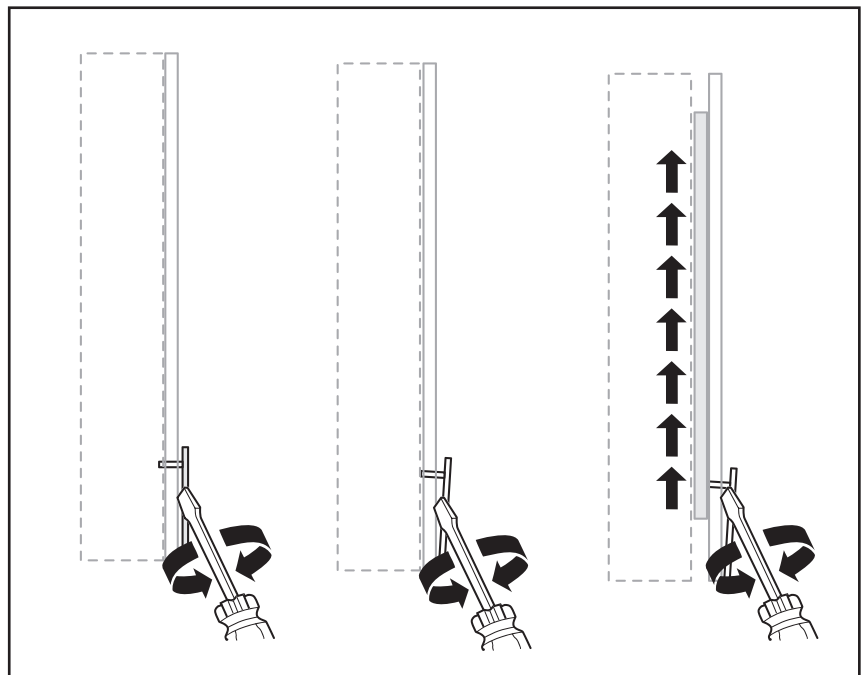
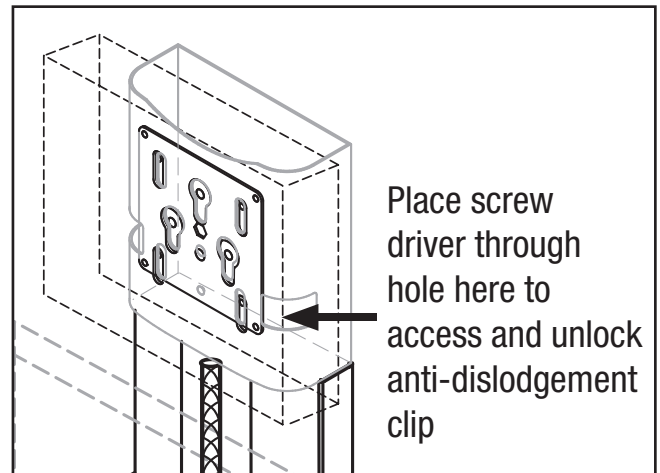


Fig. E.