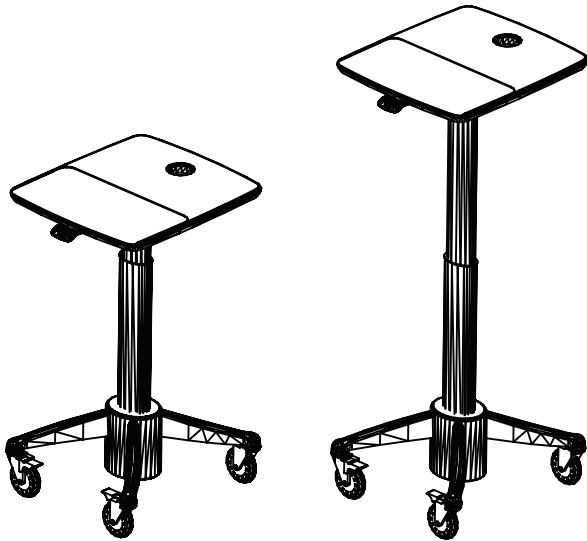
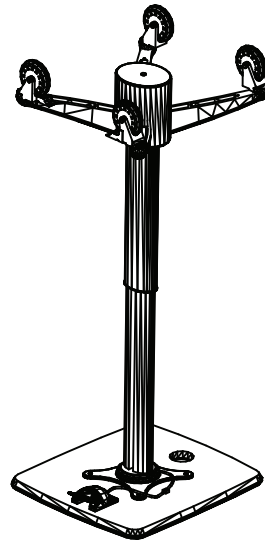


## Warning: Please Use Extreme Caution!

**1** Extend cart to the highest position

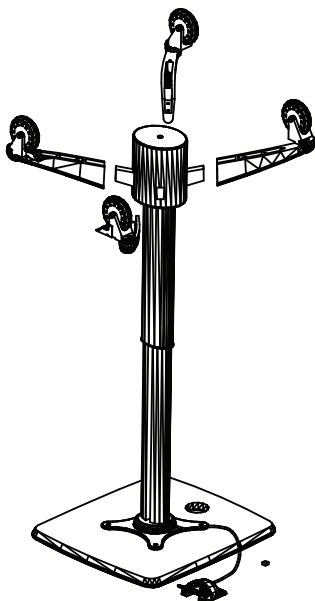


**2** Place cart, upside down, on a soft surface such as cardboard, rug, etc.



**3** Disassemble cartridge from worktop (save screws and bolts)

- Remove (2) bolts per leg, legs using a 3/16" hex wrench
- Remove (4) screws holding paddle and (1) screw holding cable clip using a small phillips drive screwdriver.
- Remove (4) screws holding cartridge assembly using a large phillips screwdriver



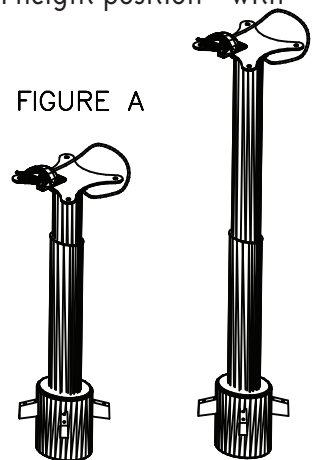
**4** **EXTREME CAUTION!! - BEFORE INSTALLING THE NEW CARTRIDGE, IT NEEDS TO BE EXPANDED TO THE FULL HEIGHT POSITION.**

**NOTE: THE CARTRIDGE WILL EXPAND VERY RAPIDLY AND COULD CAUSE INJURY WHEN THE PADDLE RELEASE IS ACTIVATED.**

**DO NOT CUT THE PLASTIC SAFETY BANNING UNTIL YOU ARE PREPARED FOR STEP #5.**

**5** Expand cartridge to the full height position - with the cartridge positioned as shown in **Figure A**, carefully place the paddle release on top of the top plate. Use your other hand to apply downward pressure to the top plate. As you release the paddle the cartridge will want to expand upwards with much vertical force. Carefully guide the cartridge height upward while depressing the paddle.

FIGURE A



**6** New cartridge assembly - Follow step #3 in reverse order to complete assembly.

---

# Warning: Please Use Extreme Caution!

---

**WARNING:** THE CARTRIDGE ASSEMBLY IS **SPRING LOADED** AND WILL EXPAND OR LENGTHEN VERY RAPIDLY IF THE RELEASE PADDLE IS ACTIVATED. USE **EXTREME CAUTION** DURING THE ASSEMBLY PROCESS TO **PREVENT INJURY**.

**WARNING:** TO AVOID INJURY, KEEP YOUR HEAD AND OTHER BODY PARTS AWAY FROM THE BOTTOM OF THE INVERTED CARTRIDGE ASSEMBLY. IF THE RELEASE PADDLE IS ACTIVATED, THE CARTRIDGE ASSEMBLY EXPANDS OR LENGTHENS VERY RAPIDLY.

**WARNING:** THE **PLASTIC SAFETY BANDING** ON THE CARTRIDGE IS FOR **SAFETY PURPOSES**. FOLLOW INSTRUCTIONS AND **DO NOT REMOVE BANDING** UNTIL THE PROPER INSTALLATION STEP.

**WARNING:: DO NOT ATTEMPT TO DISASSEMBLE OR SERVICE THE CARTRIDGE ASSEMBLY. CONTENTS ARE SPRING LOADED AND ASSEMBLED UNDER PRESSURE. FAILURE TO COMPLY WITH THIS WARNING COULD RESULT IN SEVERE INJURY. Unauthorized disassembly of the Cartridge voids warranty.**