



Dual Monitor Arm

Healthcare is changing. Are you changing with it?

The optional MIDMARK® Dual Monitor Arm is a perfect VESA mount accessory that is installed directly to the workstation.

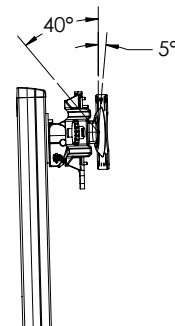
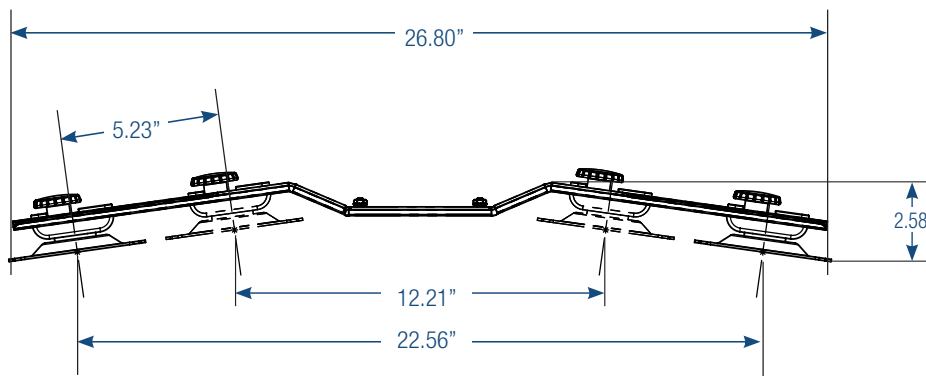
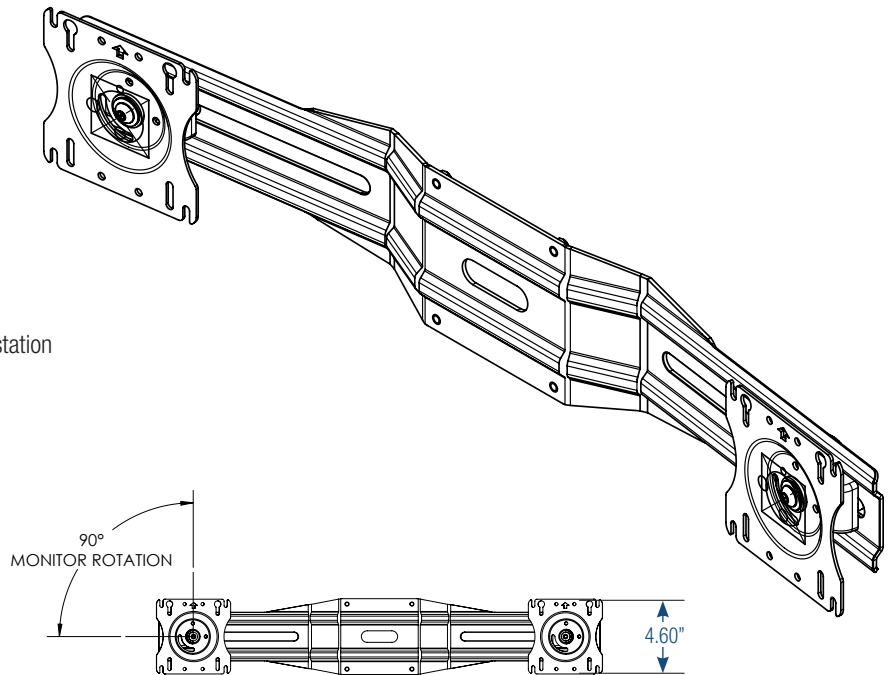
FEATURES & BENEFITS:

1. Intelligently Designed

- Adjustable brackets that support most 24" monitors
- Independent screen adjustments including tilt setting as well as portrait to landscape positioning
- Monitors are angled for ergonomic viewing

2. Installs in minutes

- Ships assembled, minimal aftersale installation
- Easily installed directly to the Wall Mounted Workstation



Model	Description	Product Weight	Product Dimensions
9A593001	Dual Monitor Arm	4 lbs.	26.80" x 2.58" x 4.6"