



# Track-Mount Bar Code Holder

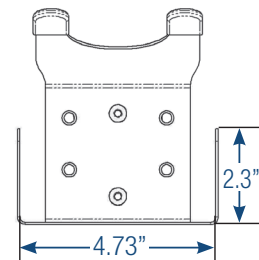
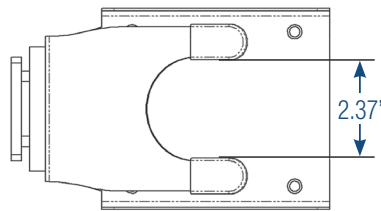
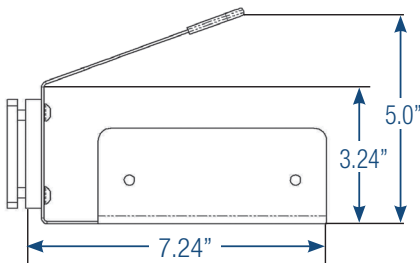
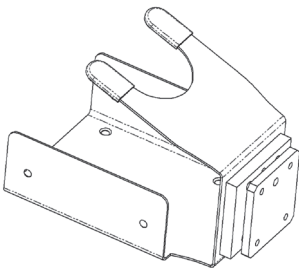
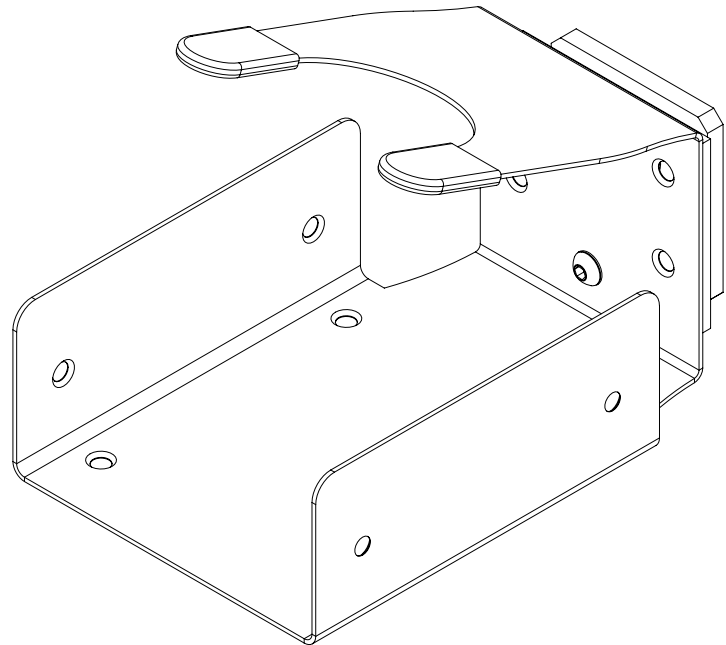
## Healthcare is changing. Are you changing with it?

The optional MIDMARK® Track-Mount Bar Code Holder is a perfect track mount accessory that is installed directly to the workstation.

### FEATURES & BENEFITS:

- 1. Intelligently Designed**
  - Compatible with 6281-Laptop Wall Mounted Workstation
  - Compatible with 6282-Standard Duty Mounted Workstation
  - Compatible with 6283-Heavy Duty Mounted Workstation
  - Angled fork design prevents slippage
- 2. Installs in minutes**
  - Easy, effortless one step installation
  - Complete mounting hardware included
- 3. Built for Life**
  - Anodized aluminium construction for durability
  - Scanner with point of care access prevents workflow interruption

\*Note: Track cover will need to be cut if accessory is installed on track



Model	Description	Product Weight	Product Dimensions
9A591001	Track-Mount Bar Code Holder	1 lbs.	5" x 9" x 4.73 "