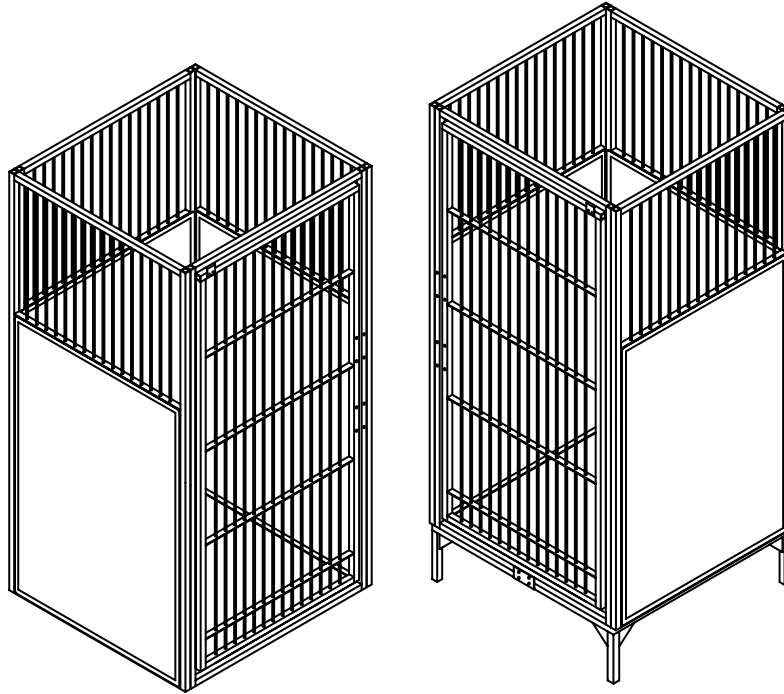




Midmark Kennel Run Setup Manual



<i>Table of Contents</i>	
Pre-Installation.....	2
Hardware Identification.....	2-3
Troubleshooting.....	3
General Installation	4-10
Free Standing including Raised Floors & Drain Systems	
Installation Amendment “A”.....	11
Side (Isolation) Panel to Existing Wall	
Installation Amendment “B”.....	12-13
Existing Wall Mount	
Care & Cleaning	14
Product Warranty.....	15

Pre-Installation Check

- Open all packaging carefully and inspect for damage. Identify and report shipping damage as soon as possible. To protect against scratches and damage during assembly, **DO NOT REMOVE** protective film until assembly is finished.
- Confirm quantity and type of side panels, gate assemblies, and back panels required for your specific installation.
- Verify that the runs will fit the installation area by double checking the area's dimensions. The outside depth can be 58" or 72" long. The height is 72" without the floor frame and 81" with the floor frame. Available run width openings are:
 - A. 35" outside-to-outside on frame.
 - B. 47 3/8" outside-to-outside on frame with standard door and front panel.

Tools/Parts Required

- #3 Phillips drive head screwdriver (for 1/4-20 screws)
- 7/16" open end wrench, nut driver or drive socket (for 1/4-20 nuts)
- 5/16" socket (self drill/tap screws)
- Electric drill/screw driver
- Square (to square run after assembly before final tightening)
- Level (to confirm slope of run assembly before final tightening)
- Silicone anti-fungus sealant (to seal the side panels and/or front-back panels to the floor)
Several silicone brands are available at your local hardware supplier.

Hardware

Hardware is based on your specific installation and could include the following:
See figure 1A for picture identification.

- Bracket "A"
- Bracket "B"
- Bracket "C"
- Bracket "D" (only used in middle of front panel)
- Bracket "E" (for raised floors and drain systems)
- Bracket "F" (for raised floors and drain systems)
- Bracket "G" (only used on front panel)
- 1/4-20 Locking Nut
- 1/4-20 Acorn Nut
- 1/4-20 x 1 1/2" Screw
- 1/4-20 x 1 3/4" Screw
- #10 Self Drilling & Tapping Screws
- 1/4 Split Lock Washer
- Floor Frame Leveling Mounts
- LDPE Spacer
- 3/8" Diameter Plug

Depending on your specific installation, the quantity of these parts may vary.

Due to local building codes or local construction practices, anchoring hardware used to secure kennels to existing walls shall be supplied by the customer. Midmark recommends anchoring hardware be stainless steel.

Hardware continued

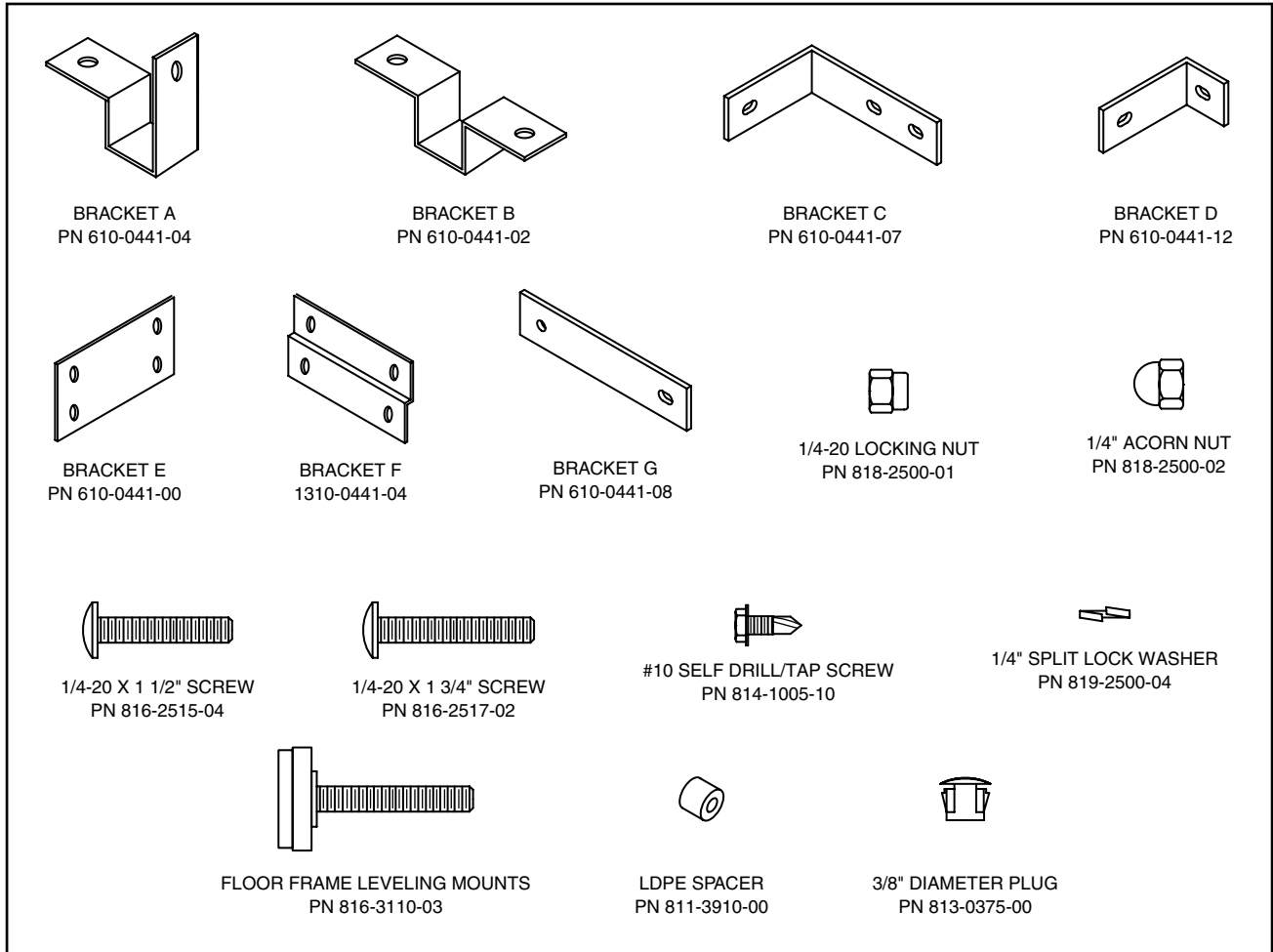


FIGURE 1

Troubleshooting

In the event that a problem occurs, a Midmark technician is ready to assist you. Please call Midmark for assistance before attempting any repairs.

Midmark Technical Support: 1-800-643-6275

General Installation Information

The assembly procedure is similar for all run styles.

For safe installation and to prevent damage to kennel run panels, work area should be clean and free of debris.

DO NOT remove plastic protective coating from wall surfaces until installation is complete.

1. Side End Panel. (single & side-by-side)

Mount Brackets "C" and "D" to side panels with 1/4-20 x 1 1/2" screws and 1/4-20 locking nuts. Bracket position determines left end, right end, and middle panel assemblies. Hardware should only be snugged and tightened when installation is complete. See Figures 2 thru 4.

Using 1/4-20 x 1 1/2" screws and 1/4-20 locking nuts attach three long leg of Bracket "C" to the back end of left or right end side panel using the bracket slots closest to the bracket corner and the pre-drilled panel holes. Repeat on gate end of panel attaching two Bracket "C" to panel.

Using 1/4-20 x 1 3/4" screws and 1/4-20 locking nuts attach the long leg of Bracket "D" to the middle pre-drilled panel hole on the gate end of side panel

Do not fully tighten attaching screws and nuts until kennel is fully assembled, squared, and checked for level.

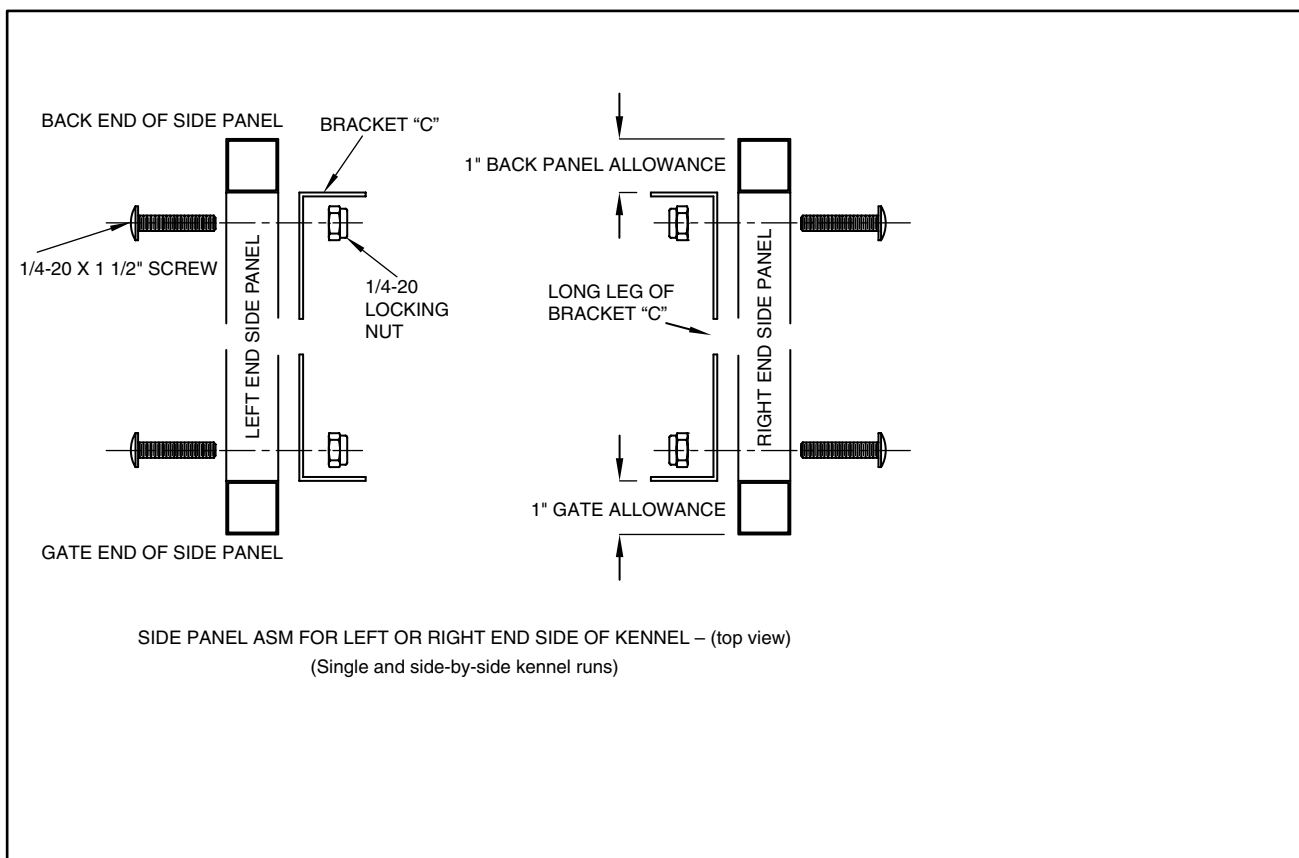


FIGURE 2

General Installation *continued*

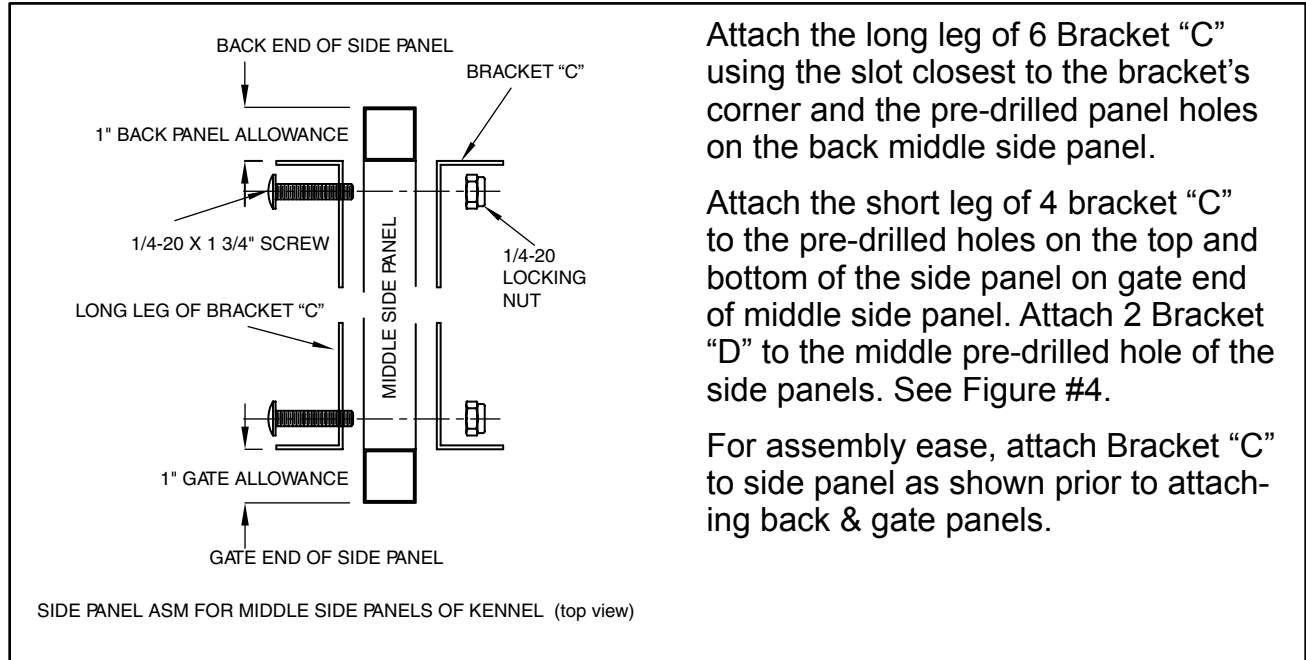


FIGURE 3

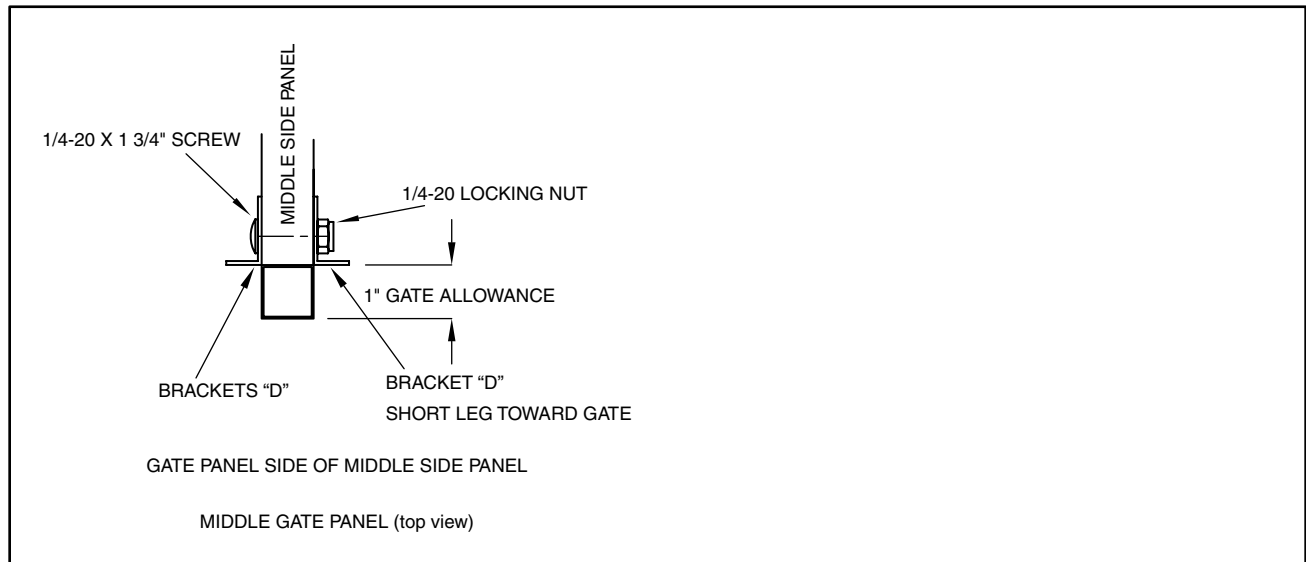


FIGURE 4

2. Back Panel Installation

Attach back end of end side panel to back panel 1/4-20 x 1 1/2" screws and 1/4-20 locking nuts. Adjust bracket to allow both panels to be flush and square with each other. See figure 5.

On other side of back panel, attach either a middle side panel or side end panel with the 1/4-20 x 1 1/2" screws and 1/4-20 locking nuts. Adjust brackets to allow all panels to be flush and square with each other. See figures 5 and 6.

General Installation *continued*

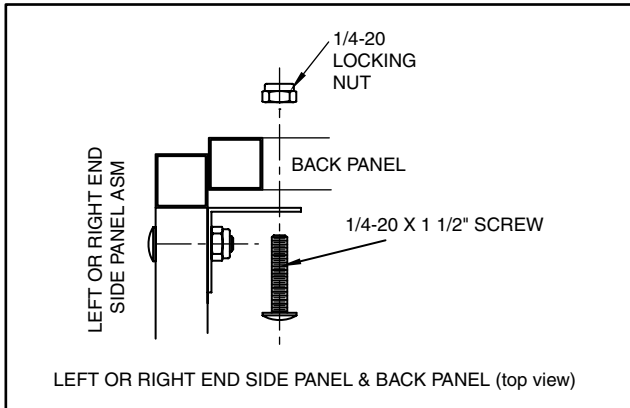


FIGURE 5

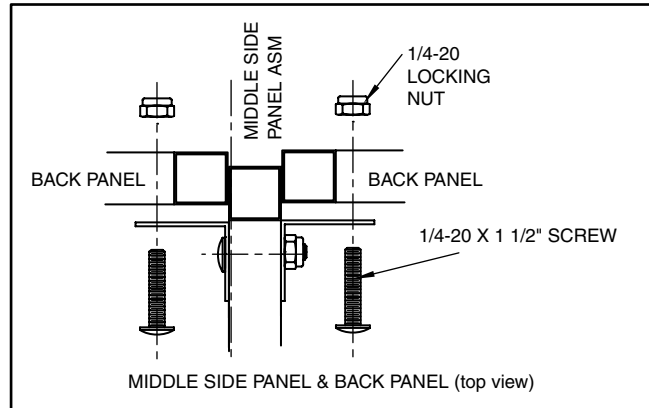


FIGURE 6

3. Attaching Gate Panel

Gate in gate panel must open out from the kennel but may be installed to allow swinging to the right or to the left, see

Figure 7. Install door handle and latch after fully assembling kennel panels, see Door Handle and Latch Assembly Section.

continued

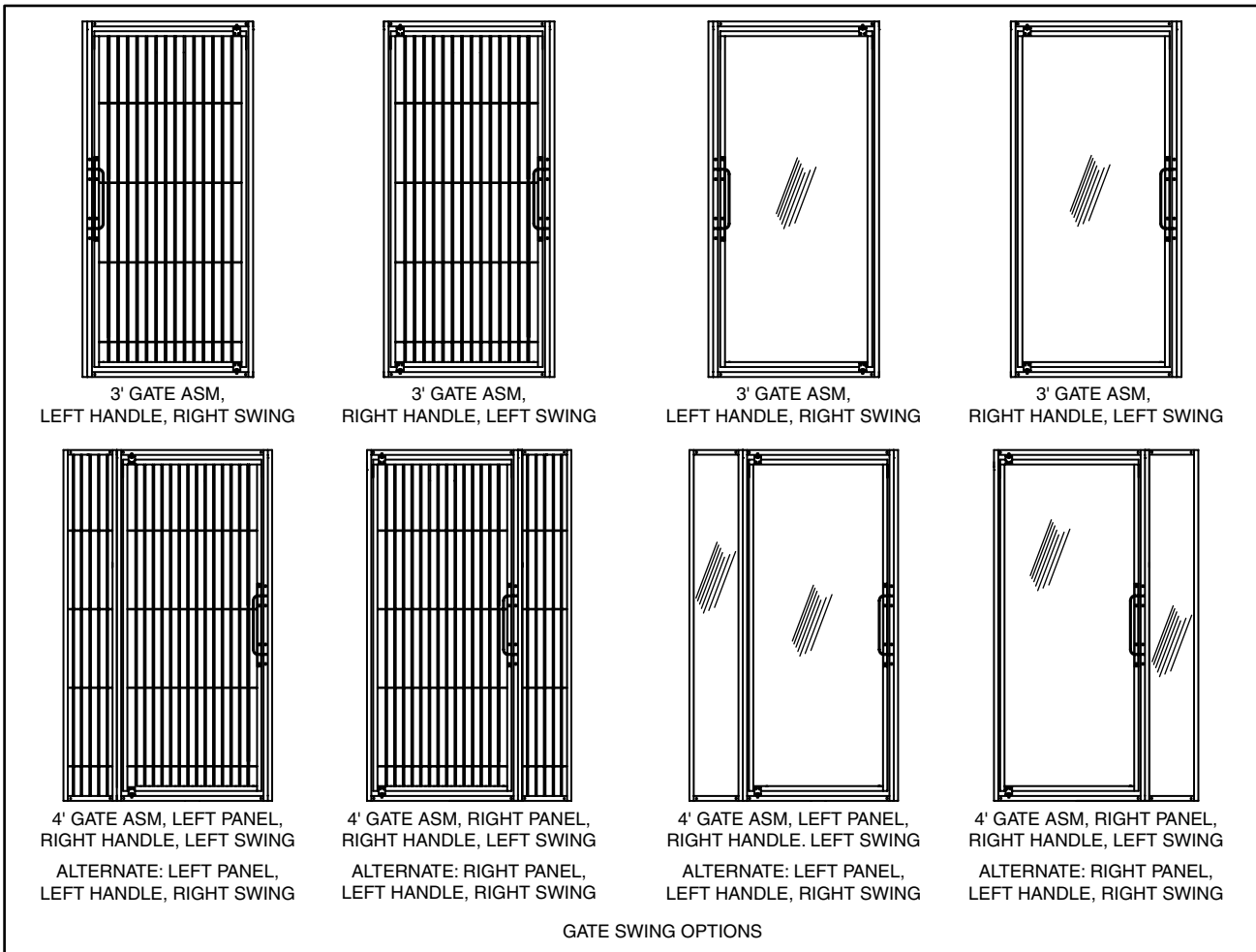


FIGURE 7

General Installation *continued*

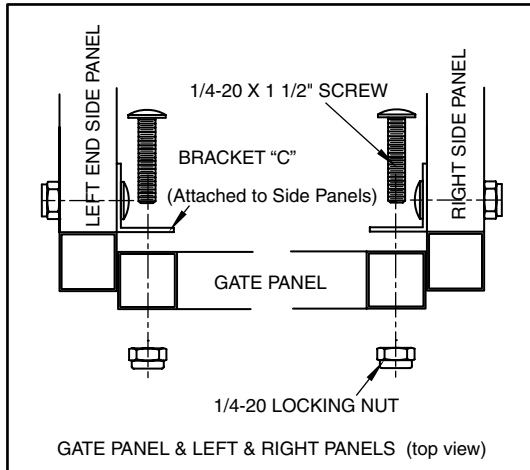


FIGURE 8

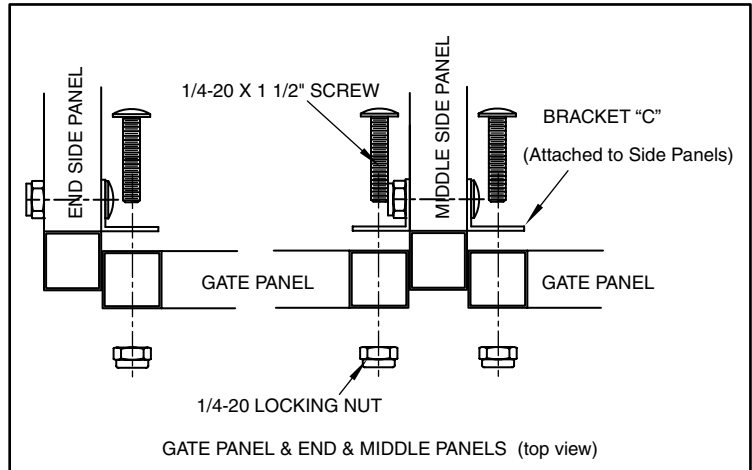


FIGURE 9

If gate panel is three foot wide, determine gate's swing and install gate panel to mating side panels. Lock in place with 1/4-20 x 1 1/2" screw and 1/4-20 locking nuts. See figure 8 & 9.

Four foot gate assemblies are usually assembled at factory. In the event that the front panel or gate needs to be changed, determine gate's swing and which side front panel will be installed. Remove and retain the three factory installed bolts and nuts that join the gate's outer frame and front panel, and re-install keeping the bolt head between the inner and outer gate frame with the nut on the panel side. See Figure 10.

Four foot gate assemblies not assembled at factory may be assemble as noted above or assembled with Bracket "G". Determine gate's swing and which side front panel will be installed. Install front panel to gate panel with the two Bracket "G" and 1/4-20 x 1 1/2" screws and 1/4-20 locking nuts on top and bottom of both panels. See Figure 11.

Install four foot wide gate/front panel assembly to mating side panel as noted in Figures 8 and 9.

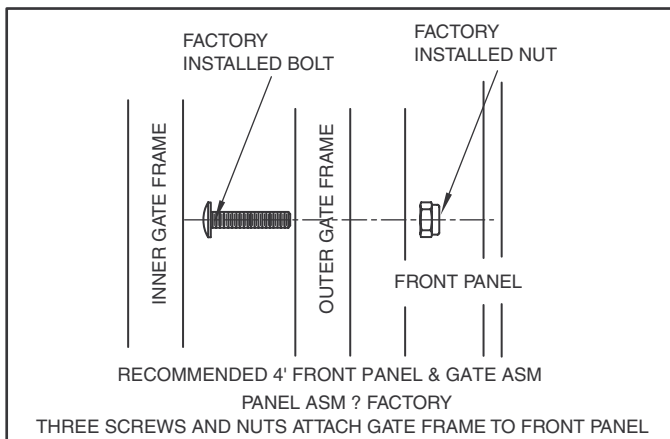


FIGURE 10

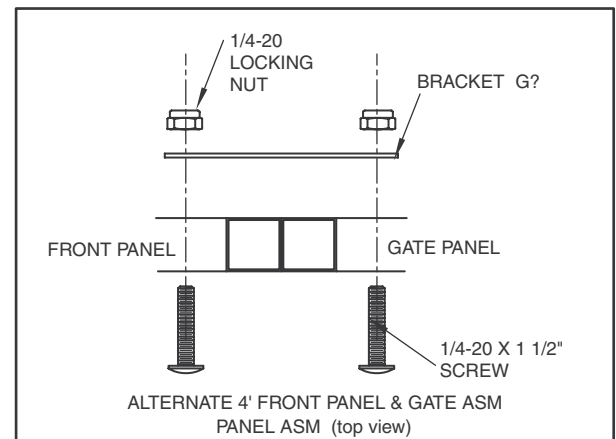


FIGURE 11

General Installation *continued*

4. Door Latch and Latch Assembly

Once the run assembly has been completed, fasten the latch assembly to the front of the gate frame with four 1/4-20 x 1 1/2" screws, split lock washers and 1/4" acorn nuts. See figure 13A.

Unless ordered otherwise, latch assembly is assembled for left swing. For right swing, latch assembly must be taken apart, locking plate flipped 180°, and re-assembled prior to installing on outer frame of kennel gate. See figure 12.

Install the handle assembly to each door using four 1/4-20 x 1 1/2" screws, split lock washers and 1/4" acorn nuts. Adjust the handle assembly to properly mate into the latching assembly. Alignment of the gate and gate hinge may be required to properly fit latch assembly. See figure 13B.

5. Raised Floor Assembly

If your installation does not include a raised floor, skip to step number 6 or 7.

Screw leveling floor mounts into the threaded inserts in all floor frame legs. Place floor frame assembly with the leveling mounts on the floor and with level, adjust all leveling mounts until floor frame is level. If your specific installation includes more than one floor frame, level each individual frame as noted prior to further assembly.

Lay drain system pan on level frame. Position the drain opening to match to existing plumbing access. **Avoid stepping on floor pan after installing into floor frame.** See Figure 15.

Install drain basket into drain spud and finish plumbing. Position kennel run on floor frame and anchor as noted in Figure 16.

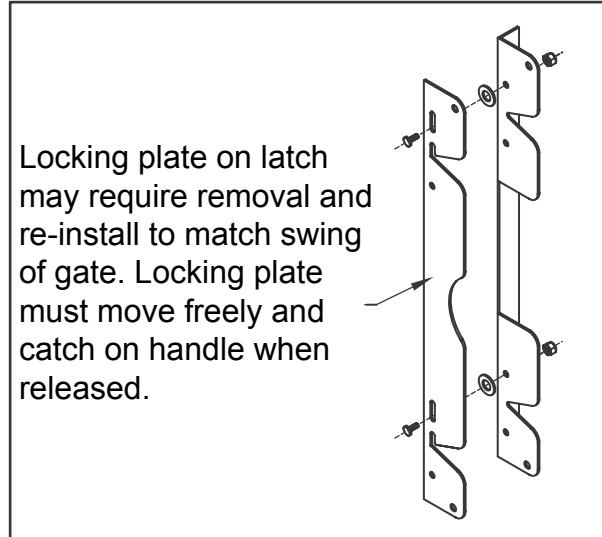


FIGURE 12

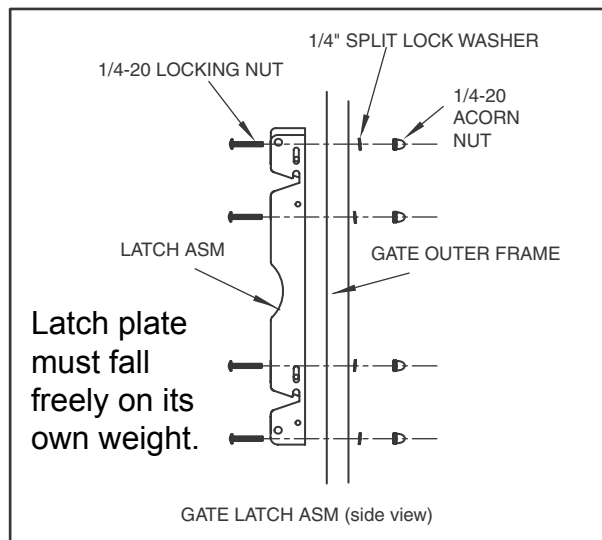


FIGURE 13A

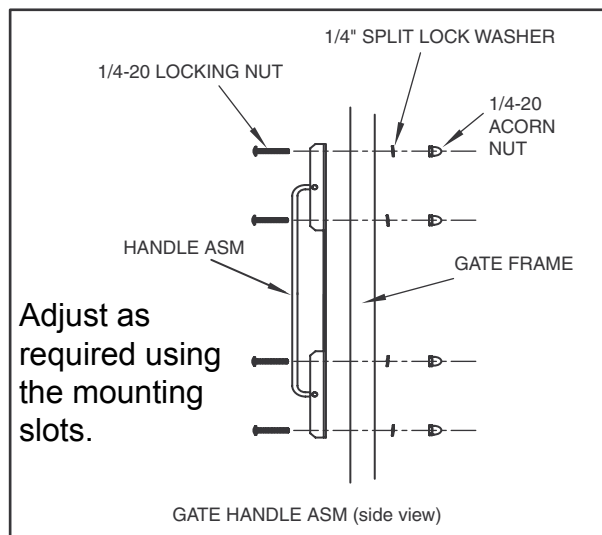


FIGURE 13B

General Installation *continued*

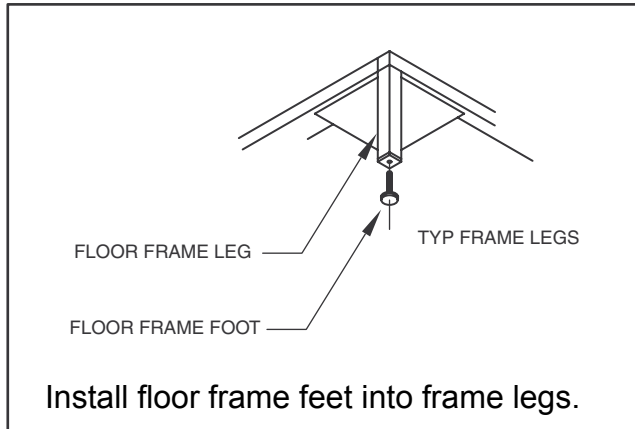


FIGURE 14

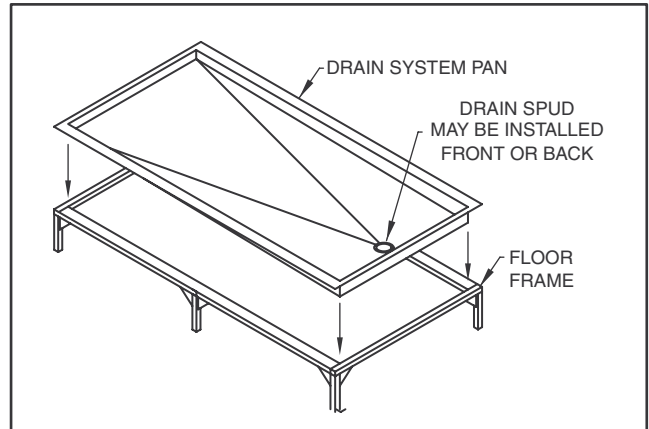


FIGURE 15

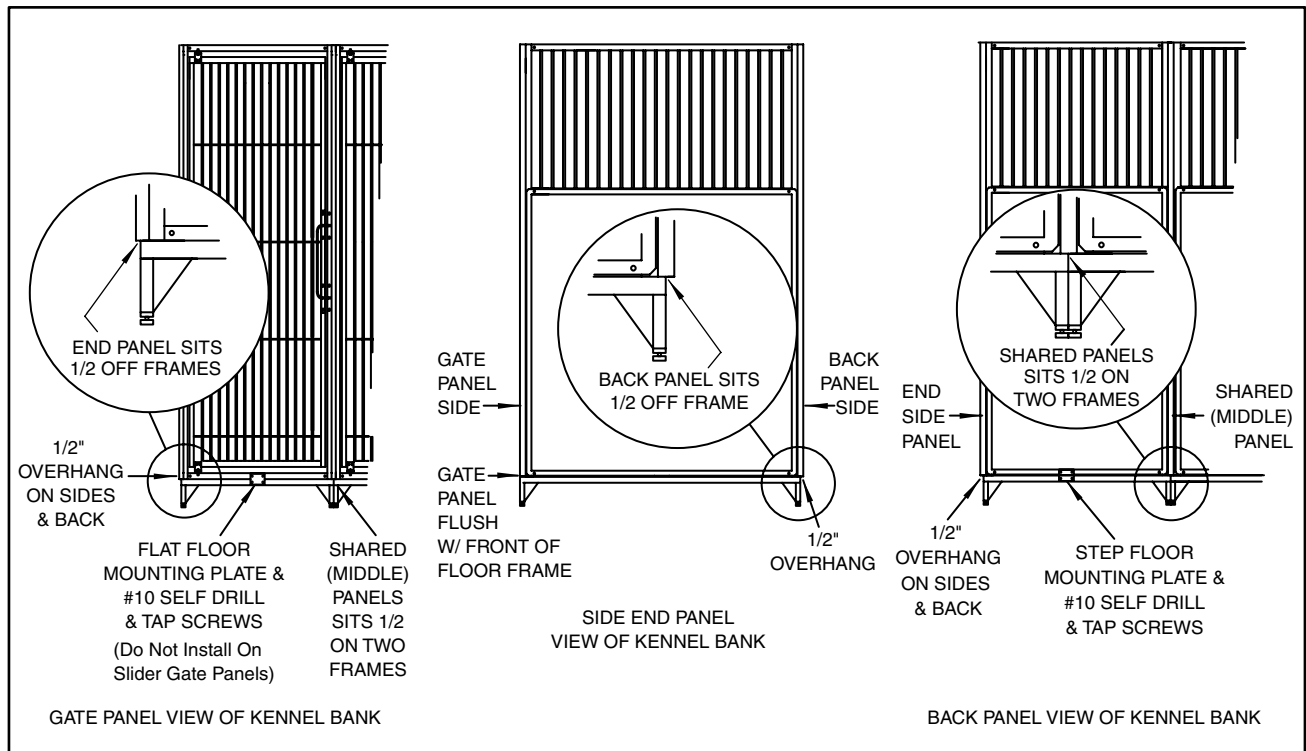


FIGURE 16

6. Sloping Floor Final Installation and Assembly

If your installation is installed using the existing floors, assemble mating kennel panels per your application as noted. Completed panel assemblies will then need to be anchored level and square before completely torquing down hardware.

To level side panels on sloping floors, a floor "U" channel may be required to be

attached to the bottom (floor end) of side panel. Channel will assist leveling side panels on floors with up to 1/4" per 1' slope. To install "U", channel, if not installed at factory, remove all screws from the bottom of both sides of the side panel. Slip "U" channel on bottom of panel, level, and re-install #10 self drill/tap screws to both sides of panel. See figure 17.

continued

General Installation *continued*

Installation of Back Panel Floor Cover

To fill gap between back panel and floor on sloped floors, install Back Panel Floor Cover to the back panel by removing the bottom screws on the back panels only. Apply 1/4" minimum bead of an anti-fungus silicone sealant to floor edge of back panel floor cover. Place the floor cover on the floor so that the edge is under the panel. Attach to bottom of back panel with self drill/tap screws. See Figure 18.

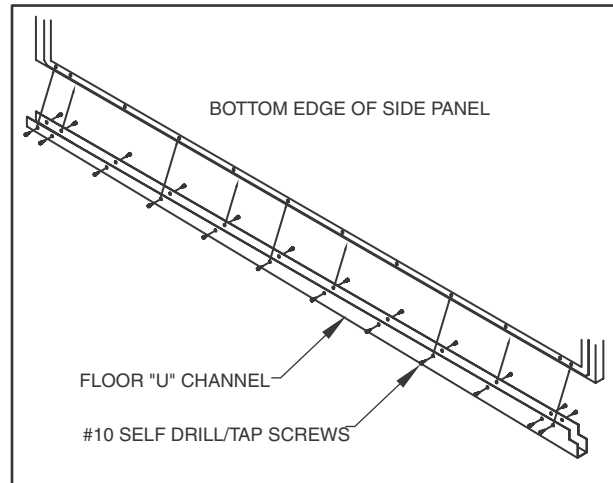


FIGURE 17

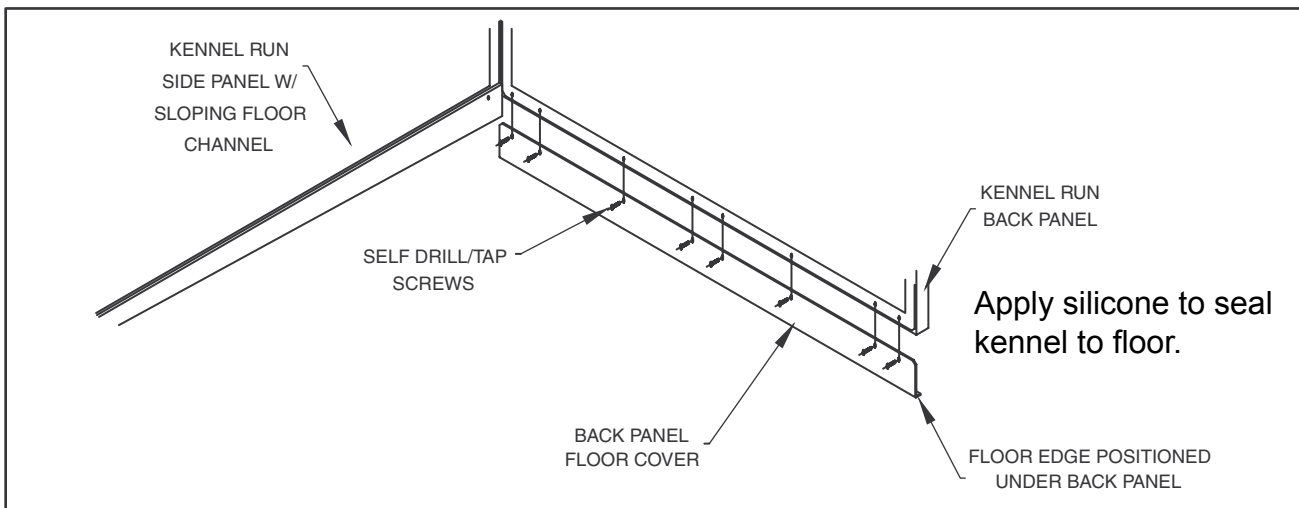


FIGURE 18

7. Final Assembly

Completely install each kennel until kennel bank is complete repeating the same installation order noted above. When complete, confirm the square of the gate and side panels. If necessary, shim for uneven floors between the bottom edges of the run and the floor. Tighten all 1/4-20 screws and locking nuts. Remove plastic protective coating from panels. Seal all panels to the floor with 1/4" minimum bead anti-fungus silicone sealant.

Attach flat floor mounting plate with four #10 self drilling and tapping screws to front of floor frame and bottom of front

panel. Attach the step mounting plate to the back of floor frame & back panel with four #10 self drilling & tapping screws .

Install the PVC coated floor panels on the floor frame. Lay first two floor panels on sides of floor frame/drain panel and slide to back of run. To install third floor panel, step into run and slide toward the front of run.

Floor panels are not designed to support over 250 lbs for 3' panels and 200 lbs for 4' panels.

Amendment "A" - Side (Isolation) Panel to Existing Wall Mounting

The following information is provided to assist in the installation of Kennel Side Panels to an existing wall.

Panel Assembly.

The assembly procedure is similar for all run styles.

For safe installation and to prevent damage to kennel run panels, work area should be clean and free of debris.

Do not remove plastic protective coating from panel surfaces until installation is complete.

Installation of Side Panel to Wall

For ease of installation, mount two Brackets "C" to bottom of side panel on the wall side of panel with 1/4-20 X 1 3/4" screws and 1/4" locking nuts. Hardware should only be snugged at this time and tightened when installation is complete. See Figure A1.

Slip 2 Bracket "B" in area between the end tube and 3/8" diameter rod. Locate one Bracket "B" under top panel tube and one Bracket "B" on top of isolation area of panels for proper spacing of brackets. See Figure A1.

Square and level side panel and anchor all brackets securely to wall. Midmark recommends using stainless steel anchoring hardware. Anchoring hardware will be supplied by customer and is to be consistent with current building codes for given wall materials.

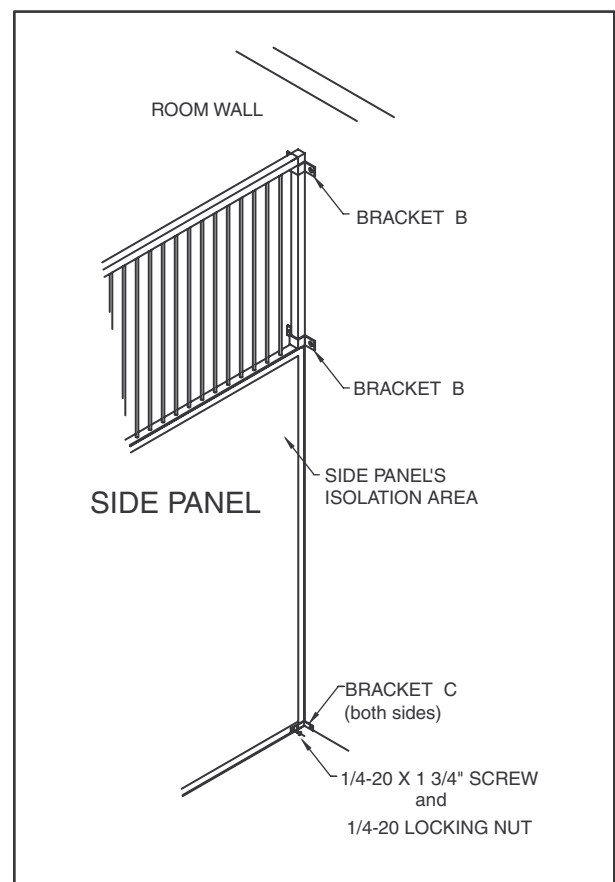
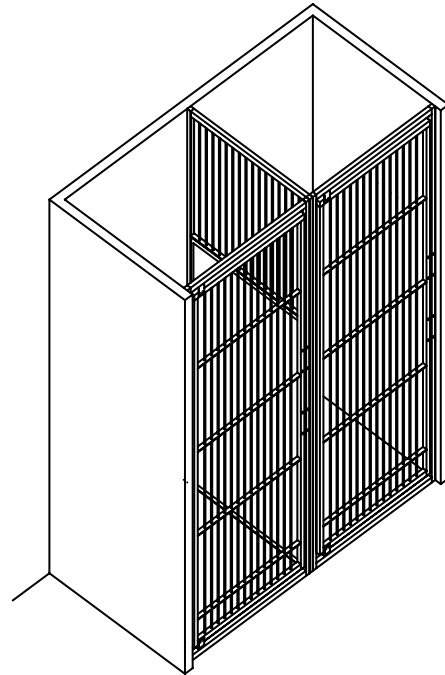


FIGURE A1

Amendment "B" - Existing Wall Mounting

The following information is provided to assist in the installation of Kennel Run Gate/Frame Assembly to an existing wall or wall opening. For safe installation and to prevent damage to kennel run panels, work area should be clean and free of debris.

The assembly procedure is similar for all run styles.

Do not remove plastic protective coating from panel surfaces until installation is complete.

a. INSIDE GATE OPENING MOUNT, NO BRACKETS - See Figure B1

Gate assembly may be mounted inside an existing wall opening using the 3 pre-drill \varnothing 3/8" holes drilled through each side of the gate's outer frame. Mounting bolt heads should be low profile to prevent interference with swing of gate.

Midmark recommends using stainless steel anchoring hardware to anchor kennel panels to wall. Anchoring hardware will be supplied by Customer to be consistent with current building codes for given wall materials.

Shimming between the gate assembly outer frame and existing wall may be required. Flat 3/8" ID stainless steel washers or 3/8" ID LDPE spacers. LDPE spacers come in 1/2", 3/4" and 1" lengths and may be cut to fit application.

b. OUTSIDE GATE OPENING MOUNT WITH BRACKET "A" - See Figure B2

Gate assembly may be mounted outside existing wall opening. Recommend 3 brackets per side.

continued

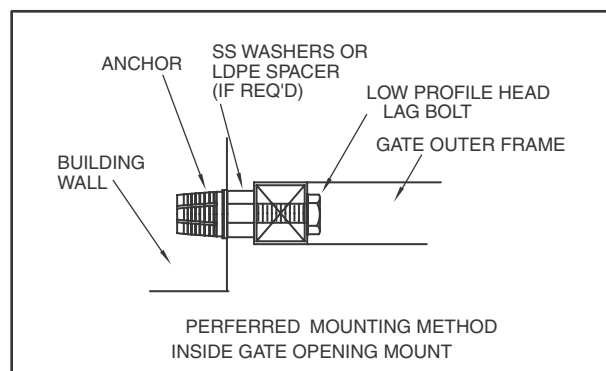
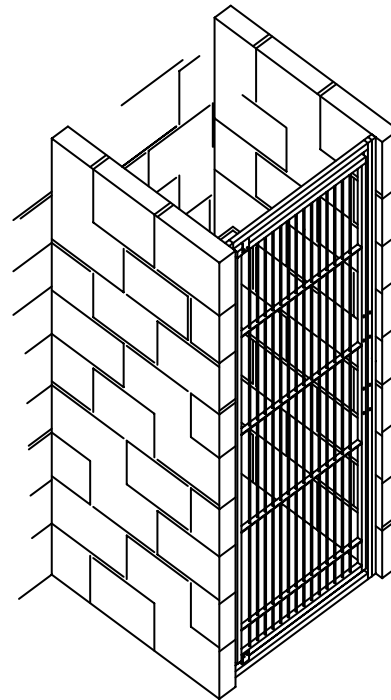


FIGURE B1

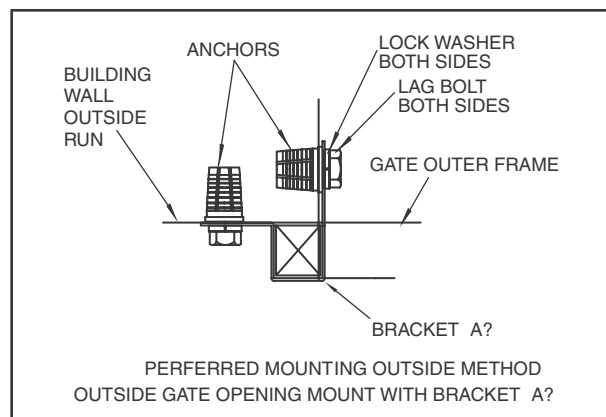


FIGURE B2

Amendment "B" continued

c. OPTIONAL MOUNTING OPTION Inside gate opening with Bracket "A"- See Figure B3.

Gate assembly may be mounted inside existing wall opening with Bracket "A" and 2 anchor bolts per bracket. Recommend 3 brackets per side.

d. OPTIONAL MOUNTING OPTION Inside gate opening with Bracket "B"-See Figure B4

Gate assembly may be mounted inside existing wall opening with Bracket "B" and 2 anchor bolts per bracket. Recommend 3 brackets per side.

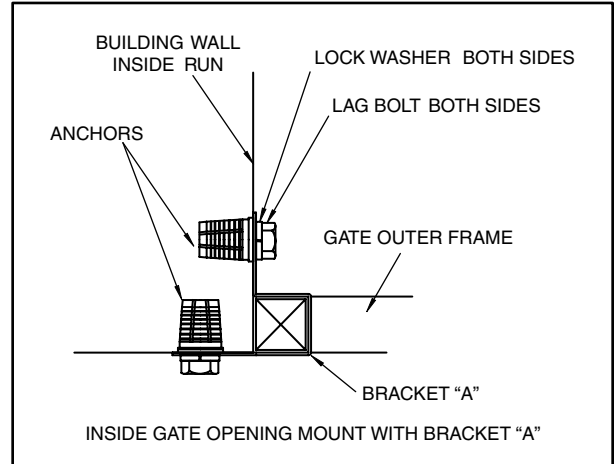


FIGURE B3

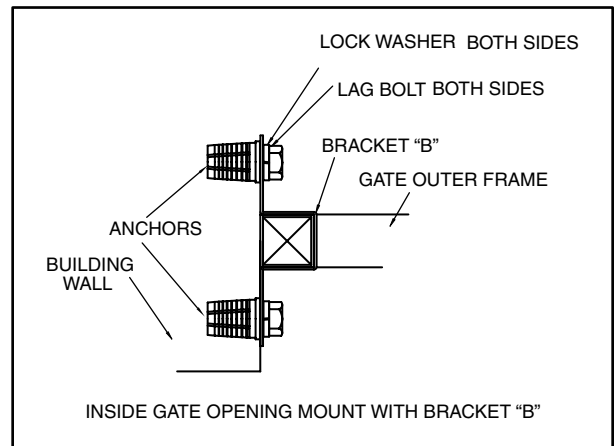


FIGURE B4

Care and Cleaning

PROPER CARE OF STAINLESS STEEL WILL PREVENT RUSTING

There is an invisible passive film on all stainless steel that acts as a shield against corrosion. As long as this film is properly cared for, the metal is protected from corrosion. The following tips will assist you in this cleaning process.

- 1.) Use non-abrasive tools -
 - A) Soft cloths
 - B) Plastic scouring pads
 - C) Stainless steel pads (scrubbing motion must be in the direction of the polishing marks)
 - D) **Do not use** - steel pads, wire brush, or scrapers
- 2.) Clean or scrub in the same direction of the visible polishing lines
- 3.) Use alkaline, alkaline chlorinated, or non-chloride containing cleaners.

Avoid cleaners containing quaternary salts. Consult your cleaner supplier for these types of products. Use recommended strength for cleaning

- 4.) Use soft water – this reduces deposits. Consult your treatment specialist for the proper filters to eliminate corrosive elements
- 5.) Clean frequently to avoid build-up of hard, stubborn stains
- 6.) Rinse thoroughly – wipe dry immediately - allow to air dry
Do not let water or cleaner set on stainless steel - wipe off immediately
- 7.) **Never use** Hydrochloric acid (muriatic acid) on stainless steel

RECOMMENDED CLEANERS

JOB	CLEANING AGENT	COMMENTS
Routine cleaning	Soap, Ammonia, Detergent, Medallion, Foamquat™	Use cloth or sponge
Fingerprints, smears	Arcal 20, Lac-O-Nu, Ecoshine	Provides barrier film
Stubborn stains or discolorations	Cameo, Talc, Zud, First Impression	Rub in direction of polish lines
Grease, fatty acids, blood	Easy-off, De-grease it, Oven aid	Use cloth or sponge
Grease and oil	Any good commercial detergent	Use cloth or sponge
Restoration/Passivation	Bonefir, Super Sheen	Use cloth or sponge

CAUTION: DO NOT USE CHLORINE BASED PRODUCTS!

Please call Midmark with any questions you may have. **1-800-643-6275**

Product Warranty

This product is warranted for 1 year from the date of delivery to the original purchaser only. If equipped with an electric column, the column is warranted for 2 years. The warranty is only applicable if customer complies with all instructions and specifications furnished by Midmark relating to installation, care, and application. The customer agrees not to modify, misapply, or misuse product in any manner which deviates from the Midmark instructions. Any repairs, alterations, or services provided by parties other than Midmark or its authorized representatives may void warranty. The buyer is responsible for all freight charges on returned items.

Product Satisfaction Policy

In the event that the customer is not fully satisfied with the products purchased, Midmark may, at its own discretion, arrange for the customer's account to be credited (excluding shipping charges) or replace the product. The customer must notify Midmark of any claim of nonconformity or defect in writing within 30 days from the date of receipt. The product must be returned to Midmark in its original packaging, undamaged and showing no unusual wear within 20 days of the customer's written notice.

To return an item, follow these simple instructions:

- Call Midmark for complete instructions (1-800-643-6275)
- A sales representative will give you a Return Authorization Number
- If a Restocking Fee applies, you will be informed at this time
- Label the boxes with the Return Authorization Number
(All items must have a Return Authorization Number)
- Return the items, postage/freight prepaid

If necessary, the Midmark sales representative will assist you with freight arrangements.

Note: Custom orders and/or custom colors may not be returned.

Midmark Corporation - Carthage Facilities

1000 Civil War Road

Area 5

Carthage, MO 64836

1-800-643-6275

