

INSTALLATION INSTRUCTIONS

for the REPLACEMENT TRUNNION KIT PN 152708



WARNING: To perform the following installation procedures, the interior wiring of the chair will be exposed while the chair is plugged in. To avoid electrical shock or injury, please do not touch this wiring.

1. Raise the chair all the way up.
2. Remove the plastic covers to expose the motor as shown (See Figure 1).
3. Position a 21" long wooden 2x4 support under the top structure and lower the chair onto this support. (See Figure 2).



WARNING: The chair must be supported to prevent it from falling and causing personal injury and/or damage to the chair.

4. Remove (4) #10-32 socket head screws and lockwashers and (2) retaining plates to release the trunnion block assembly from the chair frame (See Figure 2).
5. Remove the M10 x 16mm socket head screw, flat washer and lockwasher from the motor shaft end and unscrew the trunnion block from the motor shaft (See Figure 2).
6. Disassembly the trunnion block assembly by removing the (2) 1/4-20 socket head screws (See Figure 1).
7. Replace the trunnion block with the new trunnion block and pin from the kit and assembly as shown (See Figure 3).
8. Install the trunnion block assembly by performing steps 1-5 in reverse.



IMPORTANT NOTE: lubricate both trunnion studs with an extreme pressure lubricant such as Magnalube-G Teflon Lubricant.

9. After the installation is complete, make sure all the covers are in place and check the safety bail for proper function. Operate the chair through it's various positions to make sure it is working properly.

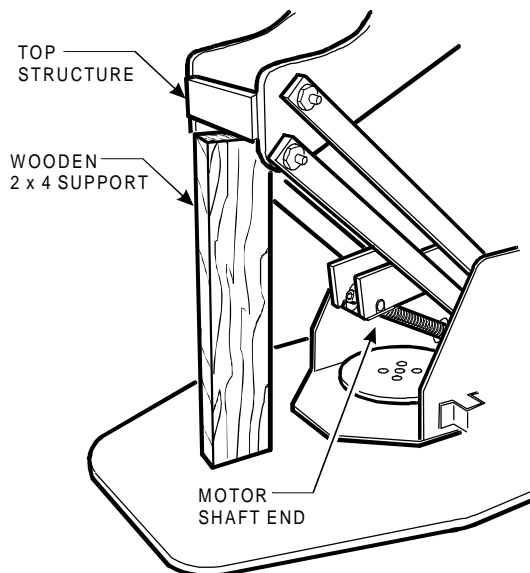


Figure 1

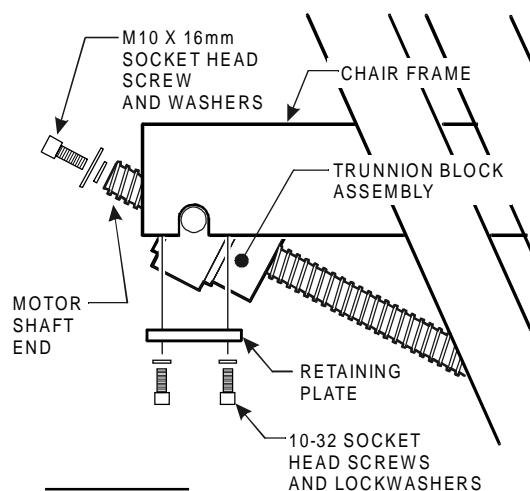


Figure 2

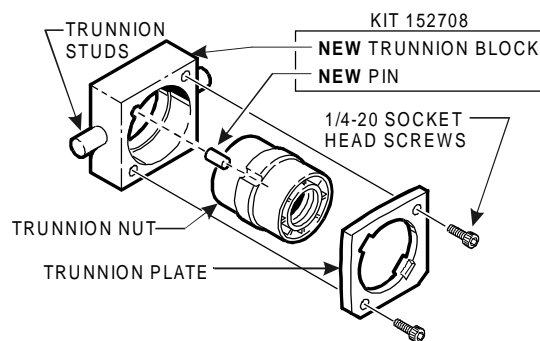


Figure 3

Knight[®]
by Midmark

Midmark Corporation • P O Box 286 • 60 Vista Drive
Versailles • Ohio • 45380-0286 • www.midmark.com
Phone: 937-526-3662 Fax: 937-526-5542

TPW1451 Rev. B