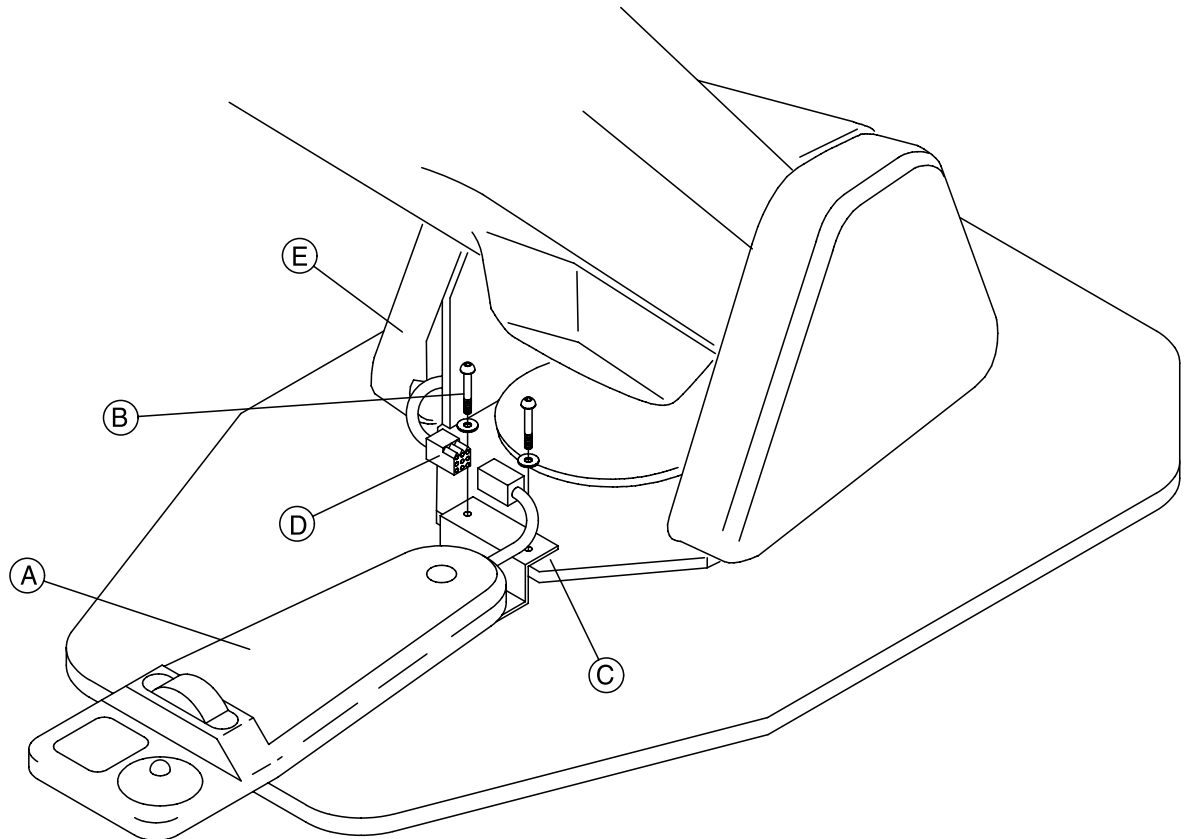


BILTMORE / BILTMORE CLASSIC FIXED FOOT CONTROL INSTALLATION



- (A) Remove Foot Control from packing material.
- (B) Remove (2) 1/4-20 socket head screws and (2) 1/4" Flat Washers from Chair Base
- (C) Install Fixed Foot Control on Chair Base as shown using 1/4" Screws and Washers
- (D) Plug Foot Control Connector into Connector protruding from left hand Base Cover.
- (E) Push connectors behind left hand Base Cover.
- (F) Check fuction of Foot Control as described in Section III part 2 of the Chair Installation Manual.

Knight[®]
by Midmark

Midmark Corporation • 60 Vista Drive • P O Box 286
Versailles • Ohio • 45380-0286 • www.midmark.com
Phone: 937-526-3662 Fax: 937-526-5542

TPW1518 Rev.B (11/99)