

INSTALLATION INSTRUCTIONS

for the UNIT MOUNTED CHAIR CONTROL

PN 153020 Right Hand PN 153019 Left Hand

I. PREPARATION



WARNING: Unplug all equipment from the power source before beginning this procedure.

Unplug the chair from the power source and remove the seat and back cushions and the rear platform covers. (Refer to the chair installation manual).

II. INSTALLATION PROCEDURE

1. As you installing the unit, pass the cable down through the unit post and out the bottom of the chair mount (See Figure 1).
2. Run the control cable along the bottom of the chair mount and attach it to the underside of the chair mount with cable clips (See Figure 1).
3. Remove the pivot pin in the right hand clevis by loosening the set screw and pulling the pin out as (See Figure 2).
4. Disconnect the PC board cable from the existing wire harness cable at the connector. Remove the PC cable from the two cable clips (See Figure 2).

continued on next page.....

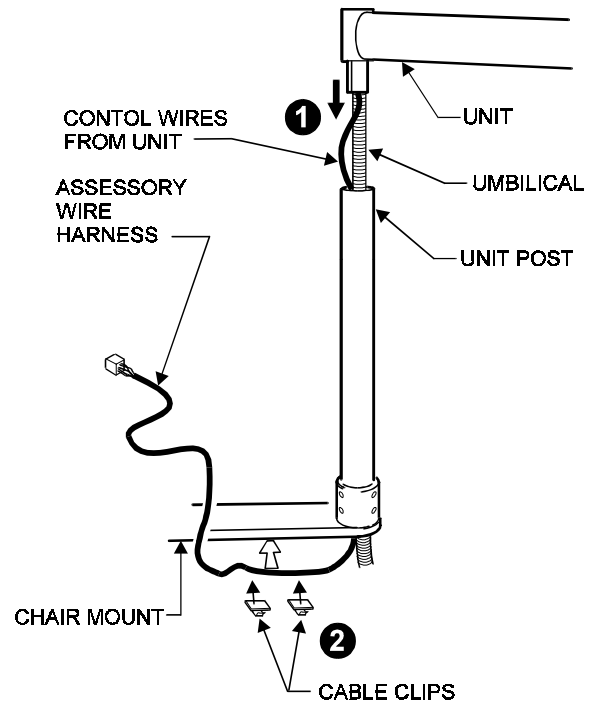


Figure 1

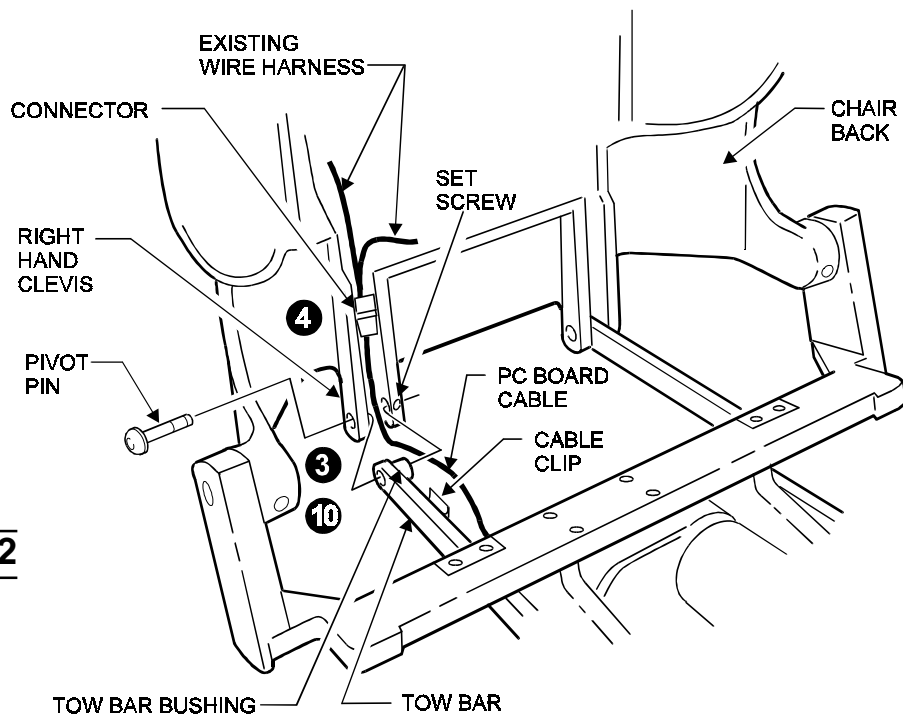


Figure 2

5. Route the control cable into the top structure of the chair (See Figure 3).
6. Install a cable clip to the inside front of the top structure to hold the harness in place (See Figure 3).
7. Plug the accessory wire harness into the connector on the existing wire harness (See Figure 3).
8. Insert the cable into the same cable clip that held the PC board cable. *This step is important to insure proper cable routing which will allow the chair back to move freely without damaging the cable* (See Figure 3).
9. Plug in the remaining two connectors as shown (See Figure 3)
10. Re-install the tow bar to the right clevis and secure the pivot pin by tightening the set screw. Be sure the cable is mounted behind the tow bar bushing (Refer to Figure 2).
11. Coil all excess cable and neatly tie with the plastic cable ties provided for that purpose (See Figure 3).

III. OPERATIONAL CHECK

Plug the chair in and operate the chair back through its range of travel and check to be sure the cables will not interfere with the chair back movement.

Operate the chair using the newly installed unit mounted chair control to make sure it is functioning properly (Refer to the chair operation and care manual).

Replace all the covers and upholstery (Refer to the chair installation manual).

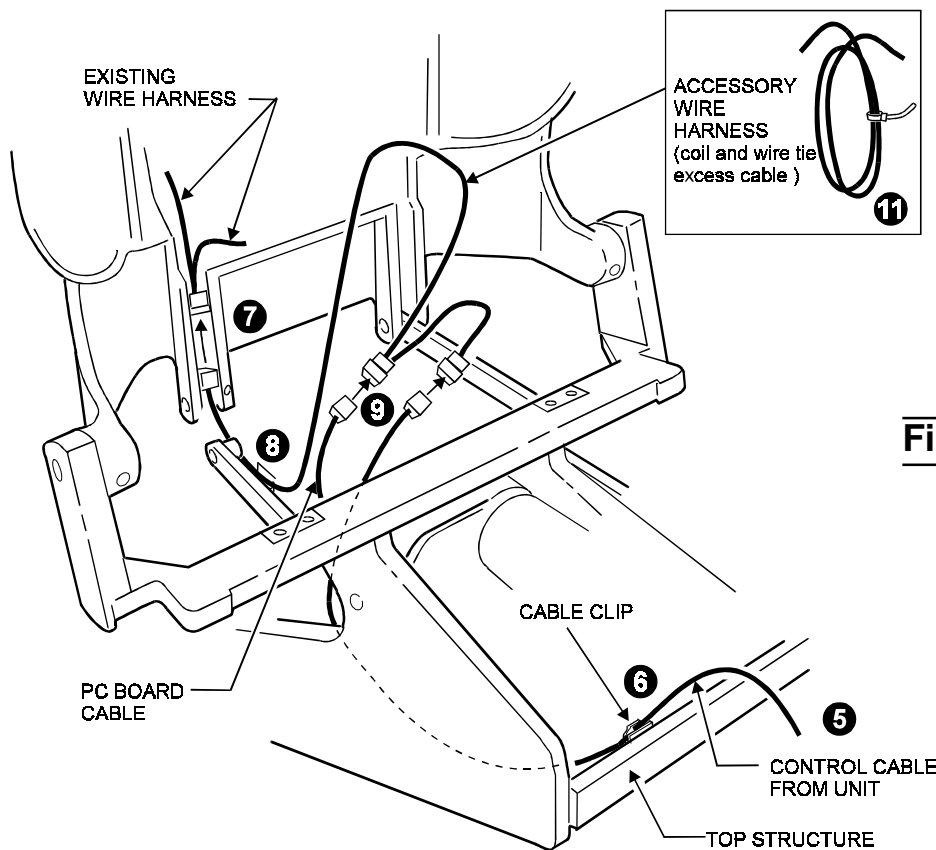


Figure 3

Knight®

by Midmark

Midmark Corporation • P O Box 286 • 60 Vista Drive
Versailles • Ohio • 45380-0286 • www.midmark.com
Phone: 937-526-3662 Fax: 937-526-5542