

Installation Instructions

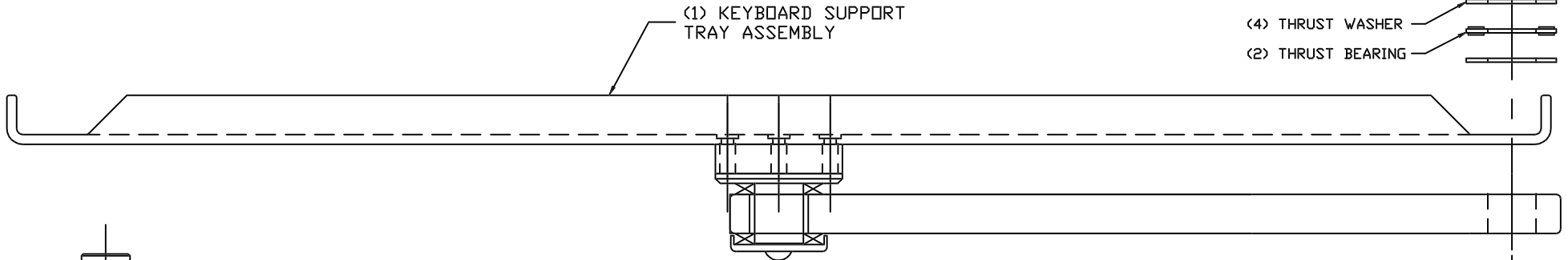
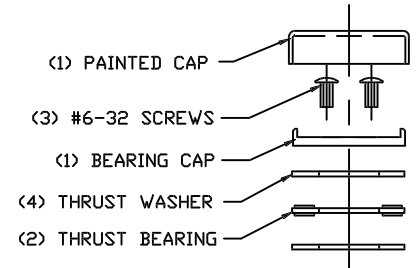
for the
Keyboard Support Tray

Knight[®]

by Midmark

Midmark Corporation • P O Box 286 • 60 Vista Drive
Versailles • Ohio • 45380-0286 • www.midmark.com
Phone: 937-526-3682 Fax: 937-526-5542

TPW1715 Rev. B (10/99)



ASSEMBLY NOTES:

- 1.) REPLACE 3-1/2" SUPPORT POST ON INSTRUMENT TRAY WITH THE NEW 7-1/2" LONG SUPPORT POST.
- 2.) ASSEMBLY BEARING ASSEMBLY AS SHOWN.
- 3.) TIGHTEN (3) #6-32 SCREWS TO PROVIDE SLIGHT DRAG (FRICTION) ON PIVOT (BOTH PIVOT JOINTS).
- 4.) SECURE PAINTED CAP IN PLACE WITH SILICON (RTV) ADHESIVE AFTER (3) SCREWS HAVE BEEN TIGHTENED.
- 5.) FOLLOW STEPS 2 THRU 4 ON BOTH THE KEYBOARD TRAY AND THE INSTRUMENT TRAY.
- 6.) INSTALL BOTH ASSEMBLIES TO WORK SURFACE USING KNOB ASSEMBLY.

(1) EXISTING 3-1/2" SUPPORT POST FROM INSTRUMENT TRAY

(1) NEW LONGER 7-1/2" SUPPORT POST TO REPLACE 3-1/2" SUPPORT POST FROM INSTRUMENT TRAY

WORK SURFACE

(1) KNOB ASS'Y

