

INSTALLATION INSTRUCTIONS

for the

LR Monitor Arm (chair with unit)

1. INSTALLING THE POST

1. Remove the seat upholstery and mounting bracket cover if necessary (refer to the LR chair and LR unit installation manuals)
2. Position the post on the unit arm assembly with the steel washer and delrin washer as shown. Make sure the large bolt is all the way in the slot that is located on the underside of the post (See Figure 1).
3. While supporting the post, insert the mounting bolt and washer into the threaded hole in the top of the large bolt. Torque to 20 ft. lbs. and cover the bolt with the cap.

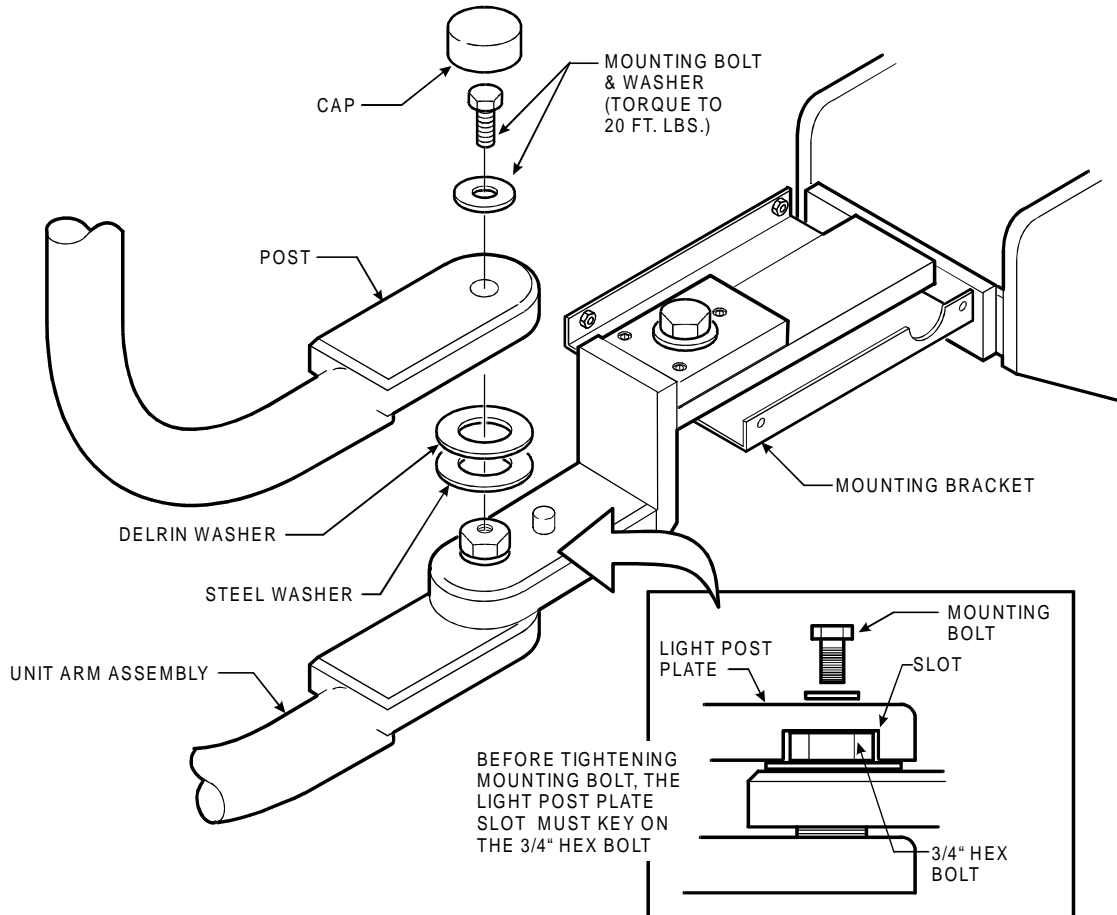


Figure 1

AF1084

2. INSTALLING THE SUPPORT TRAY ASSEMBLY

After the post is in place, install the tray assembly using the following procedure. This will require two people:

1. Find the plastic cable sleeve and tube of lubriplate in the small parts box. While one person is holding the tray assemble, position the monitor on the tray top and run the cables through the slot in the top of the tray.
2. Insert the cable into the slot in the bushing and secure them in place using the plastic cable sleeve (See Figure 2). Leave enough slack in the cables to allow the monitor to tilt.
3. Apply a few drops of lubriplate to the end of the plastic bearing (See Figure 3).
4. Insert the plastic bearing into the end of the post as you feed the monitor cables into the post and out the end.
5. Tighten the stop screw until it makes contact with the plastic bushing inside. Back the screw out one turn.
6. Insert the cable ends up through the cable hole in the post plate (See Figure 4).
7. Clamp the cables to the unit arm assembly leaving 8 inches of slack in the light cable between the "P" clamp and the cable hole.
8. Replace the mounting bracket cover and seat upholstery.
9. Run the cables to the computer. Cable extensions may be required.

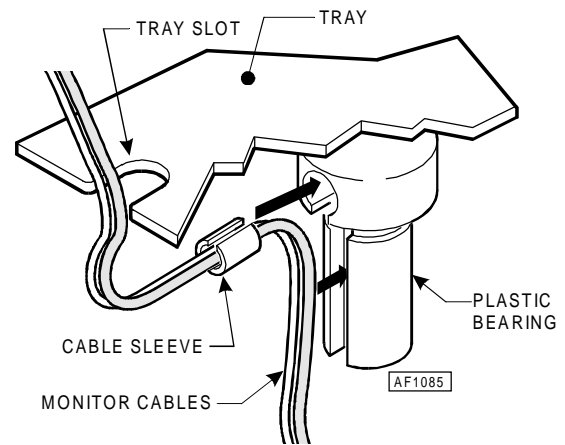


Figure 2

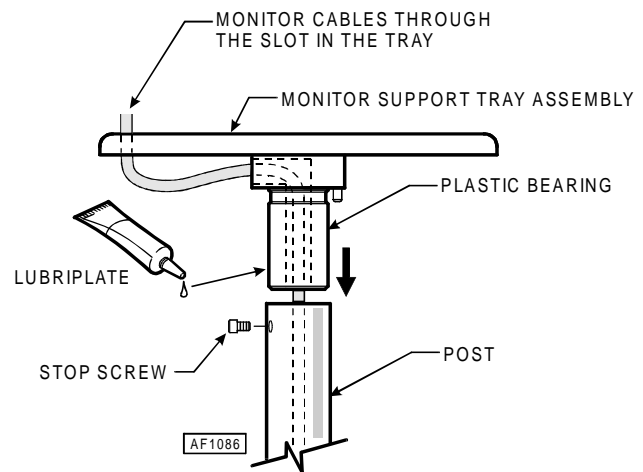


Figure 3

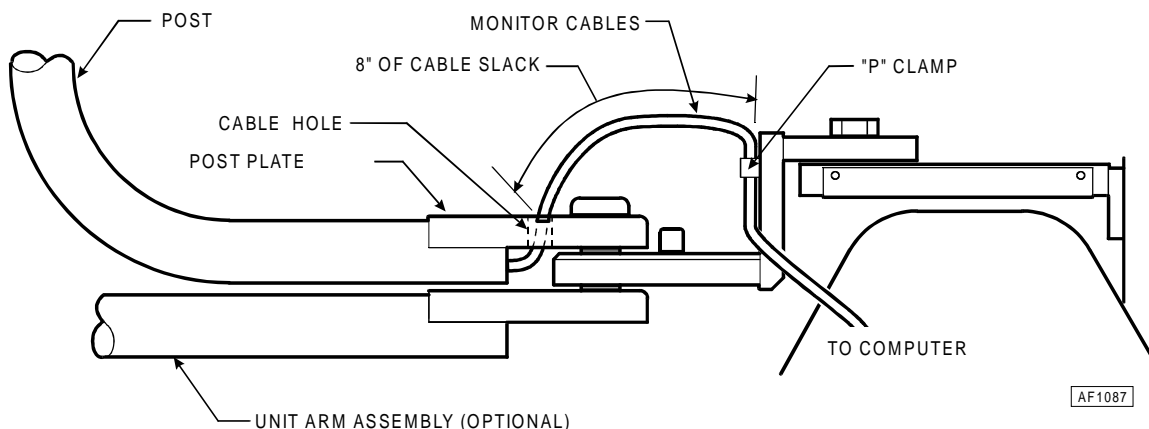


Figure 4

Knight[®]
by Midmark

Midmark Corporation • P O Box 286 • 60 Vista Drive
Versailles • Ohio • 45380-0286 • www.midmark.com
Phone: 937-526-3662 Fax: 937-526-5542