

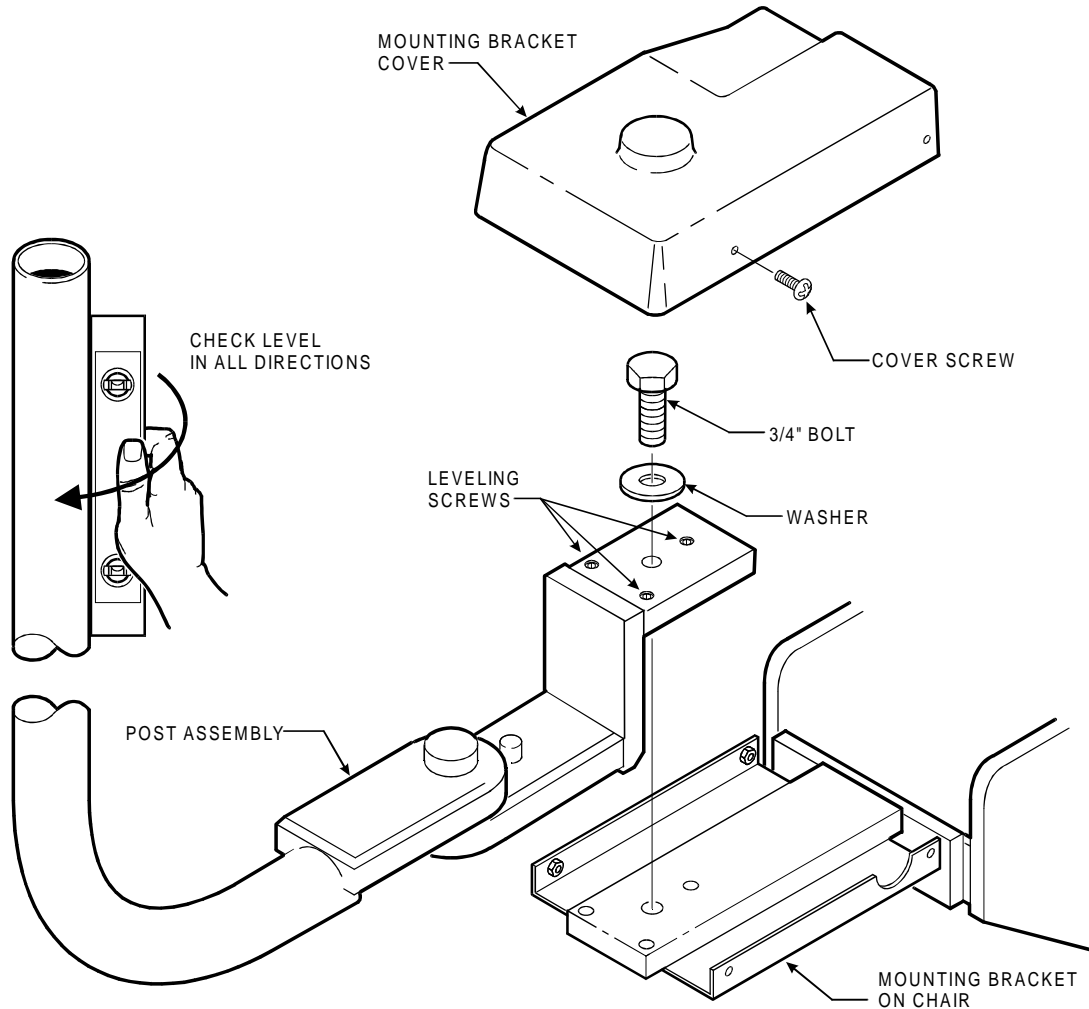
# INSTALLATION INSTRUCTIONS

for the

## *LR Monitor Arm* (chair without unit)

### 1. INSTALLING THE POST ASSEMBLY

1. Remove the seat upholstery and mounting bracket cover if necessary (refer to the chair installation manual)
2. Position the post assembly on the mounting bracket and screw the 3/4" bolt and washer into the tapped hole. Tighten finger tight leaving the arm assembly loose enough to allow the leveling screw to be adjusted (See Figure 1).
3. Using a spirit level against the top portion of the post, loosen or tighten the leveling screws to level the post. Be sure to check the level in all directions by moving the spirit level in all directions around the post.
4. Tighten the 3/4" bolt and check the level again. Repeat the leveling procedure if necessary.



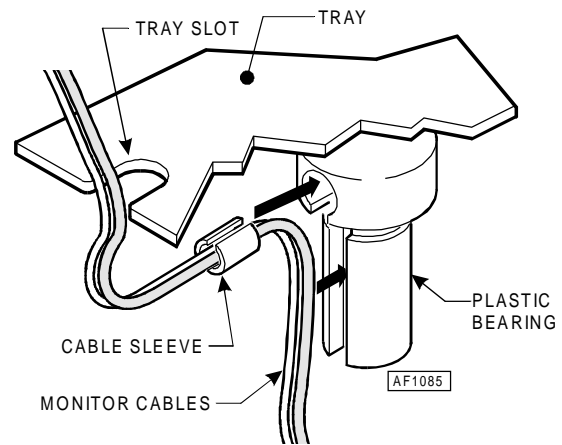
**Figure 1**

AF1080

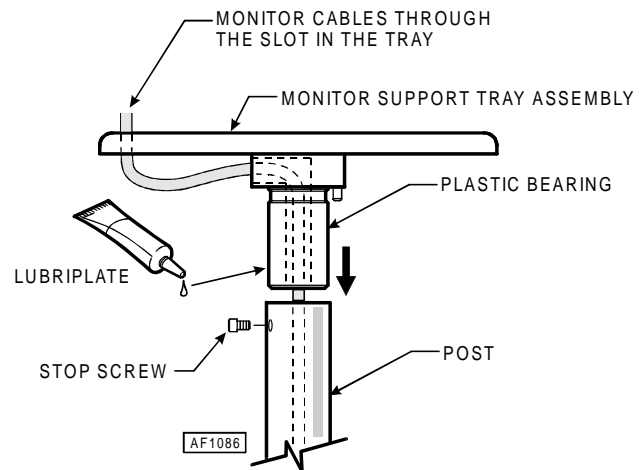
## 2. INSTALLING THE SUPPORT TRAY ASSEMBLY

After the post is in place, install the tray assembly using the following procedure. This will require two people:

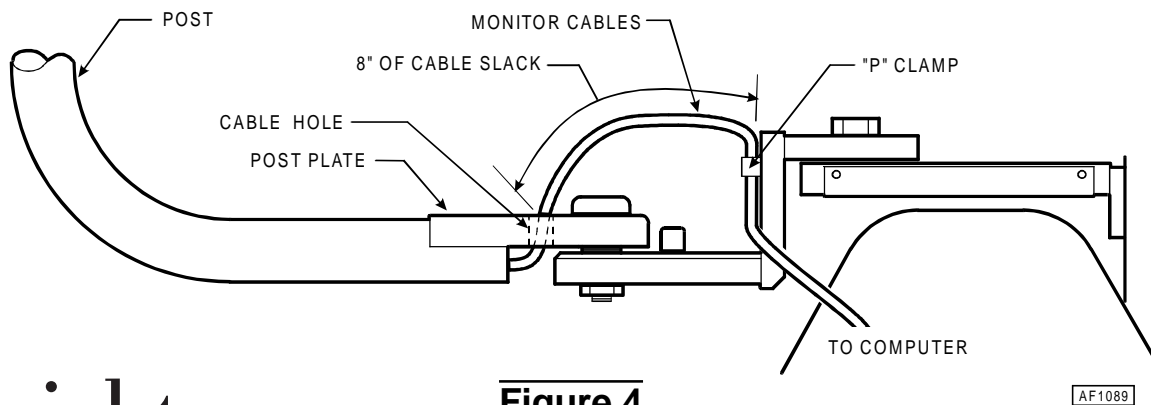
1. Find the plastic cable sleeve and tube of lubriplate in the small parts box. While one person is holding the tray assemble, position the monitor on the tray top and run the cables through the slot in the top of the tray.
2. Insert the cable into the slot in the bushing and secure them in place using the plastic cable sleeve (See Figure 2). Leave enough slack in the cables to allow the monitor to tilt.
3. Apply a few drops of lubriplate to the end of the plastic bearing (See Figure 3).
4. Insert the plastic bearing into the end of the post as you feed the monitor cables into the post and out the end.
5. Tighten the stop screw until it makes contact with the plastic bushing inside. Back the screw out one turn.
6. Insert the cable ends up through the cable hole in the post plate (See Figure 4).
7. Clamp the cables to the unit arm assembly leaving 8 inches of slack in the light cable between the "P" clamp and the cable hole.
8. Replace the mounting bracket cover and seat upholstery.
9. Run the cables to the computer. Cable extensions may be required.



**Figure 2**



**Figure 3**



**Figure 4**

**Knight**<sup>®</sup>  
by Midmark

Midmark Corporation • P O Box 286 • 60 Vista Drive  
Versailles • Ohio • 45380-0286 • www.midmark.com  
Phone: 937-526-3662 Fax: 937-526-5542