

INSTALLATION INSTRUCTIONS

FOR THE REMOTE CHAIR CONTROL

I. PREPARATION



WARNING: Unplug all equipment from the power source before beginning this procedure.

Unplug the chair from the power source and remove the seat and back cushions (Refer to the chair installation manual).

II. INSTALLATION PROCEDURE

1. Remove eight chair covers; left hand platform cover, right hand platform cover, center platform cover, back parallel arm cover, front parallel arm cover, left cover, right cover and front cover. (See Figure 1).
2. Remove the pivot pin in the right hand clevis by loosening the set screw and pulling the pin out as (See Figure 2).
3. Disconnect the PC board cable from the existing wire harness cable at the connector. Remove the PC cable from the cable clip (See Figure 2).
7. Plug the accessory wire harness into the connector on the existing membrane switch wire harness and run the long end downward (See Figure 3).

8. Insert the cable into the same cable clip that held the PC board cable. *This step is important to insure proper cable routing which will allow the chair back to move freely without damaging the cable* (Refer to Figure 2).

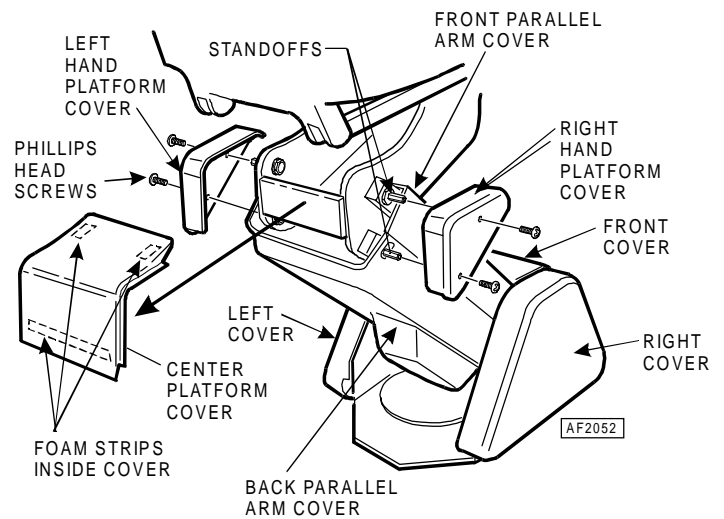


Figure 1

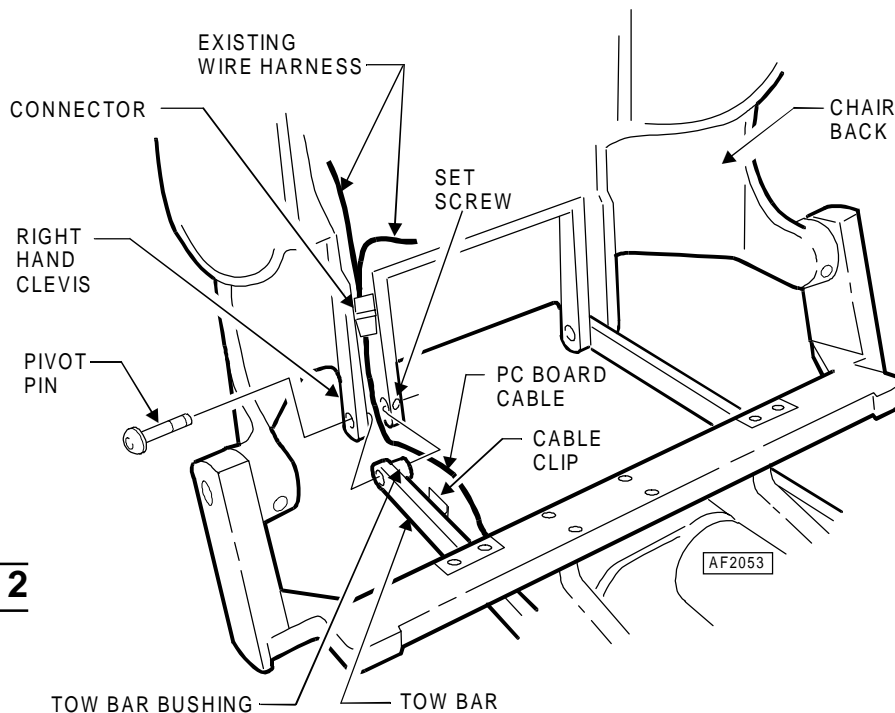


Figure 2

9. Re-install the tow bar to the right clevis and secure the pivot pin by tightening the set screw. Be sure the cable is mounted behind the tow bar bushing (Refer to Figure 2).
10. Coil all excess cable and neatly tie with the plastic cable ties provided for that purpose (See Figure 3).
11. Run the cable through the chair and into the latching duct (See Figure 4).
12. Run the cable out the front of the chair, using the cable clips provided where necessary (See Figure 4).
13. Secure the cable to the front of the chair using the new strain release clamp provide. This clamp can hold both the new cable and the foot control cable (See Figure 5).
14. Connect the extender cable run to the J box.
15. Make connections in the J box with the chair control wiring harness or individual wires, depending on the application. Make connections, color to color, with the connectors provided.

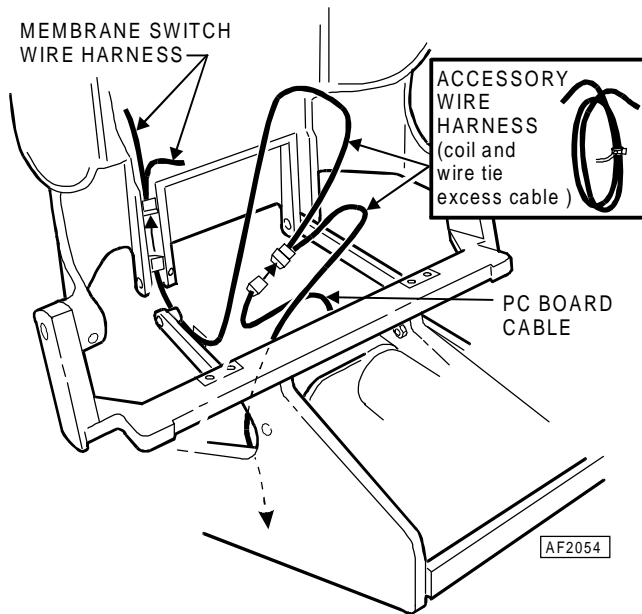


Figure 3

III. OPERATIONAL CHECK

Plug the chair in and operate the chair back through its range of travel and check to be sure the cables will not interfere with the chair back movement.

Operate the chair using the newly installed remote chair control to make sure it is functioning properly (Refer to the chair operation and care manual).

Replace all the covers and upholstery (Refer to the chair installation manual).

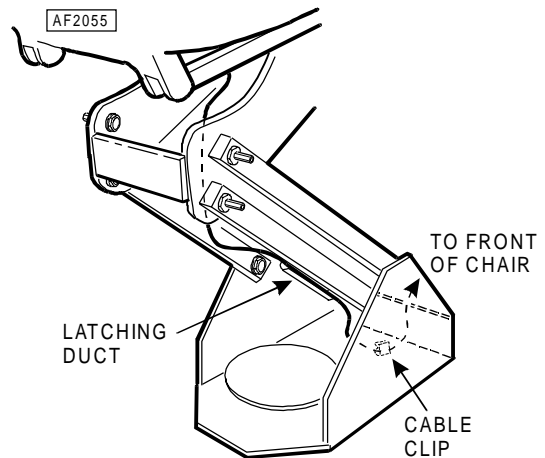


Figure 4

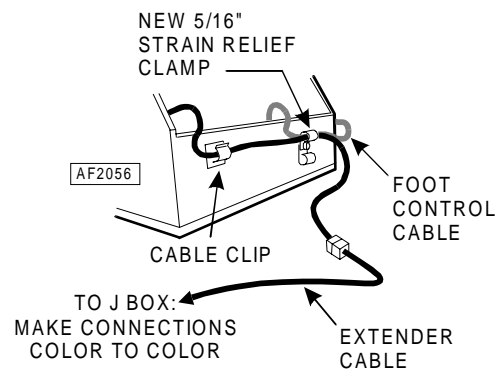


Figure 5

Knight®
by Midmark

Midmark Corporation • P O Box 286 • 60 Vista Drive
Versailles • Ohio • 45380-0286 • www.midmark.com
Phone: 937-526-3662 Fax: 937-526-5542